

## الزجاج حديدي الزجاج الثقيلة المواجهة 50mm " 2

المنتج اسم	المواجهة الزجاجية ، وحاجز الزجاج المواجهة ، أقواس درايزين الزجاج درايزين
نموذج رقم	SF-50G
مواد	الفولاذ المقاوم للصدأ 316
المعالجة السطحية	الساتان نحى أو مرآة مصقولة
البعء	قطر 50 * 12 (مم) قبعة ، 40 * 50 (ملم) الجسم.
البعء لوحة القاعدة	211 * 50 * 12 (ملم)
لسمك الزجاج	15mm خفض
موك	قطع 10

### عرض المنتج:

مرآة مصقولة لامع الزجاج الثقيلة واجب المواجهة





مواجهات زجاجية للخدمة الشاقة لاستخدامها مع ألواح حائطية بسماكة 15 مم

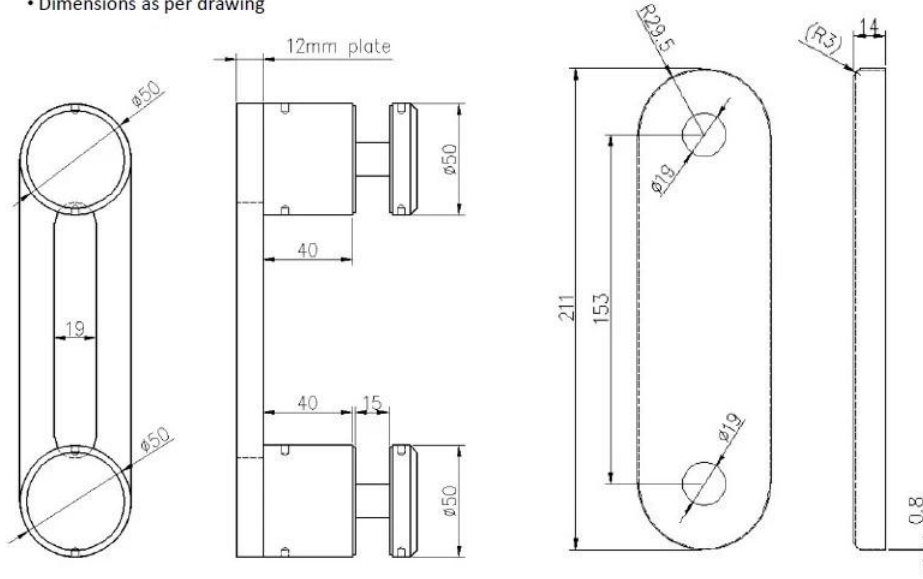




**:رسم تقنى \_ رسم عن طريق الكمبيوتر**

**Specs. For SS 2-ble Buttons Attachment  
System 50mm (w) by 8" (h)**

- stainless steel 316 , polished
- Dimensions as per drawing



**أنواع أخرى من القضبان الزجاجية  
:ضياء 50 مم مواجهة زجاجية في الانتهاء من الساتان**



ضياء 50 مم مواجهة زجاجية في الانتهاء من مرآة:

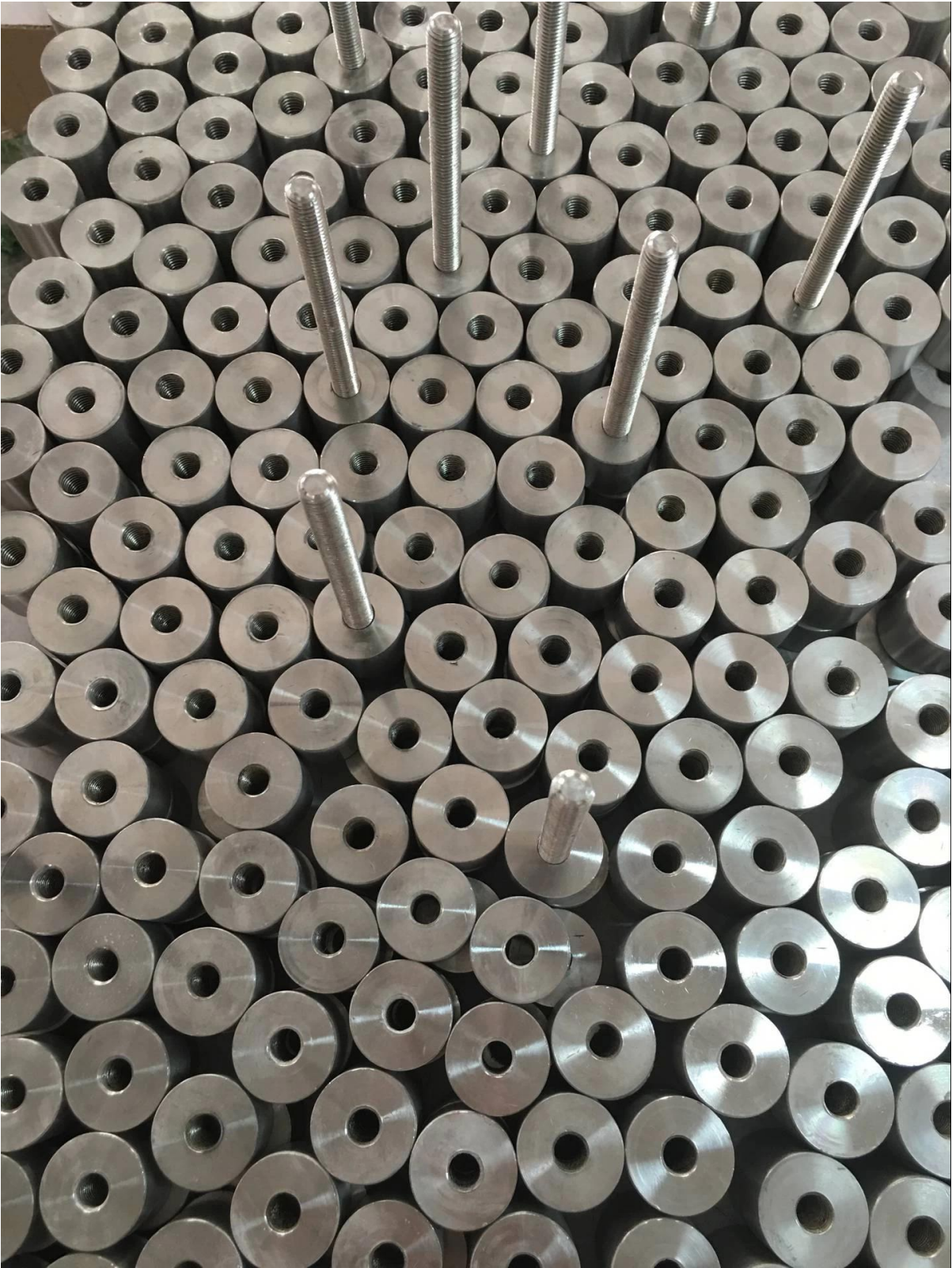
**KEBIL** 科比奥®



مع الترياس ملموسة & أمبير ؛ برغي خشب



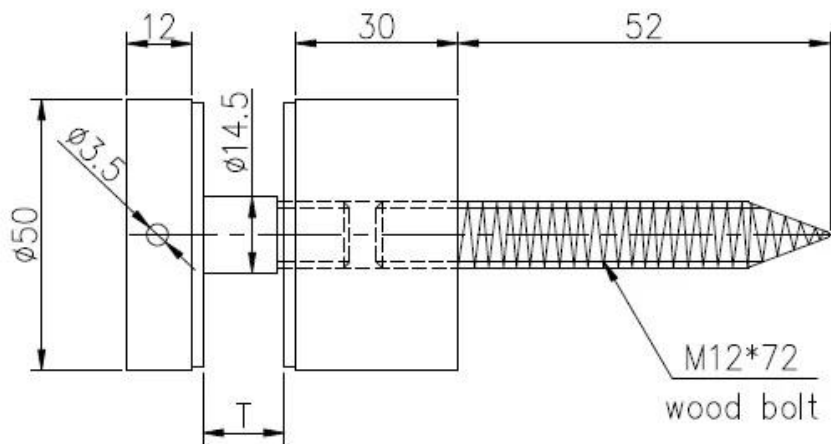
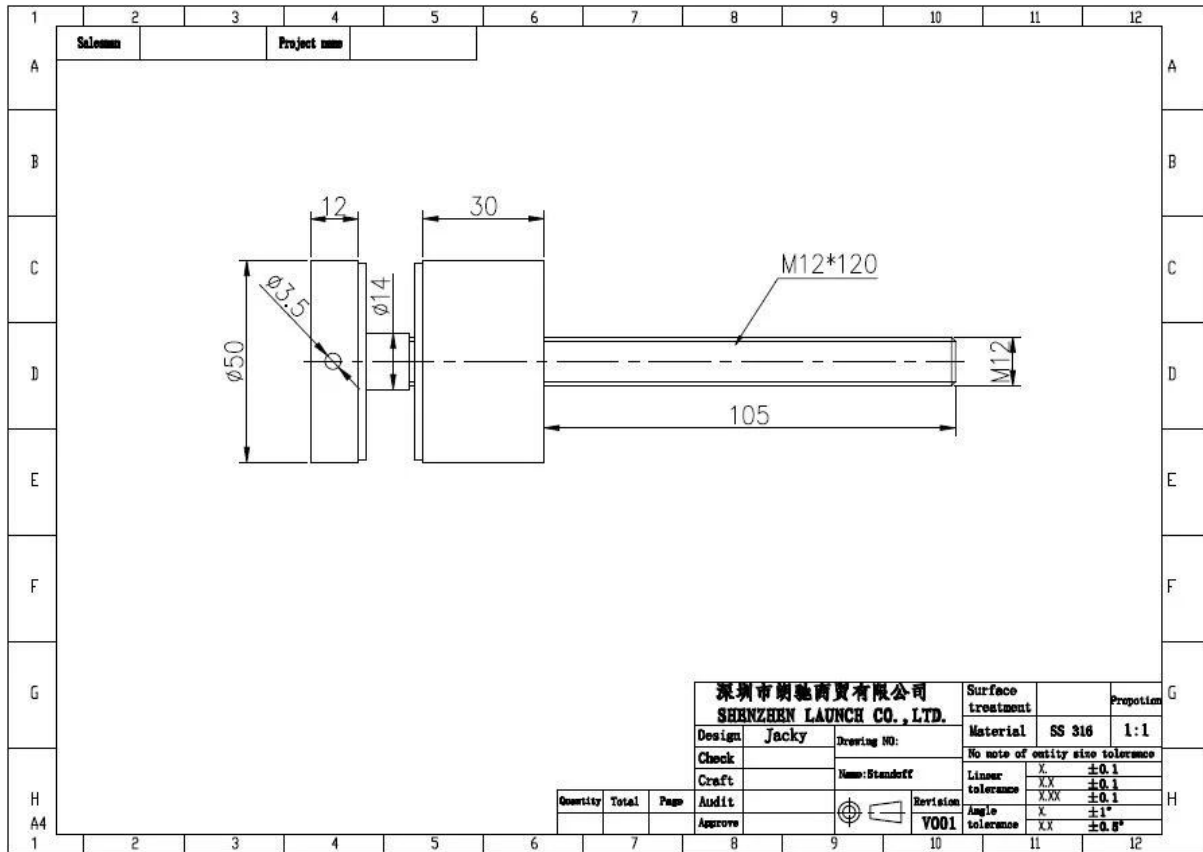
منتجات حقيقية:







رسم تقنى \_ رسم عن طريق الكمبيوتر



<b>深圳市朗馳商貿有限公司</b> <b>SHENZHEN LAUNCH CO., LTD.</b>				Surface treatment		Proportio
Design	Jacky	Drawing NO: SF-68		Material		1:1
Check		Name: Standoff		No note of entity size tolerance		
Craft				Linear tolerance	X	±0.1
Audit				Linear tolerance	XX	±0.1
Approve				Linear tolerance	XXX	±0.1
				Angle tolerance	X	±1°
				Angle tolerance	XX	±0.5°
				Angle tolerance	XXX	±0.5°

### صور المشروع:

المواجهة الزجاجية في الهواء الطلق والداخلية ، تصميم الزجاج بدون إطار المواجهة فرملس ، قوس الفولاذ المقاوم للصدأ الزجاج المواجهة ، دبوس المواجهة الزجاج





**مواقد زجاجية من الفولاذ المقاوم للصدأ لدرابزين زجاجي بدون إطار**



**الفولاذ المقاوم للصدأ لمواجهة ، قوس للألواح الزجاج ، تصميم حديدي**



**معلومات الشركة:**

Shenzhen Launch Co., Ltd was established in 2004, located at Nanshan District, Shenzhen, and one hour by car from Hongkong International Airport. Our main product is high-grade building materials includes stainless steel balustrade post, staircase handrail, balcony guardrail, swimming pool fence and other high-grade building materials. All the products are designed strictly according to the high-end market requirements. We have our own factory in Tangxia Town, Dongguan, has a variety of precision equipment more than 50 sets: CNC lathe, milling machine, punching machine, pipe cutter, argon welder, drilling machine, polisher, etc. which can provide customers with complete product processing services. With the German SPECTRO Spectrometer, we insist on testing every batch of materials to ensure that the material is highly qualified. We also have hardness gauge, secondary element and other test equipment to ensure the products meets customers' requirements.

## ABOUT US

### Our Team



# OUR ADVANTAGE

Please do not hesitate to contact us if you have any requirement regarding our production lines, you can expect a timely reply with professional solutions!



Own factory, shortest lead time.



Can help customers design product drawings based on customer ideas and design engineering installation drawing according to the customer site sketch.



Sample order, trial order acceptable.



Provide material test report to ensure that the material is qualified.



13 years of industry experience, we can help customers recommend the best solution to help customers save cost.

# OUR FACTORY

More than 13 years experience in hardware industry design and processing, we can provide customized services from design to the sample and small batch trial production.



# OUR CERTIFICATE

With premium quality, competitive price and superior service, we won a lot of customers' favor.  
Our products are popular in North America, European and Australia.





# PRODUCTION PROCESS



Casting



CNC lathe



CNC Milling



Stamping



Drilling & Tapping

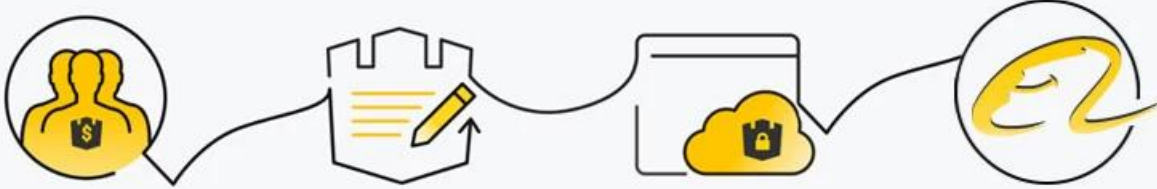


Polishing



# PAYMENT & TRANSPORTATION

Welcome Alibaba Trade Assurance Order!



1 Start an order

2 Negotiate terms with our sales service & confirm order

3 Make payment

4 Alibaba provide full assurance



## FAQ

### 1. What materials do you have?

SS304, SS316, SS316L, Duplex 2205, etc.

### 2. Can you send me your whole price list?

Sorry, as the price related to many factors, such as quantity, material type, surface treatment and so on, we will offer you exact quote after we confirm your detailed requirements.

### 3. Do you offer OEM & ODM service?

Yes, we can make the products according to your technical drawings or samples, we are professional in investment casting, die casting, stamping, CNC machining, etc.

### 4. What kind of payment you accept?

T/T, L/C, PayPal, West Union, etc.

### 5. What is your payment term?

TT(30/70) or LC at sight.

### 6. What is your delivery time?

Within 5 workdays for hot-sale items, 15-25 workdays for batch orders.

### 7. Do you offer after-sales service?

Of course, any question after you purchase our products, we will get back to you within 24 hours.

**اتصل بنا الآن لمزيد من المعلومات**  
**البريد الإلكتروني: sales03@launch-china.cn**  
**Mob: +8615907334556**