

شهادة بابا التحقق من الذهب زائد المورد و 12 سنوات العضوية sgs

COMPANY INTRODUCTION

Verification Type: Supplier Assessment Onsite Check

Country / Region:
Guangdong, China ✓

Year Established:
2004 ✓

Main Products:
CNC Machining Parts, Stamping Pa... ✓

Main Markets:
North America, Oceania, Mid East... ✓

Total Annual Revenue:
confidential ✓

Total Employees:
11 - 50 People ✓

Alibaba.com Gold Plus Supplier

Alibaba.com Gold Plus Supplier

Main Product Lines Verification Report

Presented to

Shenzhen Launch Co., Ltd.
深圳市朗驰商贸有限公司

Company Address	B5003, Building 3, Yilida Building, No. 1092 Nanshan Avenue, Dengliang Community, Nanshan Street, Nanshan District, Shenzhen City, Guangdong Province, China
Consigner of Assessment:	Alibaba
Gold Supplier Member ID:	launch168
Gold Supplier Company Name:	Shenzhen Launch Co., Ltd.
Contact Person:	Mr. Binfeng Gao
Phone Number:	0086-13802569770
Fax Number:	0086-755-86372611
Email:	gbf999@china.com
Website Address (URL):	http://launch-china.en.alibaba.com

Service Provided by SGS
Report No.: 19536352_P+T



Assessment Report

Presented to

Cooperation Company of Shenzhen Launch Co., Ltd.
深圳市朗驰商贸有限公司合作工厂

Gold Supplier & Assessed Company Relationship:	<input type="checkbox"/> Self-owned <input type="checkbox"/> Wholly Owned <input type="checkbox"/> Shareholder/Partner <input type="checkbox"/> Kindred between Owners <input checked="" type="checkbox"/> Cooperation Partner
Company Address	Confidential
City / Country:	Huizhou / China
Consigner of Assessment:	Alibaba & Shenzhen Launch Co., Ltd.
Gold Supplier Member ID:	launch168
Gold Supplier Company Name:	Shenzhen Launch Co., Ltd.
Contact Person:	Confidential
Phone Number:	Confidential
Fax Number:	Confidential
Email:	Confidential
Website Address (URL):	http://launch-china.en.alibaba.com

Service Provided by SGS
Report No.: 19552720_P

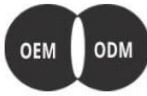


WHY CHOOSE US



15 YEARS EXPERIENCE

We have been manufacturing railing hardwares since 2004.



ONE STOP SERVICE

We provide integrated railing solutions. We manufacture. We deliver.



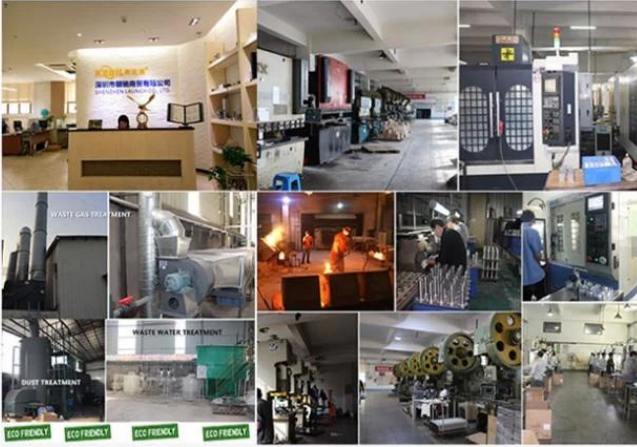
PROFESSIONAL R&D TEAM

We have engineering experts for developing new products.



TOP QUALITY & GOOD PRICE

We are strict on quality control as well as cost evaluation.



ABOUT US

Shenzhen Launch Co., Ltd was established in 2004, located at Nanshan District, Shenzhen, and one hour by car from Hongkong International Airport. Our main products are high-grade building materials including stainless steel balustrade post, staircase handrail, balcony guardrail, swimming pool fence and other high-grade building materials. All the products are designed strictly according to the high-end market requirements. We have our own factory in Tangxia Town, Dongguan, with more than 50 sets of various precision equipments, such as CNC lathe, milling machine, punching machine, pipe cutter, argon welder, drilling machine, polisher, etc. which can provide customers with complete product processing services.

السياج الزجاجي 2205 حنفيات Balustrade 12mm شرفة

السياج الزجاجي 2205 تفاصيل حنفية

- المواد: الفولاذ المقاوم للصدأ دابلكس 2205
- النهاية: مرآة / الساتان / أسود / لون الذهب
- 13.52-10 ملم سمك الزجاج
- تصاعد: الطابق تصاعد / سطح تصاعد / الحفر الأساسية المتصاعدة
- (الصب (جودة عالية: methed مصنع
- موك: 1 قطعة
- السلامة لمضاعفات بوابة تجمع AS1926.1-20012 / AS2820 تلبية أستراليا
- التطبيق: تجمع السياج ، شرفة ، سطح السفينة ، الدرج ، الشرفة ... سياج حديدي زجاجي

عارضات ازياء زجاج سياج 2205 حنفية متاح 4

الطابق تصاعد حنفية



RBM



SBM

حفر الزجاج الأساسية حنفية

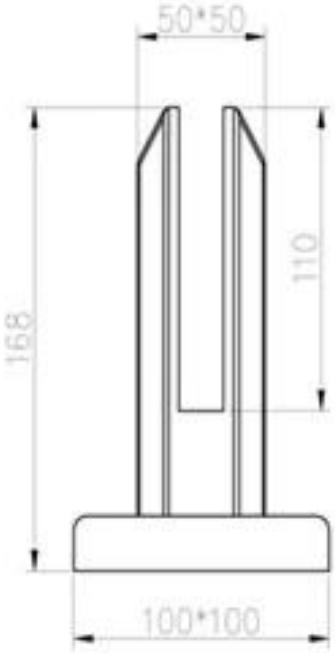
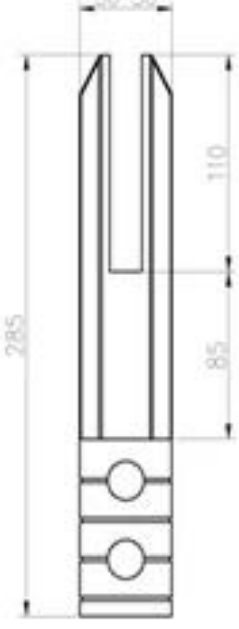
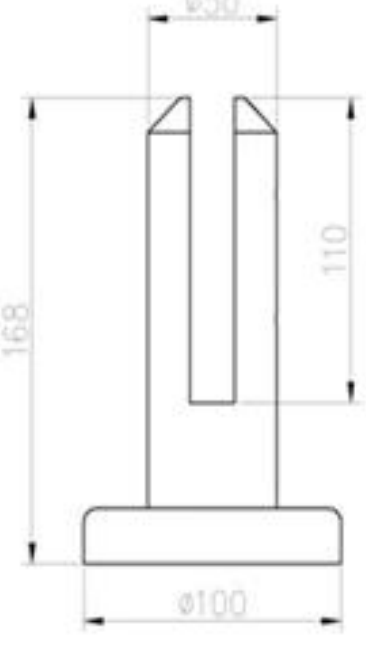
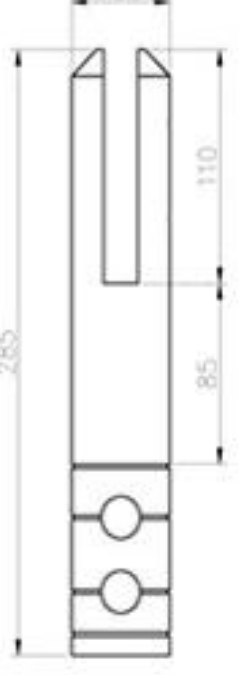


SCM



RCM

Core Drill Duplex 2205 Spigot

	
SBM	SCM
	
RBM	RCM

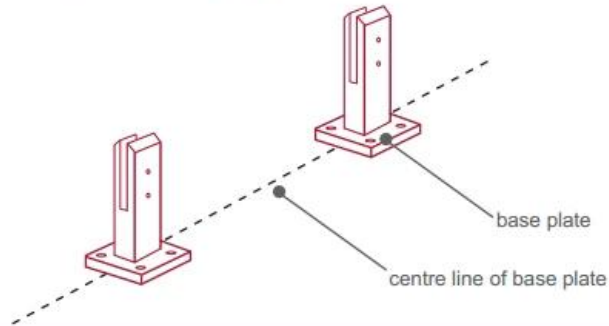
زجاج سباح 2205 حنفية التركيب



fixing method: base plate spigots

Mark out the centre line of proposed glass fence with a chalk line. Determine clamp location based on a sheet size (recommendation on pages 1 & 2). Use base plate as a template to mark out the hole positions and drill holes to suit.

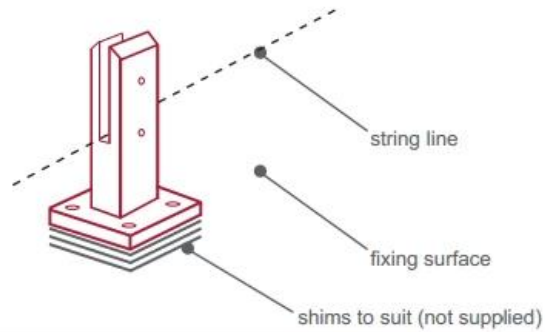
Note: Do not exceed 100mm gaps between glass panels. Optimum gap is 40mm to 60mm



Now the base plated spigots can be fitted to the floor and plumbed via shims (not supplied) under the base plates. Be sure to tighten firmly as the smallest of movement at the base plate will result in noticeable movement at the bottom of the glass fence.

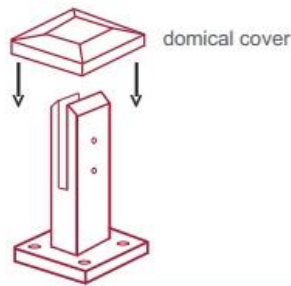
Tip: By setting the two outer spigots of your total span, a string line can be run in the 'throat' of the spigots, giving correct height for all spigots in between

Note: Do not exceed 100mm gap from the fixing surface to the bottom of the glass



When all spigots are installed, slip domical cover the top of the spigot to hide fixings. It will be necessary to turn the adjustment screws on the spigot face all the way in to allow cover to pass over

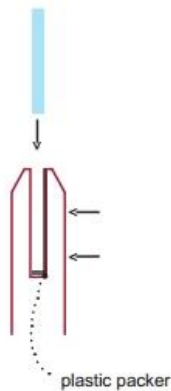
Note: Same installation method applies to round base plate spigot



The glass is then installed to the spigots. Place plastic packers between glass & spigot, at no stage should glass touch the metal

How adjustability works:

1. Place glass in spigot
2. Fix/ tension glass both sides with allen key



زجاج سياج 2205 حنفيه مشروع الصور



آخر منتجات أنت مايو فائدة

- أسود / لون الذهب سياج زجاج 2205 حنفية -
- الفولاذ المقاوم للصدأ غطاء درابزين قابل للإزالة / السد -
- مزلاج مغناطيسي ومفصلي محمل بالربيع -



KEBIL 科比奥®



shine black finish



matte black finish

Marine duplex 2205 electroplate black spigot

KEBIL 科比奥® SHENZHEN LAUNCH CO.LTD
LAUNCH INTERNATIONAL LIMITED





glass to glass latch 90°
GL-90



glass to glass latch 180°
GL-180



glass to wall/square post latch
GL-W



glass to round post
GL-P



G-G2



G-W2



G-R2

اتصل

شكرا لزيارتك ! أي سؤال أو استفسار ، يرجى ترك رسالة. سوف نعود اليكم في غضون 24 ساعة

:أي استفسار عاجل ، يرجى الاتصال بنا أدناه

-الاتصال: doirs

-البريد الإلكتروني: sales04@launch-china.cn

-المكتب: (755-86) 86037559

موبايل / ماذا يكون التطبيق: 13530506265-0086

-النوع: launch_04