



□□□□□□ □□







XXXXXXXXXXXXXXXXXXXX,XXXXXXXXXXXXXXXXXXXX,XXXXXXXXXXXXXXXXXXXX:XXXX XXXXXXXXXXXXXXX XXXXXXXXXXXXXXX

XXXX XXXXXXX XXXXXXXXXXXXXXX XXXXXXXXXXXXXXXXXXXXXXX XXX XXXXXXX XXX XXXXXXXXXXXXXXX

XXXX XXXXXXXXXXXXXXX XXXXXXXXXXXXXXX

Results Summary
 (For details of individual tests, refer to the tables on the following pages.)

ID	Item/Heat No.	Dimensions/Type/Details	Finish	Overall Assessment
14117/01	SSBM316	180mm High, 50mm Square, Base Plate 316 Stainless steel	316L	COMPLIES

Remarks

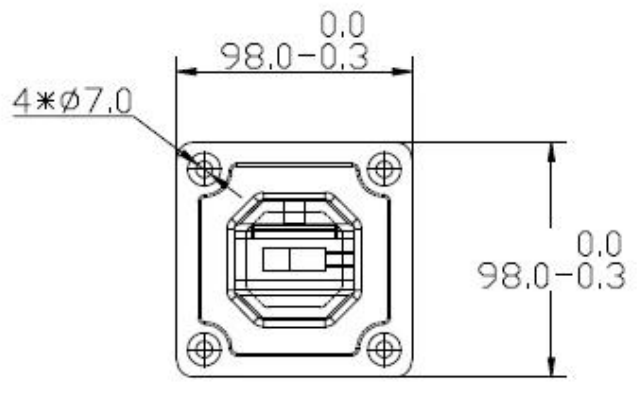
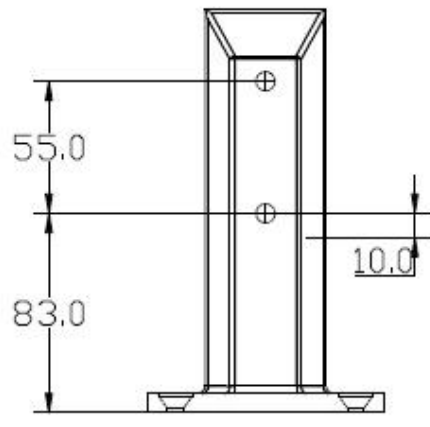
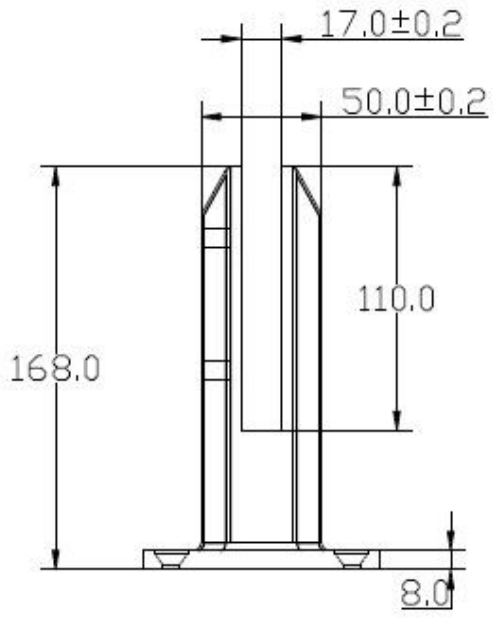
After completion of the testing, the spigot was found to be in sound condition with no breakage, tearing or signs of fracture and no looseness of the fixings.

Colin Lorrimar
 Metallurgical Testing Manager



Accreditation No. ~~14117~~ 14117
 Accredited for compliance
 with ISO/IEC 17025

XXXXXXXXXXXX











□□□□□□□□ □□□□□□□□ □□□□□□□□

-Pc □□□□ □□□□□ □□ □□□□□ 20 .□□□□ □□□□ □□ □□ □□□□□ □□□□□□□□ □□□ □□ □□□□□.

-□□□□ 5-3) □□□ □□/(□□□□ 15-10) □□□□□ □□□□ :□□□□□□ □□□□□□



packing	plastic bag+box+carton
production lead time	30-45 days ; also depending on your qty.
Shippment	 
	 
	 
payment	 

□□□□□□□□ □□□□□□ □□□□



KEBIL 科比奥™

ISO
9001:2008
REGISTERED

Factory Audit



www.launch-china.cn



Shenzhen Launch Co.,Ltd



www.launch-china.cn

□□□□ □□ □□□□ □□□□ □□ □□ □□□□ □□ □□ □□□□.

□□□□ □□ □□□□ □□ □□□□ □□□□ □□□□ □□ □□ □□□□ □□!

KEBIL 科比奥®

深圳市朗驰商贸有限公司
SHENZHEN LAUNCH CO., LTD.

朗驰国际有限公司
LAUNCH INTERNATIONAL LIMITED.

董 萍 Doris Dong

Senior Sales Representative

☎ (86) 135 3050 6265

深圳市南山区南山大道1092号亿利达大厦B区3栋5003

Room 5003, Building 3, Yilida Building, No.1092
Nanshan Road, Nanshan District, Shenzhen, China
postal code 518054

☎ (86-755) 8603 7559

☎ (86-755) 8637 2611

✉ sales04@launch-china.cn

🌐 www.launch-china.com

www.chinabalustrade.com