

Balustradensystem aus rostfreiem Stahl

Spezifikationen:

Produkt Name	Balustrade mit Glastasten, Abstandhalter aus Glas, Abstandhalter für Abstandhalter aus Glas, Abstandhalter aus Glas
Material	Edelstahl 316/304
Oberflächenbehandlung	Satin gebürstet oder hochglanzpoliert
Abmessungen	50 * 12mm Kappe, 50 * 30mm Körper
Dichtung aus Silikongummi	Inbegriffen
Für Glasdicke	10-19 mm
Mouting zu	Untergrund aus Holz oder Beton

Einsatzorte: Glasgeländer im Freien und Glasgeländersystem für Innen

Anwendungsbereiche:

Balkon Glasgeländer

Treppengeländer Design

Terrassenglasgeländer Design usw.

Durchmesser 50 mm Glas Standoff / Taste ein **Satin Finish**:



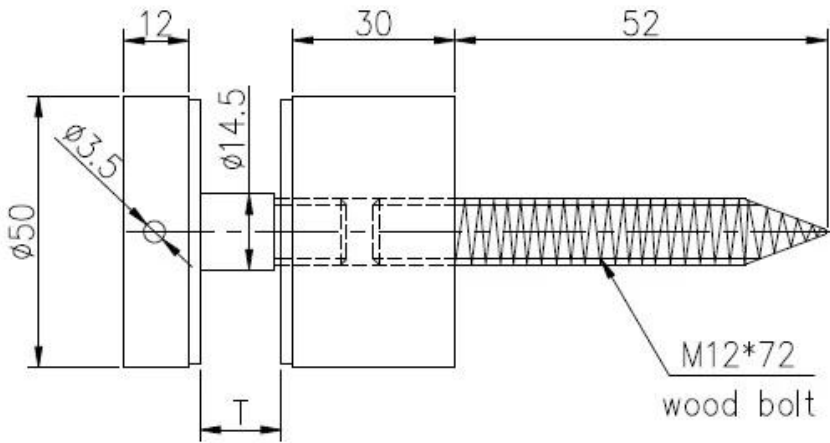
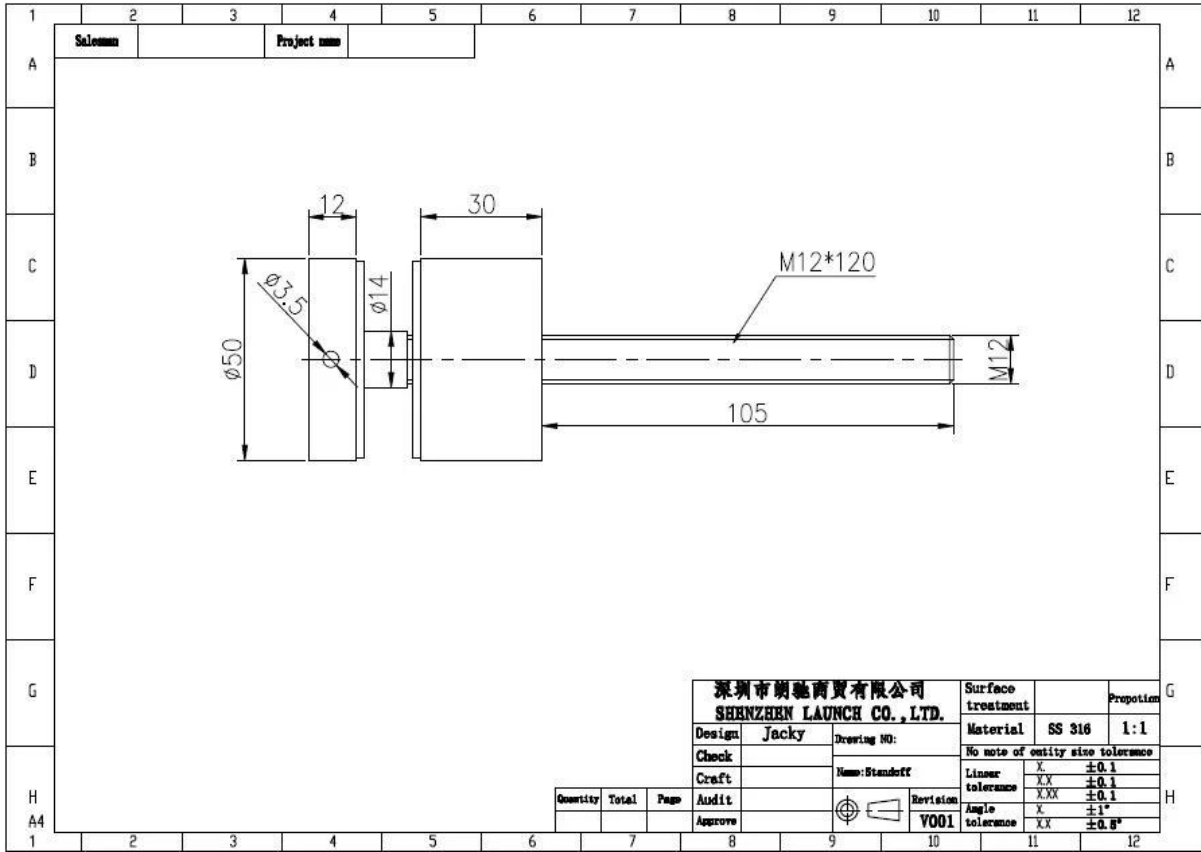
Durchmesser 50 mm Glas Standoff / Taste ein **Spiegel-Finish**:



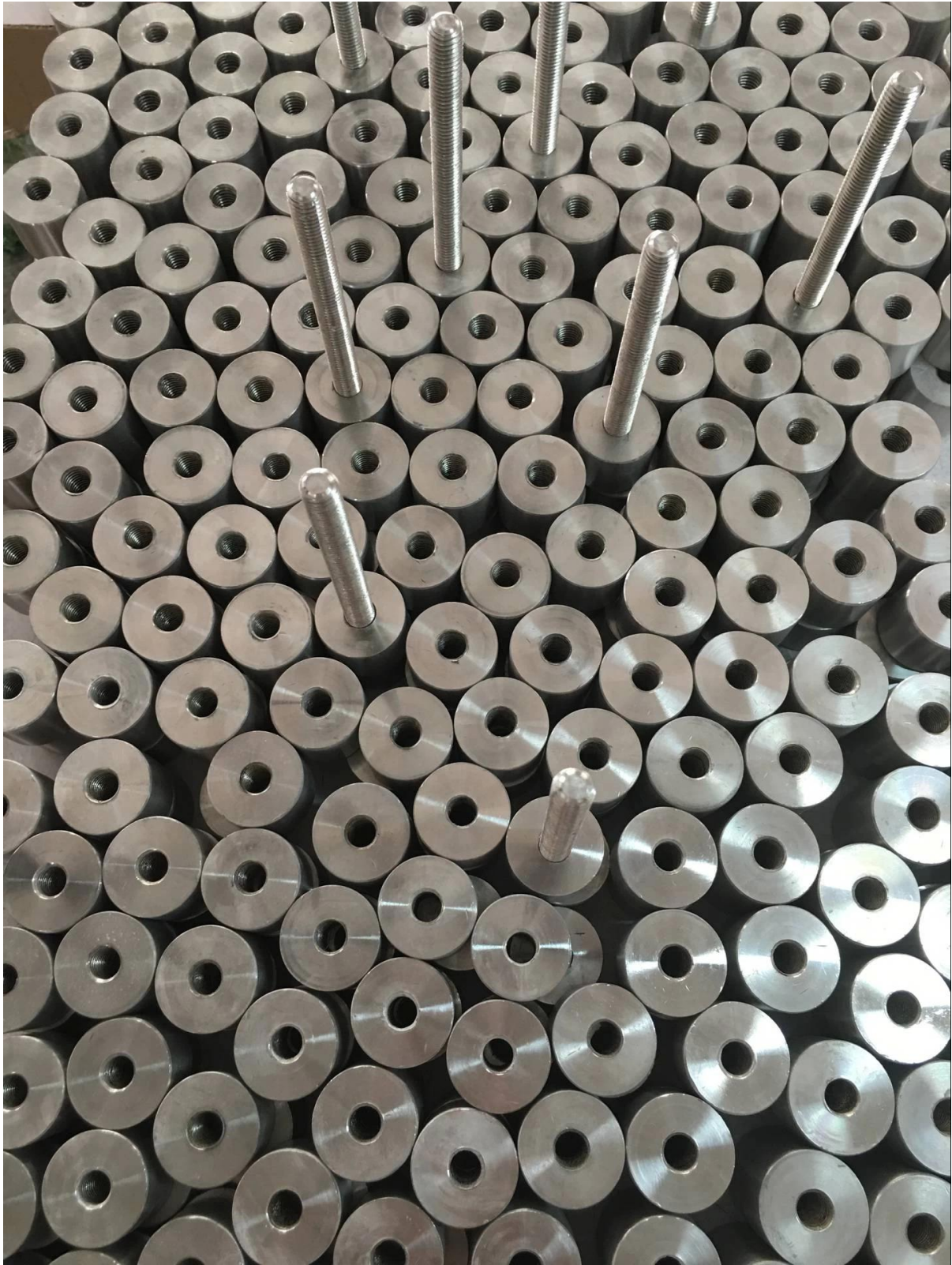
Mit Holzschraube zur Montage auf Holzuntergrund:



Technische Zeichnung:



Quantity			Total	Page	深圳市朗馳商貿有限公司 SHENZHEN LAUNCH CO., LTD. Design Jacky Drawing NO: SF-58 Check Craft Audit Approve		Surface treatment Material No note of entity size tolerance Linear tolerance X ± 0.1 XX ± 0.1 XXX ± 0.1 Angle tolerance X $\pm 1^\circ$ XX $\pm 0.5^\circ$	Proportion 1:1
----------	--	--	-------	------	--	--	---	-------------------





Projektfotos:
Balustradensystem aus rostfreiem Stahl





Edelstahlglasabstandhalter für rahmenlose Glasgeländer



Abstandshalter aus Edelstahl, Halterung für Glasscheiben, Relingdesign



Firmeninfo:

Shenzhen Launch Co., Ltd was established in 2004, located at Nanshan District, Shenzhen, and one hour by car from Hongkong International Airport. Our main product is high-grade building materials includes stainless steel balustrade post, staircase handrail, balcony guardrail, swimming pool fence and other high-grade building materials. All the products are designed strictly according to the high-end market requirements. We have our own factory in Tangxia Town, Dongguan, has a variety of precision equipment more than 50 sets: CNC lathe, milling machine, punching machine, pipe cutter, argon welder, drilling machine, polisher, etc. which can provide customers with complete product processing services. With the German SPECTRO Spectrometer, we insist on testing every batch of materials to ensure that the material is highly qualified. We also have hardness gauge, secondary element and other test equipment to ensure the products meets customers' requirements.

ABOUT US



OUR ADVANTAGE

Please do not hesitate to contact us if you have any requirement regarding our production lines, you can expect a timely reply with professional solutions!



Own factory, shortest lead time.



Can help customers design product drawings based on customer ideas and design engineering installation drawing according to the customer site sketch.



Sample order, trial order acceptable.



Provide material test report to ensure that the material is qualified.



13 years of industry experience, we can help customers recommend the best solution to help customers save cost.

OUR FACTORY

More than 13 years experience in hardware industry design and processing, we can provide customized services from design to the sample and small batch trial production.



OUR CERTIFICATE

With premium quality, competitive price and superior service, we won a lot of customers' favor.
Our products are popular in North America, European and Australia.



PRODUCTION PROCESS



Casting



CNC lathe



CNC Milling



Stamping



Drilling & Tapping

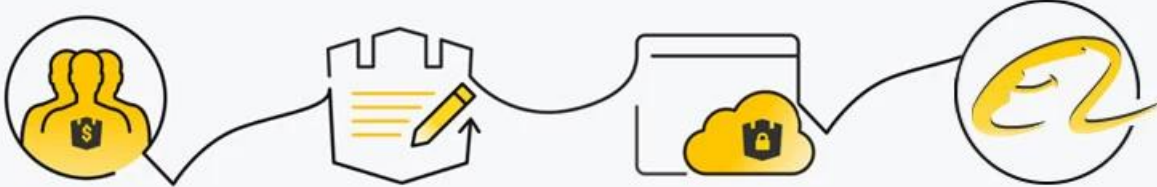


Polishing



PAYMENT & TRANSPORTATION

Welcome Alibaba Trade Assurance Order!



1 Start an order

2 Negotiate terms with our sales service & confirm order

3 Make payment

4 Alibaba provide full assurance



Kontaktieren Sie uns jetzt für weitere Informationen!

E-Mail: sales03@launch-china.cn

Mob: +8615907334556