

**schwarze Farbe Edelstahl runden Glaszapfen, für rahmenlose Schwimmbad  
Fechten, andere Farben ebenfalls erhältlich.**

**Produktbeschreibung**

---

Produkt Mamich	schwarze Farbe Edelstahl runden Glaszapfen
Material	Edelstahl 316 / Duplex 2205
Fertig	Hochglanzpoliert / Satin gebürstet
Zum Glass THickness	8-13,52 mm
Höhe	168mm
Sockelgröße	100x100mm
Nettogewicht	1,08 kg / Stück
Herstellungsmethode	Casting (hohe Qualität)
Verpackungsinformationen	1) Ein Stück in eine Blase Tasche, dann in eine weiße Box 2) 12 Stück in 365x330x230mm Pappkarton 3) Verpackung als Kundenanforderungen
Anwendung	Schwimmbadzaun, Balkon Glasgeländer, Deck rahmenlos Glasgeländer, Treppen
CertifiziertKation	Ja. MAustralien und Neuseeland Standards
Sreichlich	Verfügbar
MOQ	1 Stück
OEM & ODM Bedienung	Verfügbar

**schwarze Farbe Edelstahl runden Glaszapfen Destails**

---

1) Technische Zeichnung des Glaszapfens

2) schwarze Farbe Edelstahl runden Glaszapfen



Andere painting Farben verfügbar







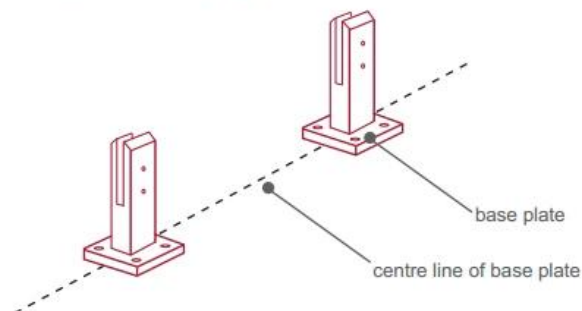
### 3) Installationsanleitung für Duplex 2205 Edelstahl-Quadratdeckglaszapfen



#### fixing method: base plate spigots

Mark out the centre line of proposed glass fence with a chalk line. Determine clamp location based on a sheet size (recommendation on pages 1 & 2). Use base plate as a template to mark out the hole positions and drill holes to suit.

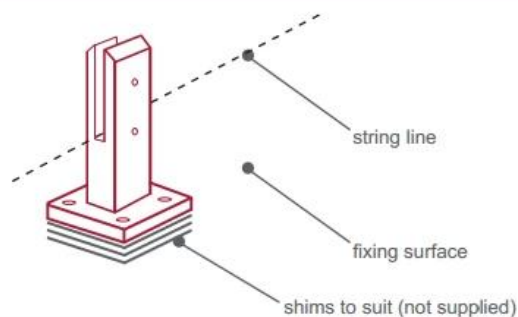
**Note:** Do not exceed 100mm gaps between glass panels. Optimum gap is 40mm to 60mm



Now the base plated spigots can be fitted to the floor and plumbed via shims (not supplied) under the base plates. Be sure to tighten firmly as the smallest of movement at the base plate will result in noticeable movement at the bottom of the glass fence.

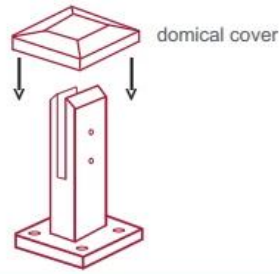
**Tip:** By setting the two outer spigots of your total span, a string line can be run in the 'throat' of the spigots, giving correct height for all spigots in between

**Note:** Do not exceed 100mm gap from the fixing surface to the bottom of the glass



When all spigots are installed, slip domical cover the top of the spigot to hide fixings. It will be necessary to turn the adjustment screws on the spigot face all the way in to allow cover to pass over

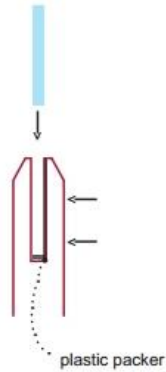
**Note:** Same installation method applies to round base plate spigot



The glass is then installed to the spigots.  
Place plastic packers between glass & spigot, at no stage should glass touch the metal

**How adjustability works:**

1. Place glass in spigot
2. Fix/ tension glass both sides with allen key



## Sicherheitsverpackung für Duplex 2205 Edelstahl Quadrat Deck Glaszapfen

1. Ein Stück in eine Blase Tasche, dann in eine weiße Box.  
12 Stück in 365x330x230mm Pappkarton.
2. Verpackung als Kundenanforderungen.



## Duplex 2205 Edelstahl Quadrat Deckglas Zapfen Projekte

---





## FAQ

---

### 1. was hast du?

SS304, SS316, SS316L, Duplex 2205, ect.

### 2. Kannst du mir deine ganze Preisliste schicken?

Entschuldigung, da der Preis sich auf viele Faktoren wie Menge, Materialart, Oberflächenbehandlung usw. bezieht, bieten wir Ihnen ein genaues Angebot an, nachdem wir Ihre detaillierten Anforderungen bestätigt haben.

### 3. bieten sie OEM & ODM-Dienst?

Ja, wir können die Produkte nach Ihren technischen Zeichnungen oder Mustern herstellen. Wir sind professionell in Feinguss, Druckguss, Stanzen, CNC-Bearbeitung usw.

### 4. Welche Art von Zahlung akzeptieren Sie?

T / T, L / C, PayPal, Westanschluß, etc.

### 5. Was ist ihre zahlungsbedingung?

T / T (30/70) oder L / C in Sichtweite.

### 6. Was ist ihre lieferzeit?

Innerhalb von 5 Werktagen für Hot-Sale-Artikel. 15-25 Werktage für Badbestellungen.

### 7. bieten Sie Kundendienst an?

Natürlich, jede Frage, nachdem Sie unsere Produkte gekauft haben, werden wir Ihnen innerhalb von 24 Stunden antworten.



Firmeninfo.

Shenzhen Launch Co., Ltd was established in 2004, located at Nanshan District, Shenzhen, and one hour by car from Hongkong International Airport. Our main product is high-grade building materials includes stainless steel balustrade post, staircase handrail, balcony guardrail, swimming pool fence and other high-grade building materials. All the products are designed strictly according to the high-end market requirements. We have our own factory in Tangxia Town, Dongguan, has a variety of precision equipment more than 50 sets: CNC lathe, milling machine, punching machine, pipe cutter, argon welder, drilling machine, polisher, etc. which can provide customers with complete product processing services. With the German SPECTRO Spectrometer, we insist on testing every batch of materials to ensure that the material is highly qualified. We also have hardness gauge, secondary element and other test equipment to ensure the products meets customers' requirements.

## ABOUT US



# OUR ADVANTAGE

Please do not hesitate to contact us if you have any requirement regarding our production lines, you can expect a timely reply with professional solutions!



Own factory, shortest lead time.



Can help customers design product drawings based on customer ideas and design engineering installation drawing according to the customer site sketch.



Sample order, trial order acceptable.



Provide material test report to ensure that the material is qualified.



13 years of industry experience, we can help customers recommend the best solution to help customers save cost.

# OUR FACTORY

More than 13 years experience in hardware industry design and processing, we can provide customized services from design to the sample and small batch trial production.



# OUR CERTIFICATE

With premium quality, competitive price and superior service, we won a lot of customers' favor.  
Our products are popular in North America, European and Australia.



# PRODUCTION PROCESS



Casting



CNC lathe



CNC Milling



Stamping



Drilling & Tapping



Polishing

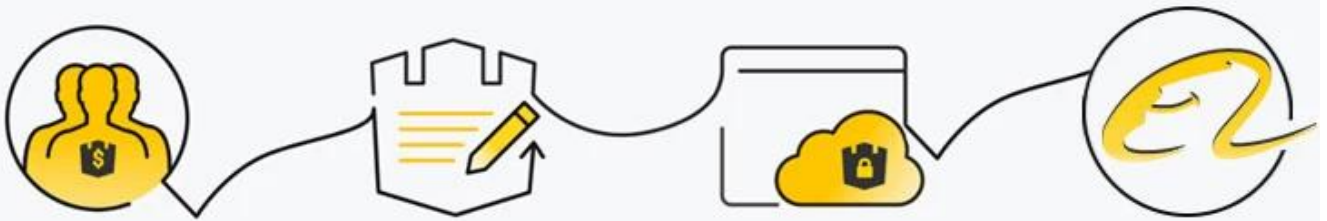


# ***PACKAGING & DELIVERY***



# PAYMENT & TRANSPORTATION

Welcome Alibaba Trade Assurance Order!



- 1 Start an order
- 2 Negotiate terms with our sales service & confirm order
- 3 Make payment
- 4 Alibaba provide full assurance



# CONTACT US

WELCOME TO CONTACT US. WE WILL DO OUR BEST TO HELP YOU!



CELIA CHEN



Email : [sales01@launch-china.cn](mailto:sales01@launch-china.cn)



Skype : [launch-01](https://www.skype.com/people/launch-01)



Mob. [86-13590273543](tel:86-13590273543)

