

Mini riel superior de acero inoxidable 316L 21x25 mm pasamanos ranurado

Tubos y accesorios de pasamanos ranurados de acero inoxidable de 21x25 mm, para sistema de barandilla de vidrio sin marco (piscina, barandillas de balcones, barandillas de terrazas, barandillas de escaleras)

1. Especificaciones para Tubos y accesorios de pasamanos ranurados de acero inoxidable de 21x25 mm

- sistema de pasamanos ranurado simline de tamaño mini cuadrado
- para paneles de vidrio de 10-12 mm de espesor
- con inserto de plástico para vidrio de 10-12 mm de espesor
- acabado espejo o satinado

2. Fotos para Tubos y accesorios de pasamanos ranurados de acero inoxidable de 21x25 mm



25x20mm slotted handrail tube
14x14mm groove



180 degree joiner



90 degree joiner



wall-rail joiner



vertical adjustable joiner



horizontal adjustable joiner

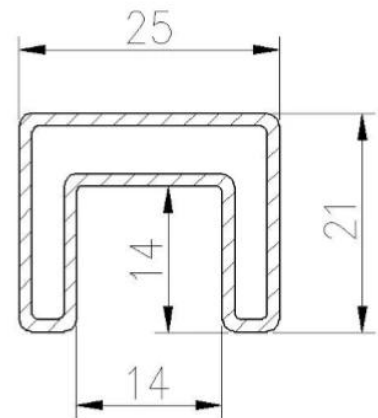


end cap



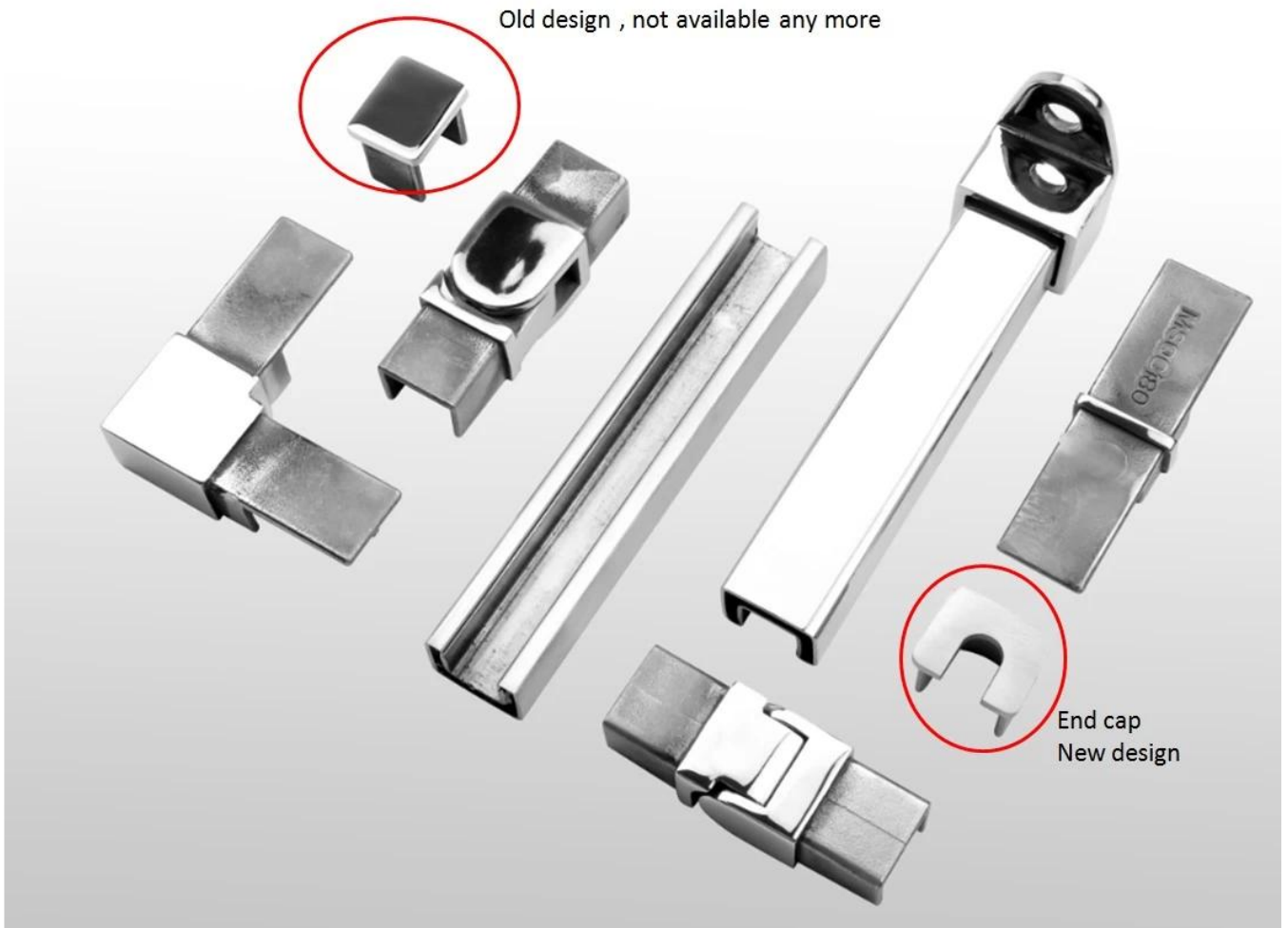
25×21MM, GROOVE 14×14MM

Surface treatment: satin brushed / mirror polished



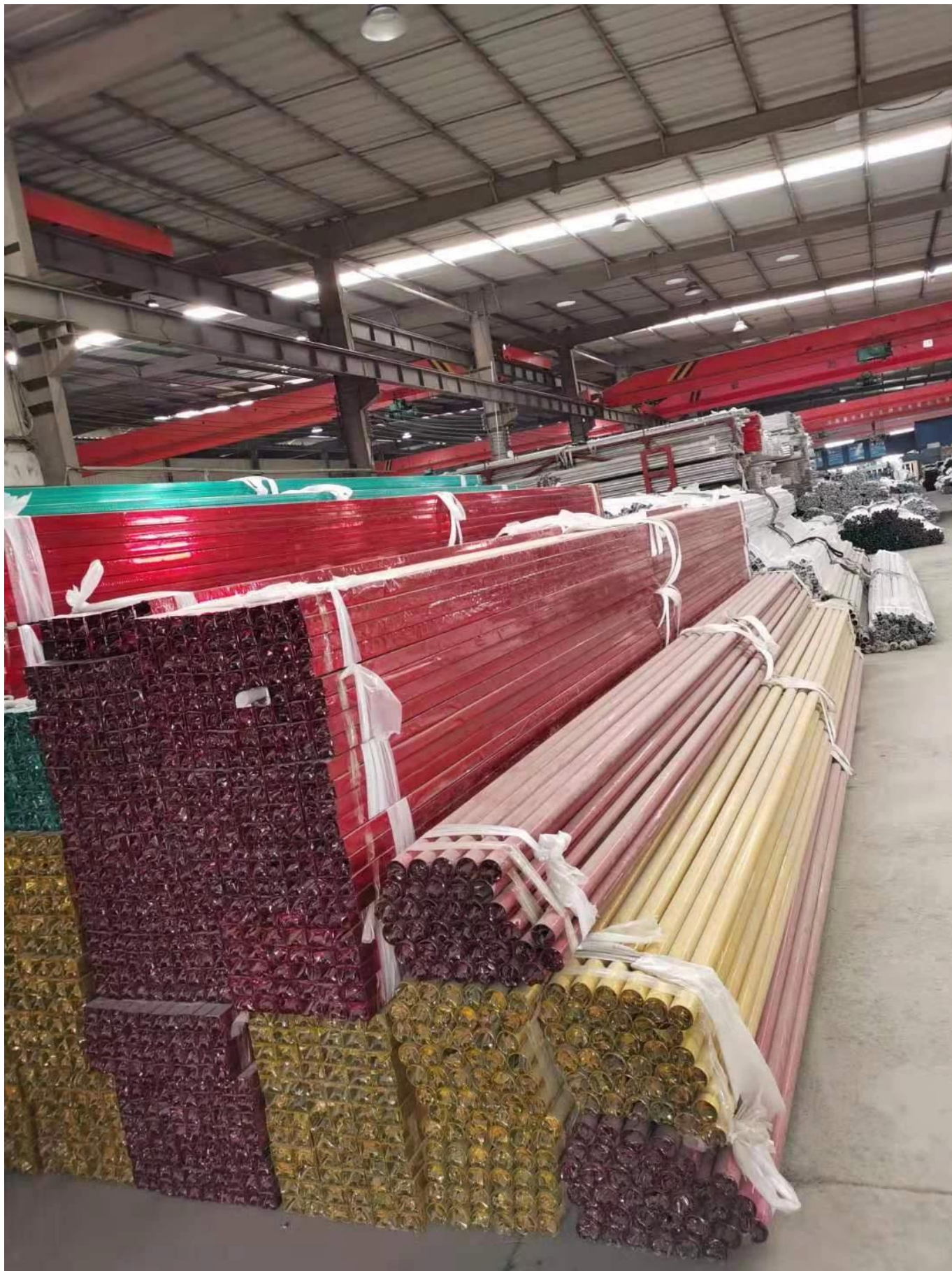
25*21 tube

Model: SQ2521



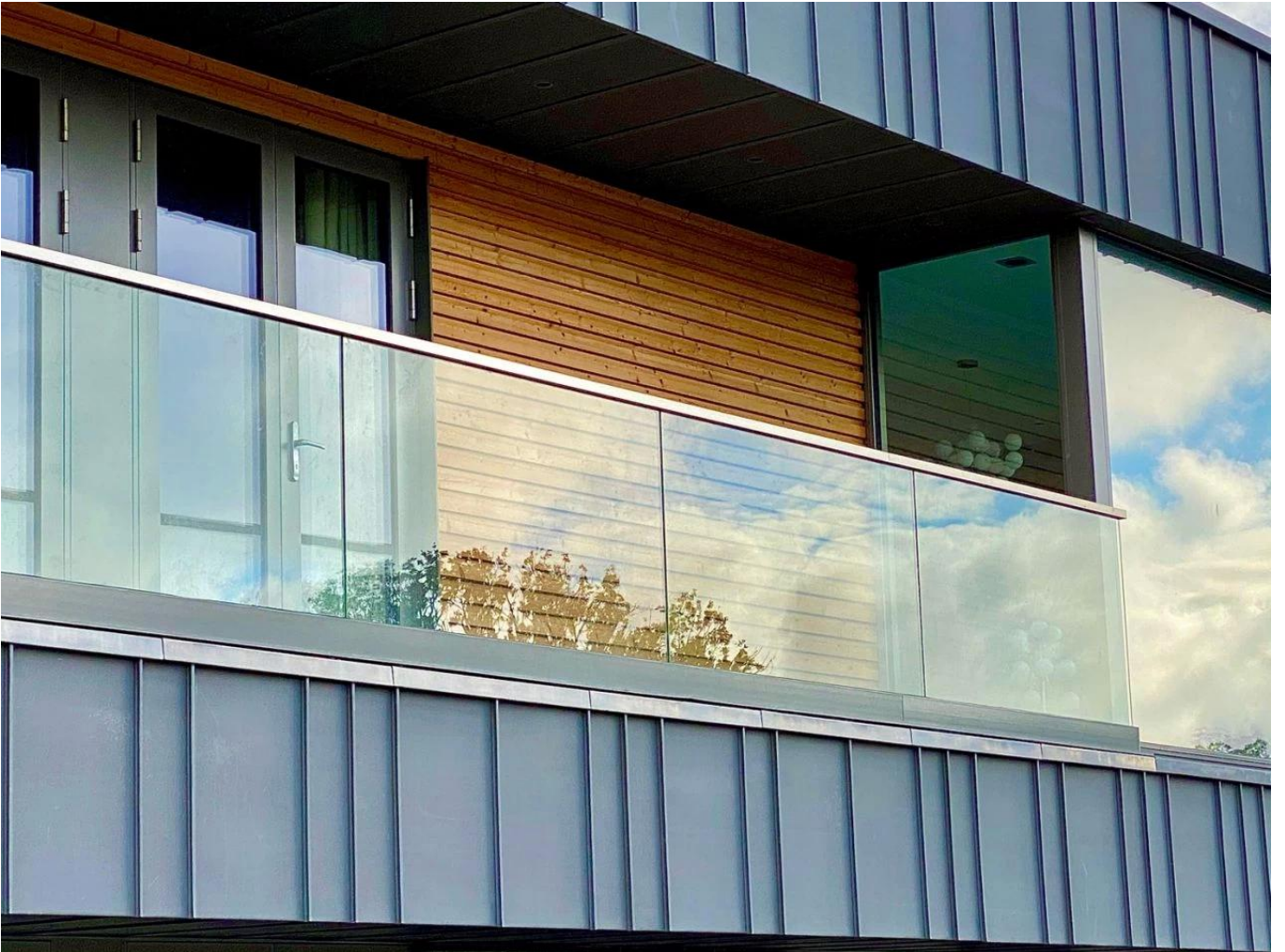
3. Fotos de embalaje para Tubos y accesorios de pasamanos ranurados de acero inoxidable de 21x25 mm



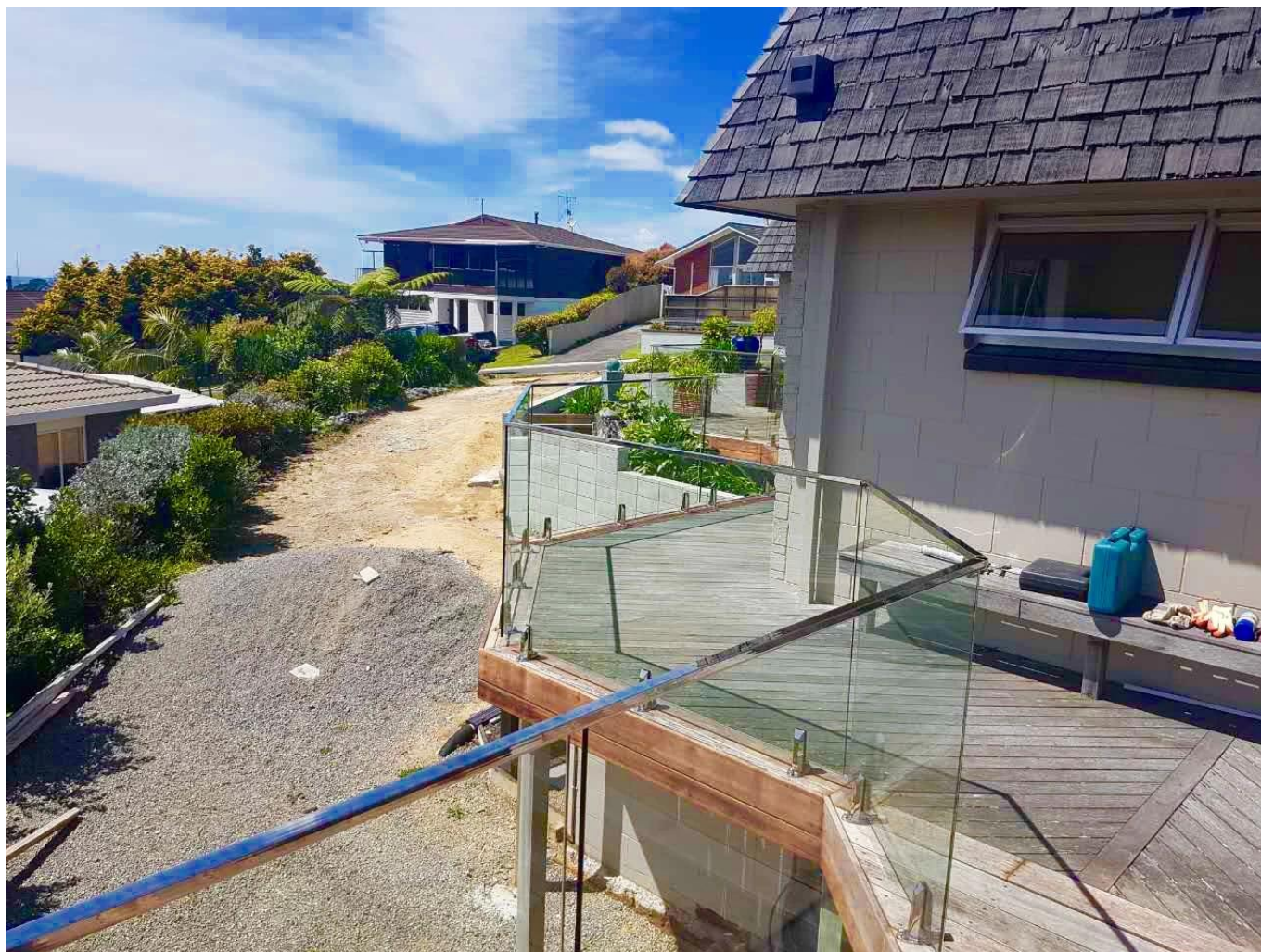




4. Fotos del proyecto para Tubos y accesorios de pasamanos ranurados de acero inoxidable de 21x25 mm







Información de la compañía. para SHENZHEN LAUNCH CO., LTD

Shenzhen Launch Co., Ltd was established in 2004, located at Nanshan District, Shenzhen, and one hour by car from Hongkong International Airport. Our main product is high-grade building materials includes stainless steel balustrade post, staircase handrail, balcony guardrail, swimming pool fence and other high-grade building materials. All the products are designed strictly according to the high-end market requirements. We have our own factory in Tangxia Town, Dongguan, has a variety of precision equipment more than 50 sets: CNC lathe, milling machine, punching machine, pipe cutter, argon welder, drilling machine, polisher, etc. which can provide customers with complete product processing services. With the German SPECTRO Spectrometer, we insist on testing every batch of materials to ensure that the material is highly qualified. We also have hardness gauge, secondary element and other test equipment to ensure the products meets customers' requirements.

ABOUT US



OUR ADVANTAGE

Please do not hesitate to contact us if you have any requirement regarding our production lines, you can expect a timely reply with professional solutions!



Own factory, shortest lead time.



Can help customers design product drawings based on customer ideas and design engineering installation drawing according to the customer site sketch.



Sample order, trial order acceptable.



Provide material test report to ensure that the material is qualified.



13 years of industry experience, we can help customers recommend the best solution to help customers save cost.

OUR FACTORY

More than 13 years experience in hardware industry design and processing, we can provide customized services from design to the sample and small batch trial production.



PRODUCTION PROCESS



Casting



CNC lathe



CNC Milling



Stamping



Drilling & Tapping



Polishing



PACKAGING & DELIVERY



PAYMENT & TRANSPORTATION

Welcome Alibaba Trade Assurance Order!



- 1 Start an order
- 2 Negotiate terms with our sales service & confirm order
- 3 Make payment
- 4 Alibaba provide full assurance



FAQ

1. What materials do you have?

SS304, SS316, SS316L, Duplex 2205, etc.

2. Can you send me your whole price list?

Sorry, as the price related to many factors, such as quantity, material type, surface treatment and so on, we will offer you exact quote after we confirm your detailed requirements.

3. Do you offer OEM & ODM service?

Yes, we can make the products according to your technical drawings or samples, we are professional in investment casting, die casting, stamping, CNC machining, etc.

4. What kind of payment you accept?

T/T, L/C, PayPal, West Union, etc.

5. What is your payment term?

TT(30/70) or LC at sight.

6. What is your delivery time?

Within 5 workdays for hot-sale items, 15-25 workdays for batch orders.

7. Do you offer after-sales service?

Of course, any question after you purchase our products, we will get back to you within 24 hours.

Contáctenos libremente si tiene alguna pregunta o necesita más detalles.

Wendy: sales04@launch-china.cn

Teléfono / Wechat / WhatsApp: +8615989339827