

## Tensor de cable de acero inoxidable, accesorios de barandilla de cable, accesorios de cable

Modelo No.	T803
Material	Acero inoxidable 304/316.
Tratamiento de superficies	Satinado cepillado o pulido espejo.
Tipo	Tipo sólido, swageless
Instalación	Fácil instalación de bricolaje, no necesita arrugador hidráulico.
Para diametro de cable	3 mm, 4 mm, 5 mm o 6 mm
Solicitud	Balcón / Terraza / Escalera / Porche / Veranda, Barandilla, diseños de pasamanos

Producto Fotos:

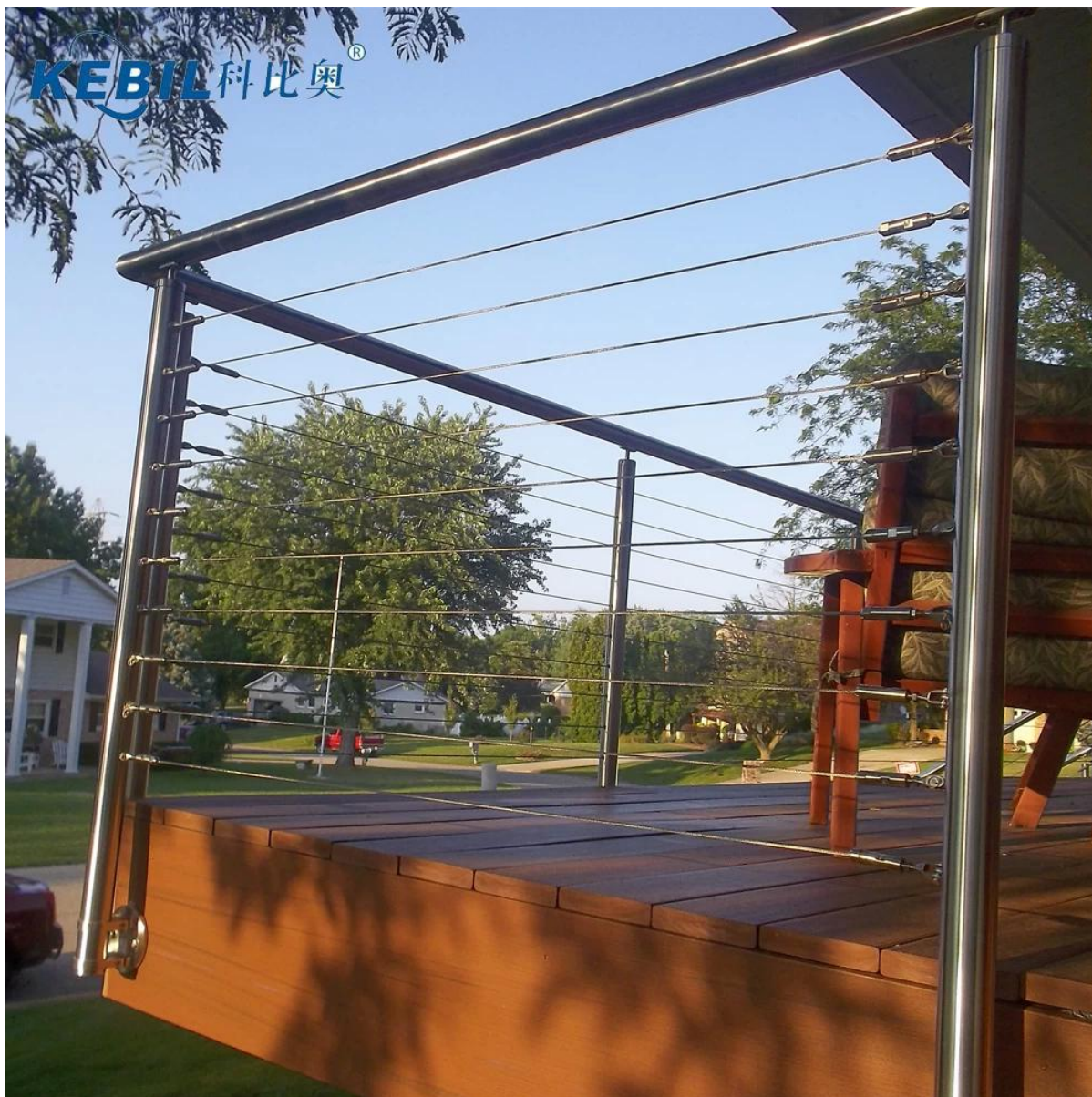




Con tornillo de rosca para instalar en postes de balaustrada de acero / acero inoxidable:



**M6\*30mm thread**



**Con tornillos de madera para instalar en postes de balaustrada de madera:**







## Instalación Instrucciones:

T803 cable fitting , installation instructions

Type 1: without hydraulic crimper



Type 2: with hydraulic crimper



Mount to steel or concrete

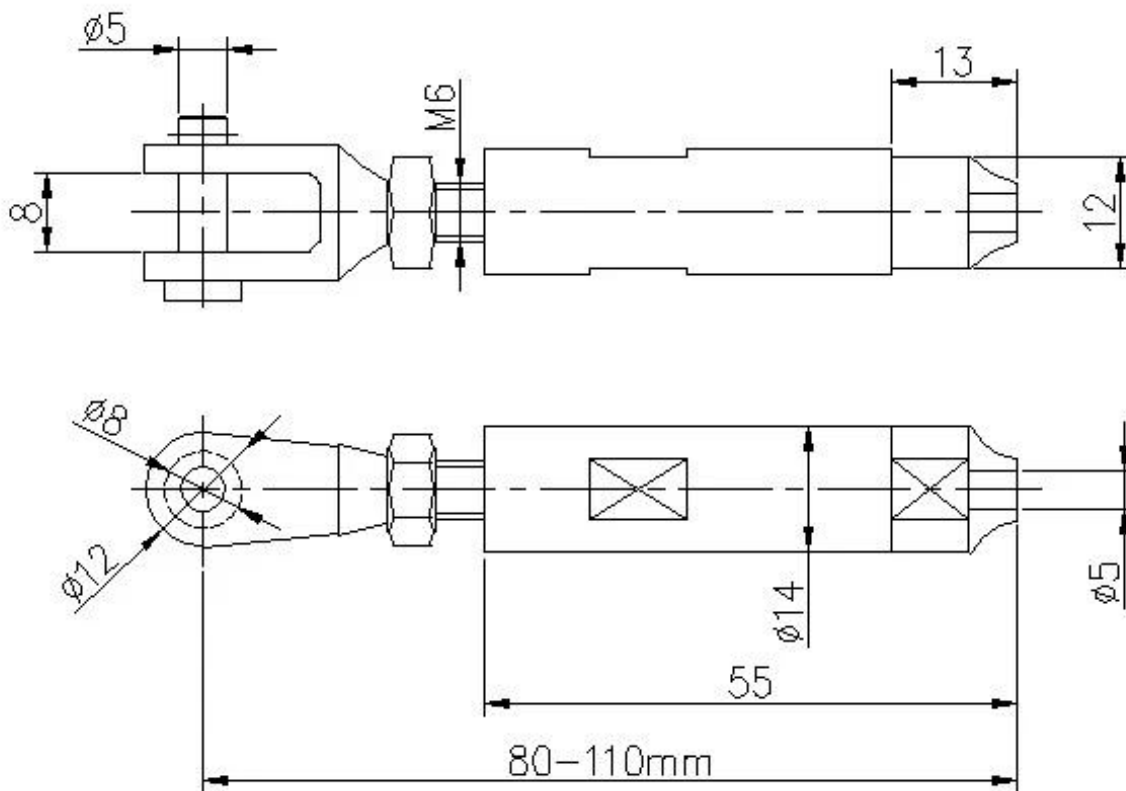


Wood screws , for wood mount

Hydraulic crimper



## Dibujo técnico:



### Embalaje:



El acero inoxidable tipo 316 tiene la mejor resistencia a la corrosión entre los aceros inoxidables estándar. Resiste las picaduras y la corrosión de la mayoría de los productos químicos, y es especialmente resistente a la corrosión del agua salada.

Estos pueden ser utilizados para una variedad de aplicaciones. Veleros y yates,

**barandillas, y para velas de sombra.**

**1) Material: acero inoxidable 316 o acero inoxidable 304**

**2) Acabado superficial: altamente pulido o satinado cepillado**

**3) Estándar: Métrico y UNF**

**4) Diseño del cliente: nuestro experimentado equipo de ingenieros puede desarrollar los productos y fabricarlos de acuerdo con muestras, dibujos o solo ideas.**

**5) Entrega: por mar, por aire o por servicio expreso**

**6) Término de precio: FOB o CIF**

**7) Tamaños: de 3 mm a 6 mm o según sus peticiones**

**8) Tipo: Cabezal avellanado estampado, extremo de cabeza plana estampado y extremo de cabeza de cúpula estampado**

**9) Embalaje: bolsas de polietileno limpias y cartones y paletas o según las solicitudes**

**10) Para un ajustador de swage más, por favor envíenos un correo electrónico para el catálogo completo**



Shenzhen Launch Co., Ltd was established in 2004, located at Nanshan District, Shenzhen, and one hour by car from Hongkong International Airport. Our main product is high-grade building materials includes stainless steel balustrade post, staircase handrail, balcony guardrail, swimming pool fence and other high-grade building materials. All the products are designed strictly according to the high-end market requirements. We have our own factory in Tangxia Town, Dongguan, has a variety of precision equipment more than 50 sets: CNC lathe, milling machine, punching machine, pipe cutter, argon welder, drilling machine, polisher, etc. which can provide customers with complete product processing services. With the German SPECTRO Spectrometer, we insist on testing every batch of materials to ensure that the material is highly qualified. We also have hardness gauge, secondary element and other test equipment to ensure the products meets customers' requirements.

## ABOUT US





# OUR ADVANTAGE

Please do not hesitate to contact us if you have any requirement regarding our production lines, you can expect a timely reply with professional solutions!



Own factory, shortest lead time.



Can help customers design product drawings based on customer ideas and design engineering installation drawing according to the customer site sketch.



Sample order, trial order acceptable.



Provide material test report to ensure that the material is qualified.



13 years of industry experience, we can help customers recommend the best solution to help customers save cost.

# OUR FACTORY

More than 13 years experience in hardware industry design and processing, we can provide customized services from design to the sample and small batch trial production.



# OUR CERTIFICATE

With premium quality, competitive price and superior service, we won a lot of customers' favor.  
Our products are popular in North America, European and Australia.



# PRODUCTION PROCESS



Casting



CNC lathe



CNC Milling



Stamping



Drilling & Tapping



Polishing



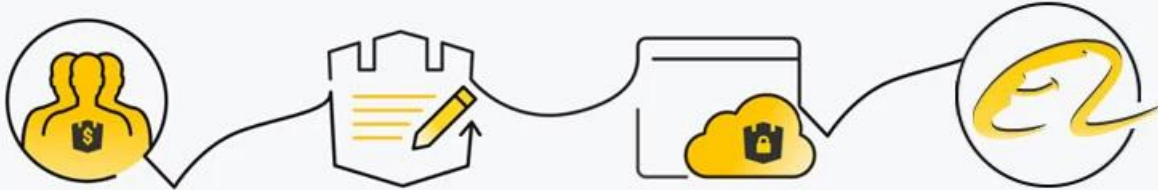


# **PACKAGING & DELIVERY**



# PAYMENT & TRANSPORTATION

Welcome Alibaba Trade Assurance Order!



1 Start an order

2 Negotiate terms with our sales service & confirm order

3 Make payment

4 Alibaba provide full assurance



Contáctenos para más información:

Eve Chow

Sales representative

M : +86 159 0733 4556

T : +86 755 8603 7559

E : sales03@launch-china.cn

A : B5-5003, Yilida Bldg, Nanshan District, Shenzhen

**MB / Whatsapp: +8615907334556**

**Correo electrónico: sales03@launch-china.cn**