

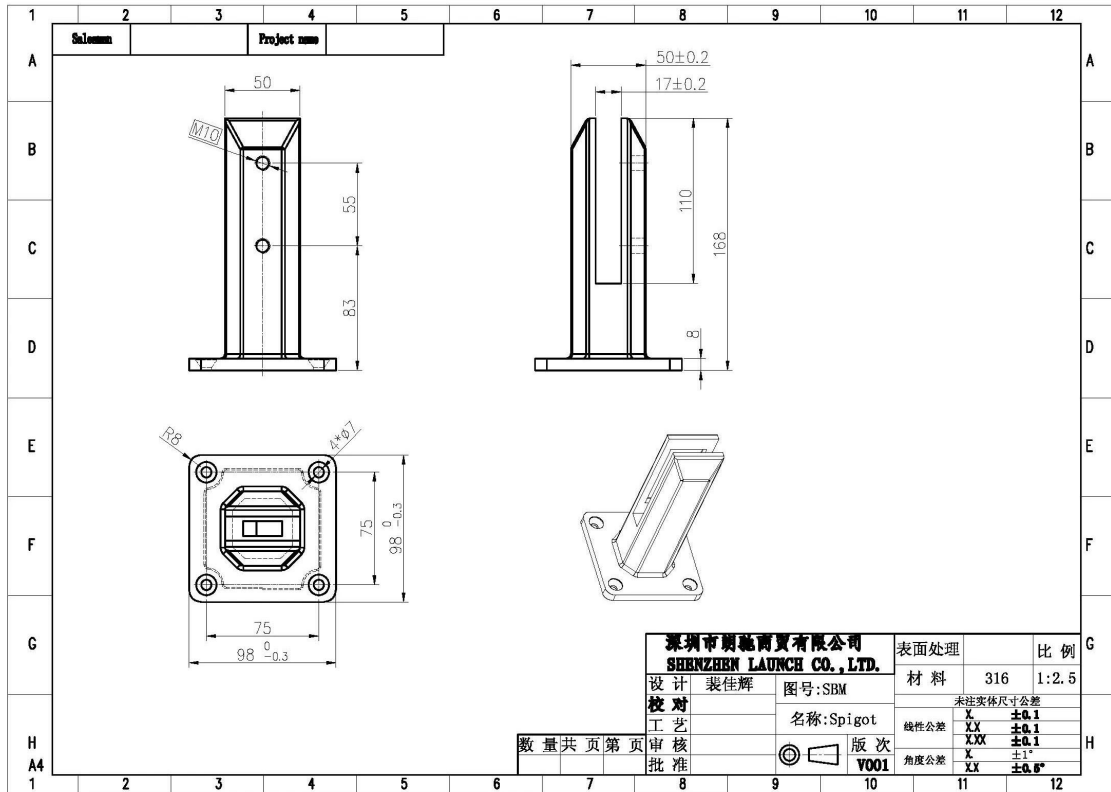
Espita de vidrio de cubierta cuadrada dúplex 2205 acero inoxidable para barandas de vidrio sin marco para piscina, baclony, terarce, escalera, etc.

Descripción del producto

Producto Mayo	dúplex 2205 acero inoxidable cubierta cuadrada espita de vidrio
Material	Acero inoxidable 316 / dúplex 2205
Terminar	Espejo pulido / satinado cepillado
por Glass Thickness	8-13.52 mm
Altura	168mm
tamaño de base de espiga	100x100mm
Peso neto	1.577 kg / pieza
Método de fabricación	Casting (alta calidad)
detalles del empaque	1) Una pieza en un bolso de burbuja, luego en una caja blanca 2) 12 piezas en cartón de cartón 365x330x230mm 3) Embalaje como requisitos de los clientes
Solicitud	Valla de la piscina, barandilla de vidrio del balcón, cubierta sin marco barandilla de vidrio, escaleras
doertificación	Sí. METROeet Australia y Nueva Zelanda estándares
Samplio	Disponible
MOQ	1 PC
OEM y & ODM Servicio	Disponible

dúplex 2205 acero inoxidable cubierta cuadrada espita de vidrio Destails

1) Dibujo técnico de espita de vidrio



2) espiga de vidrio de cubierta cuadrada dúplex 2205 de acero inoxidable

KEBIL 科比奥®







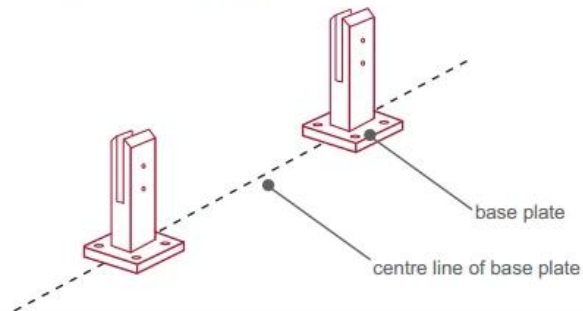
3) Guía de instalación para espita de vidrio de cubierta cuadrada dúplex 2205 de acero inoxidable



fixing method: base plate spigots

Mark out the centre line of proposed glass fence with a chalk line. Determine clamp location based on a sheet size (recommendation on pages 1 & 2). Use base plate as a template to mark out the hole positions and drill holes to suit.

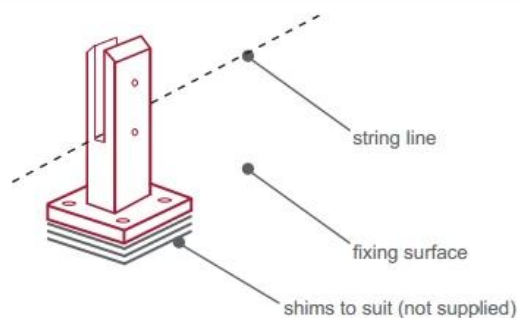
Note: Do not exceed 100mm gaps between glass panels. Optimum gap is 40mm to 60mm



Now the base plated spigots can be fitted to the floor and plumbed via shims (not supplied) under the base plates. Be sure to tighten firmly as the smallest of movement at the base plate will result in noticeable movement at the bottom of the glass fence.

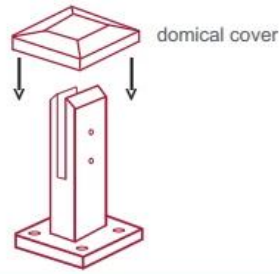
Tip: By setting the two outer spigots of your total span, a string line can be run in the 'throat' of the spigots, giving correct height for all spigots in between

Note: Do not exceed 100mm gap from the fixing surface to the bottom of the glass



When all spigots are installed, slip domical cover the top of the spigot to hide fixings. It will be necessary to turn the adjustment screws on the spigot face all the way in to allow cover to pass over

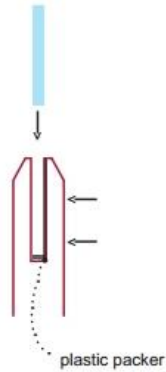
Note: Same installation method applies to round base plate spigot



The glass is then installed to the spigots. Place plastic packers between glass & spigot, at no stage should glass touch the metal

How adjustability works:

1. Place glass in spigot
2. Fix/ tension glass both sides with allen key



Embalaje de seguridad para espiga de cristal de cubierta cuadrada de acero inoxidable dúplex 2205

1. Una pieza en un bolso de burbuja, luego en una caja blanca.
12 piezas en cartón de cartón 365x330x230mm.
2. Embalaje como requisitos del cliente.



espita de vidrio de cubierta cuadrada dúplex 2205 acero inoxidable
Proyectos





Preguntas más frecuentes

1. ¿Qué material tienes?

SS304, SS316, SS316L, dúplex 2205, ect.

2. ¿Me puede enviar su lista de precios completa?

Lo sentimos, ya que el precio está relacionado con muchos factores, como la cantidad, el tipo de material, el tratamiento de la superficie, etc., le ofreceremos un presupuesto exacto después de que confirmemos sus requisitos detallados.

3. ¿Ofrecen OEM y Servicio ODM?

Sí, podemos hacer los productos de acuerdo con sus dibujos técnicos o muestras. Somos profesionales en fundición de inversión, fundición a presión, estampado, mecanizado CNC, etc.

4. ¿Qué tipo de pago acepta?

T / T, L / C, PayPal, West Union, etc.

5. ¿Cuál es su plazo de pago?

T / T (30/70) o L / C a primera vista.

6. ¿Cuál es su tiempo de entrega?

Dentro de 5 días hábiles para artículos de venta caliente. 15-25 días laborables para pedidos de baño.

7. ¿Ofrecen servicio post-venta?

Por supuesto, cualquier pregunta posterior a la compra de nuestros productos, le

responderemos dentro de las 24 horas.

Información de la compañía.

Shenzhen Launch Co., Ltd was established in 2004, located at Nanshan District, Shenzhen, and one hour by car from Hongkong International Airport. Our main product is high-grade building materials includes stainless steel balustrade post, staircase handrail, balcony guardrail, swimming pool fence and other high-grade building materials. All the products are designed strictly according to the high-end market requirements. We have our own factory in Tangxia Town, Dongguan, has a variety of precision equipment more than 50 sets: CNC lathe, milling machine, punching machine, pipe cutter, argon welder, drilling machine, polisher, etc. which can provide customers with complete product processing services. With the German SPECTRO Spectrometer, we insist on testing every batch of materials to ensure that the material is highly qualified. We also have hardness gauge, secondary element and other test equipment to ensure the products meets customers' requirements.

ABOUT US



OUR ADVANTAGE

Please do not hesitate to contact us if you have any requirement regarding our production lines, you can expect a timely reply with professional solutions!



Own factory, shortest lead time.



Can help customers design product drawings based on customer ideas and design engineering installation drawing according to the customer site sketch.



Sample order, trial order acceptable.



Provide material test report to ensure that the material is qualified.



13 years of industry experience, we can help customers recommend the best solution to help customers save cost.

OUR FACTORY

More than 13 years experience in hardware industry design and processing, we can provide customized services from design to the sample and small batch trial production.



OUR CERTIFICATE

With premium quality, competitive price and superior service, we won a lot of customers' favor.
Our products are popular in North America, European and Australia.



PRODUCTION PROCESS



Casting



CNC lathe



CNC Milling



Stamping



Drilling & Tapping



Polishing

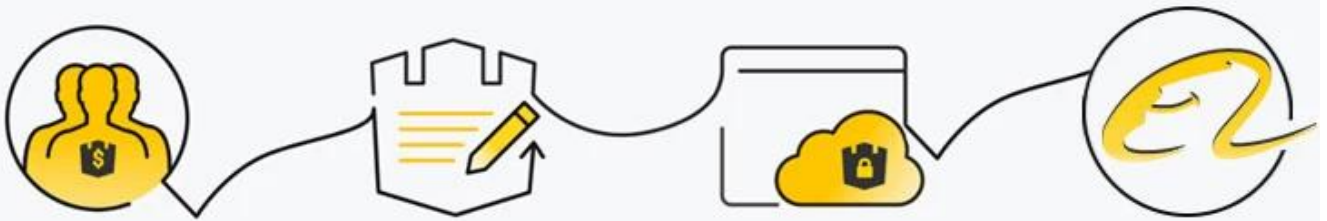


PACKAGING & DELIVERY



PAYMENT & TRANSPORTATION

Welcome Alibaba Trade Assurance Order!



- 1 Start an order
- 2 Negotiate terms with our sales service & confirm order
- 3 Make payment
- 4 Alibaba provide full assurance



CONTACT US

WELCOME TO CONTACT US. WE WILL DO OUR BEST TO HELP YOU!



CELIA CHEN



Email : sales01@launch-china.cn



Skype : [launch-01](https://www.skype.com/people/launch-01)



Mob. [86-13590273543](tel:86-13590273543)

