

Modern design glass railings round standoff glass clamp, glass frameless standoff clamp hardware stainless steel 316 brushed finish for 1/2: thickness glass .

glass frameless standoff clamp hardware specs.

MODEL	SF- 50
For glass thickness	8-19mm
DIAMETER	50MM
DIMENSIONS	12MM CAP , 30MM BODY/50MM,
BOLT	M12*120
MOQ	20 PCS

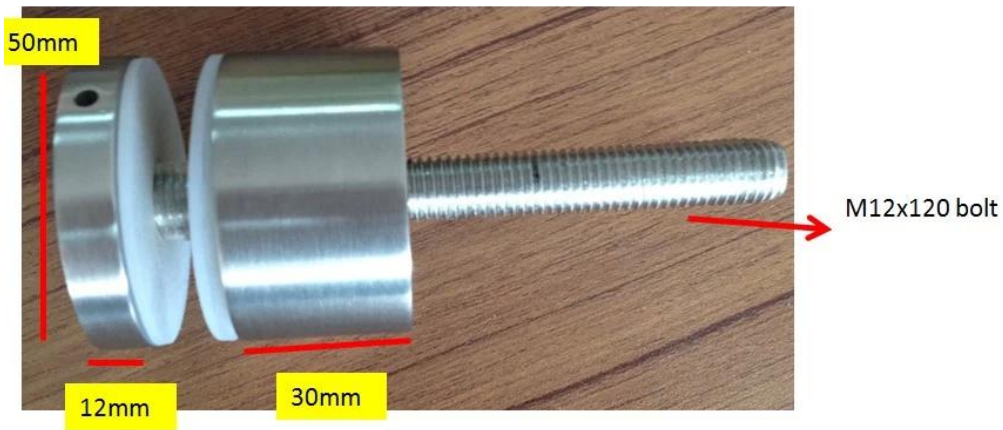
glass frameless standoff clamp hardware photos
mirror finish , concrete mount



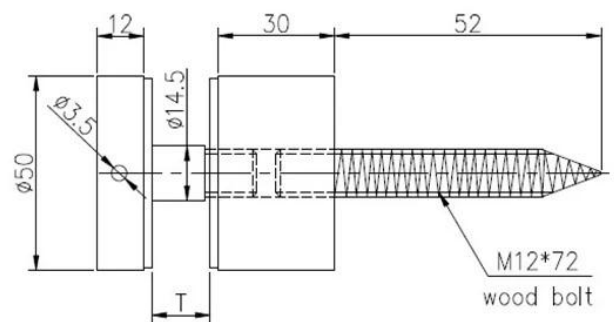
satin finish , wood mount



Drawing for glass frameless standoff clamp hardware
Standoff with concrete bolt, # SF-50



Standoff with wood screw , # SF-50A



Other models of glass frameless standoff clamp hardware

STAND OFF



Part No.	Material	Finish	Body	Bolt size
<ul style="list-style-type: none"> ▪ SF-30 ▪ SF-40 ▪ SF-50 ▪ SF-50A 	<ul style="list-style-type: none"> ▪ AISI 304 ▪ AISI 316 	<ul style="list-style-type: none"> ▪ Satin ▪ Mirror 	<ul style="list-style-type: none"> ▪ 30x10; 30x25mm ▪ 40x10; 40x30mm ▪ 50x12; 50x30mm ▪ 50x12; 50x50mm ▪ silicon rubber gasket included 	<ul style="list-style-type: none"> ▪ M10x120 bolt ▪ M10x72 wood screw ▪ M8x100 bolt ▪ M8 x72 wood screw



Part No.	Material	Finish	Body	Bolt size
<ul style="list-style-type: none"> ▪ SF-38Z 	<ul style="list-style-type: none"> ▪ AISI 304 ▪ AISI 316 	<ul style="list-style-type: none"> ▪ Satin ▪ Mirror 	<ul style="list-style-type: none"> ▪ hollow type ▪ 38x7.5;38x38mm ▪ silicon rubber gasket included 	<ul style="list-style-type: none"> ▪ M8x70 hexagonal screw

Project photos of glass frameless standoff clamp hardware



