

terraza de cristal abrazadera valla espita de 12mm de cristal

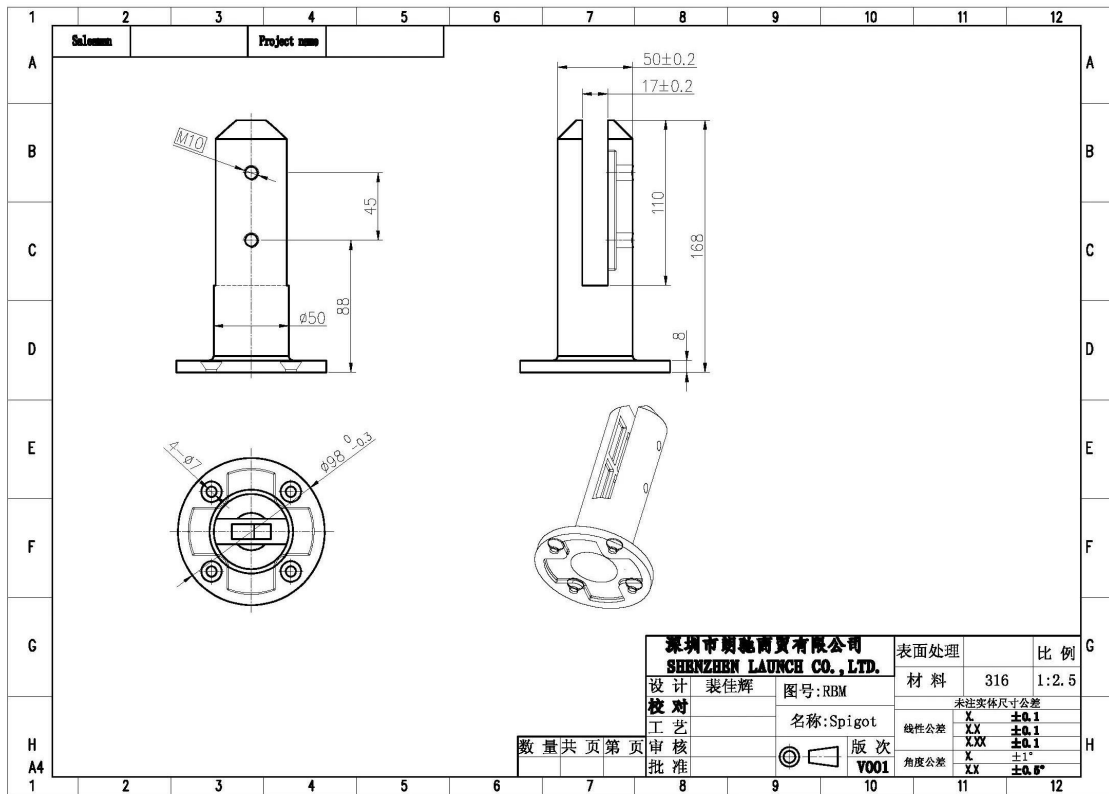
Presupuesto

- Material acero, 316 stainles
- Stock para entrega rápida
- Cepillado o pulido
- Vidrio 10-13.52mm
- 168 mm de alto
- Placa base redonda de 50 mm
-

fotos de [**terraza de cristal abrazadera valla espita de 12mm de cristal**](#)



dimensiones para el [terraza de cristal](#)
[abrazadera valla espita de 12mm de cristal](#)



¿Cómo hacemos las maletas [grifo de cristal](#) ?

1 PC en una caja, 12 PC en un cartón.





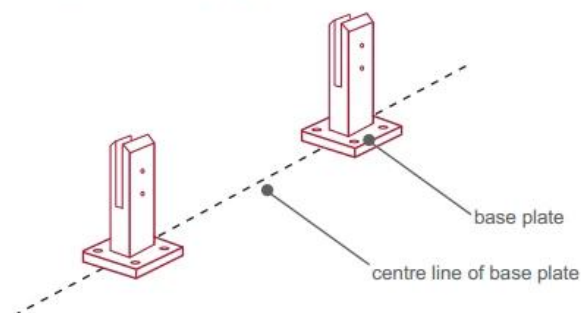
Cómo instalar las espigas de vidrio? Por favor, siga las instrucciones a continuación.



fixing method: base plate spigots

Mark out the centre line of proposed glass fence with a chalk line. Determine clamp location based on a sheet size (recommendation on pages 1 & 2). Use base plate as a template to mark out the hole positions and drill holes to suit.

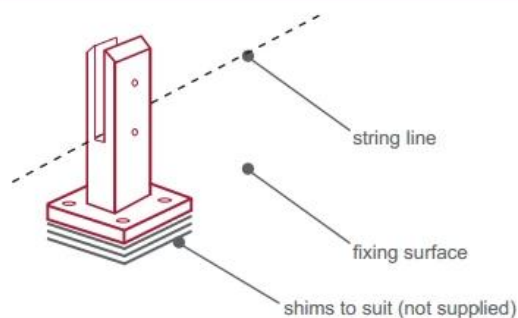
Note: Do not exceed 100mm gaps between glass panels. Optimum gap is 40mm to 60mm



Now the base plated spigots can be fitted to the floor and plumbed via shims (not supplied) under the base plates. Be sure to tighten firmly as the smallest of movement at the base plate will result in noticeable movement at the bottom of the glass fence.

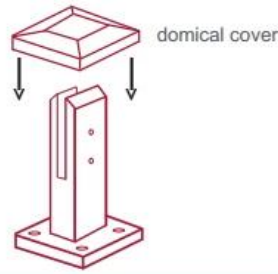
Tip: By setting the two outer spigots of your total span, a string line can be run in the 'throat' of the spigots, giving correct height for all spigots in between

Note: Do not exceed 100mm gap from the fixing surface to the bottom of the glass



When all spigots are installed, slip domical cover the top of the spigot to hide fixings. It will be necessary to turn the adjustment screws on the spigot face all the way in to allow cover to pass over

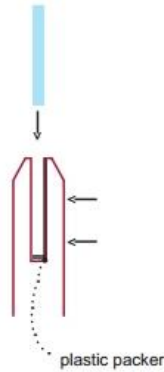
Note: Same installation method applies to round base plate spigot



The glass is then installed to the spigots.
Place plastic packers between glass & spigot, at no stage should glass touch the metal

How adjustability works:

1. Place glass in spigot
2. Fix/ tension glass both sides with allen key



Fotos de abrazadera de cristal cerca de espiga instalado por nuestros clientes en todo el mundo.

valla de la piscina abrazadera de la espita de vidrio de Australia



balcón pinza grifo de cristal del Reino Unido



[abrazadera de la espita de vidrio utilizado en el balcón de Canadá](#)



espita de vidrio escalera



No dude en enviar la investigación para obtener un presupuesto!

Atentamente

Celia

sales01@launch-china.cn

86-13590273543