

# 1/8" Lag Screw Turnbuckle 316 Stainless Steel Wire Rope Cable Railing Fittings for Deck Railing

## Specifications:

tuotteen nimi	1/8" Lag Screw Turnbuckle 316 Stainless Steel Wire Rope Cable Railing Fittings for Deck Railing
Material	Stainless steel 304 / 316
Viedä loppuun	Mirror polished or satin brushed
For cable diameter	3mm(1/8") or 5mm(3/16")
Nettopaino	46g/piece
Hydraulic crimper	Yes, Hydraulic crimper required to tighten cable
Cable tensioner installation	Steel or stainless steel post
Manufacturer method	CNC machining (high quality)
Cable tensioner safety packaging	(1) Bubble bag--box--carton (2) As per customer's requirements.
Cable tensioner Application	Indoor and outdoor balcony / deck / stairs / terrace cable railing designs
Moq	One pair (2 pieces)
Näyte	Saatavilla
Factory inspection	Acceptable
OEM & ODM Service	Acceptable



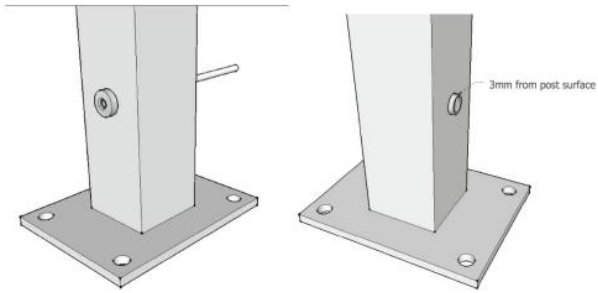






**Asennus:**

# Cable fitting T807A installtion

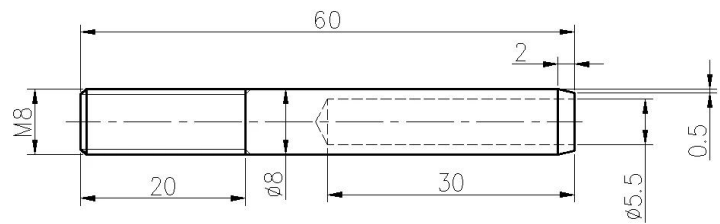
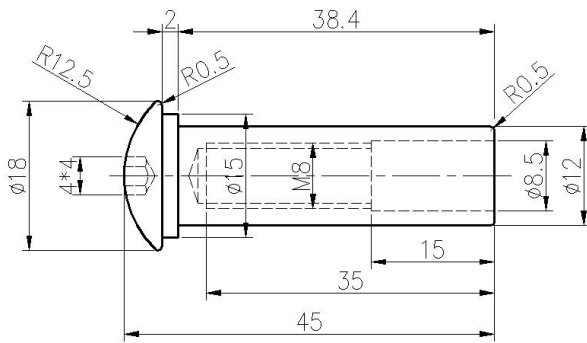


Put cable inside part 1 and tighten with hydraulic crimper, then let part 2 go through post and then screw together With part 1.



Hydraulic Crimper

## Tekninen piirustus:



## ProjectValokuvat:





**Type 316 stainless steel has the best corrosion resistance among standard stainless steels. It resists pitting and corrosion by most chemicals, and is particular resistant to saltwater corrosion.**

These can be used for a variety of applications. Sail boats and yachts, cable railing, and for shade sails.

- 1) Material: stainless steel 316 or stainless steel 304
- 2) Surface finish: highly polished or satin brushed
- 3) Standard: Metric and UNF
- 4) Customer design: our experienced engineer team can developed the products and manufacture in accordance with samples, drawings or only ideas
- 5) Delivery: by sea, by air or by express service
- 6) Price term: FOB or CIF

- 7) Sizes: from 3mm to 6mm or as per your requests
- 8) Type: Swaged countersunk head end, swaged flathead end and swaged domehead end
- 9) Packing: clean poly bags and cartons and pallets or as per requests
- 10) For more swage adjuster, please email us for full catalogue

**Contact us for more information:**

**HP/WhatsApp/WeChat: +8613686807796**

**E-mail: [sales03@launch-china.cn](mailto:sales03@launch-china.cn)**