

Staffa per supporti in vetro, bulloni per supporto in vetro, supporto per parete in vetro  
specifiche tecniche:

nome del prodotto	Staffa per supporti in vetro, bulloni per supporto in vetro, supporto per parete in vetro
Materiale	Acciaio inossidabile 304/316
Altro nome	standoff di vetro, inferriata di vetro di standoff
finire	Lucidato a specchio o satinato
Dimensione del distanziatore del vetro	Cappuccio 50x12mm, corpo 50x30mm, bullone M12 * 120mm, guarnizione in gomma siliconica inclusa
Per lo spessore del vetro	12-19mm, o secondo i requisiti dei clienti
Foro di vetro forato	Diametro 14mm richiesto in vetro
Peso netto	750g / piece
Montaggio	montaggio a parete / montaggio laterale / montaggio su pannello
MOQ	10 pezzi
Campione	A disposizione
OEM e & Servizio ODM	Accettabile
Applicazione	Design di scale per interni ed esterni, ringhiera per balcone, ringhiera in vetro senza telaio, design di balcone di Giulietta, scala mobile
Ispezione di fabbrica	A disposizione

**Dia 50mm Vetro Standoff / Button in Satin Finish:**



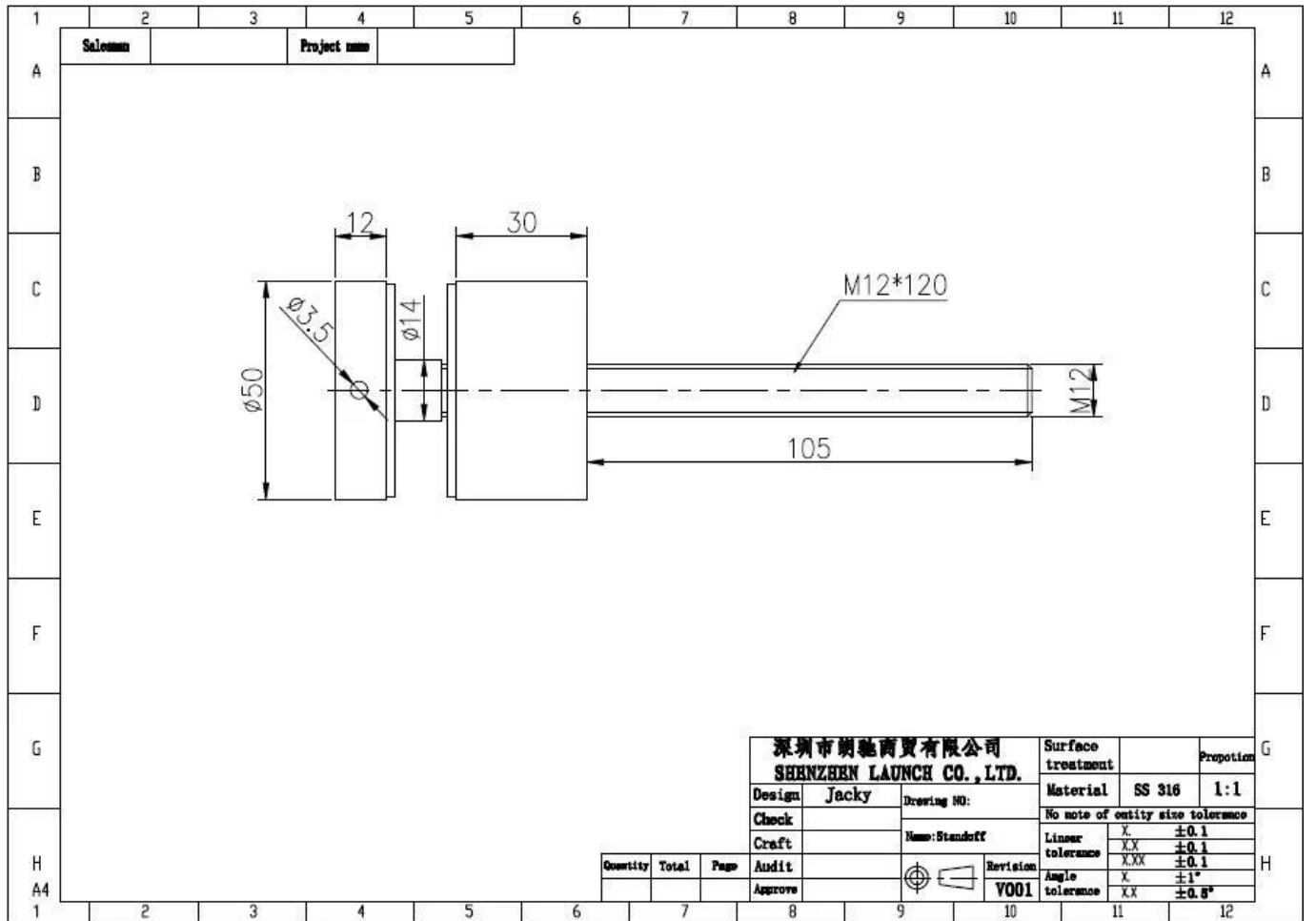
**Dia 50mm** Vetro Standoff / Button in **Finitura a specchio**:

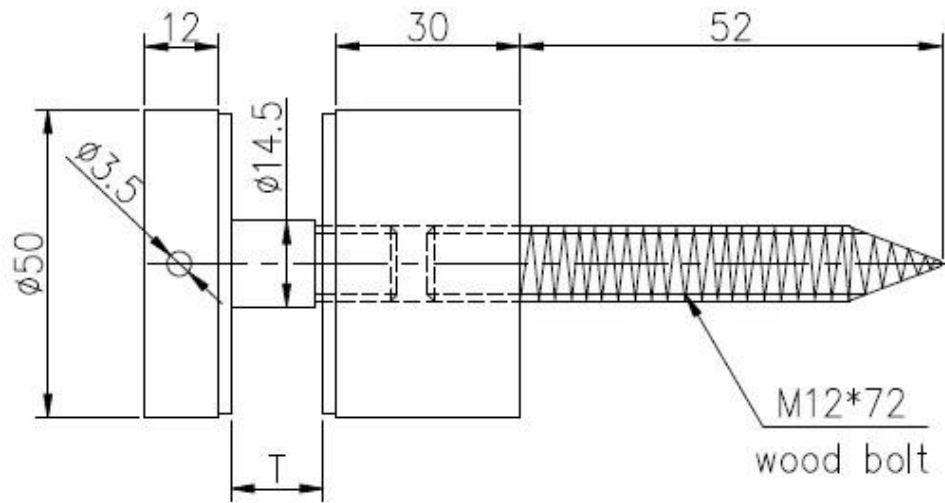


**Con vite per legno per il montaggio su substrato di legno:**



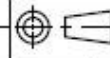
**Disegno tecnico:**





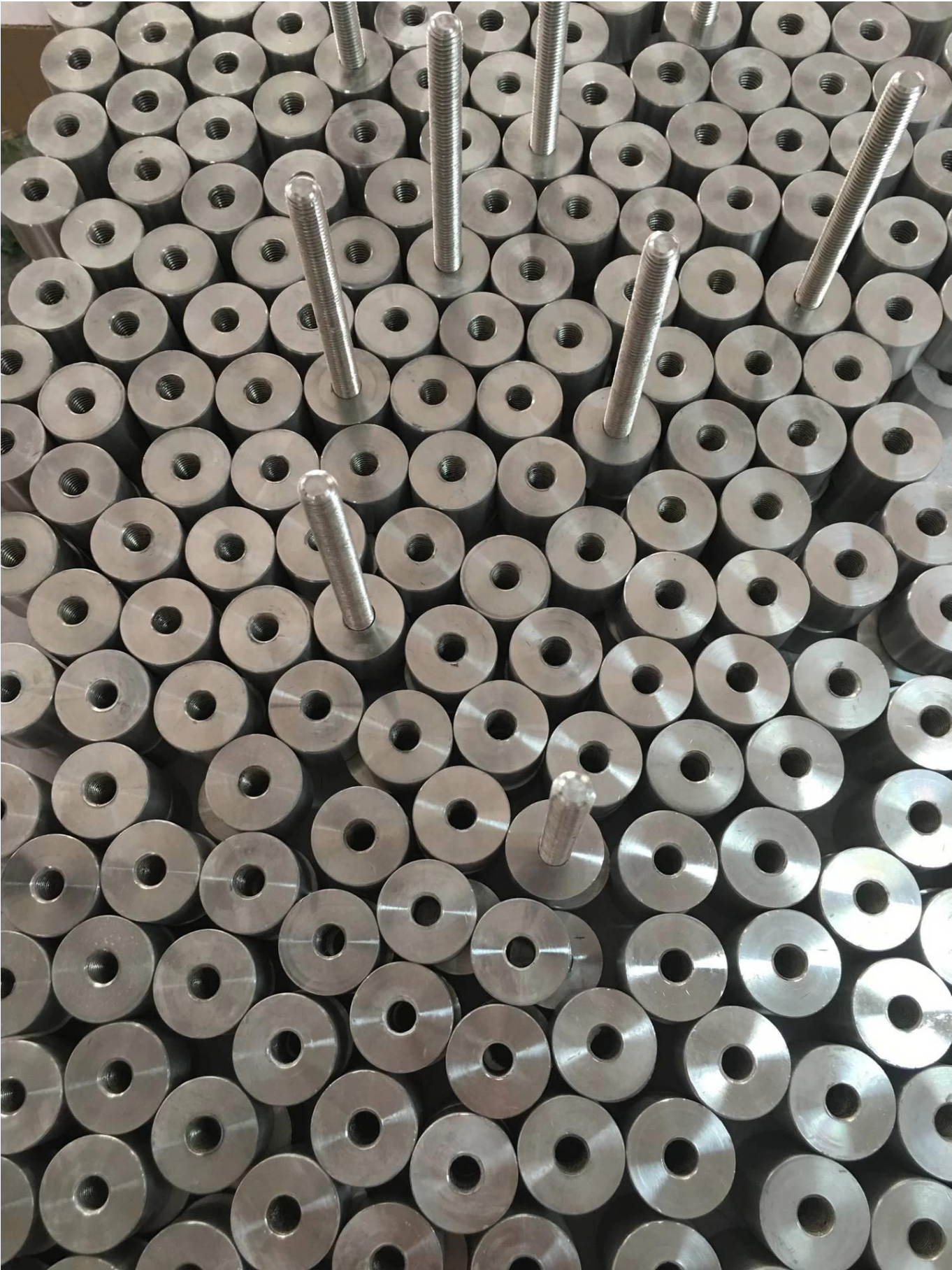
<b>深圳市朗馳商貿有限公司</b> <b>SHENZHEN LAUNCH CO., LTD.</b>			Surface treatment		Propor
Design	Jacky	Drawing NO: SF-68	Material		1:1
Check		Name: Standoff	No note of entity size tolerance		
Craft			Linear tolerance	X. ±0.1	
Audit			X.X ±0.1	X.XX ±0.1	
Approve			Angle tolerance	X. ±1°	
			X.X ±0.5°		

Quantity	Total	Page



Revision  
V001













**Foto del progetto:**

Balaustra in acciaio inossidabile con sistema di balaustra a bottoni in vetro





[Standoff di vetro in acciaio inossidabile per balaustra in vetro senza telaio](#)



[standoff in acciaio inox, staffa per il design di ringhiere per scale](#)





Informazioni sull'azienda:



Shenzhen Launch Co., Ltd was established in 2004, located at Nanshan District, Shenzhen, and one hour by car from Hongkong International Airport. Our main product is high-grade building materials includes stainless steel balustrade post, staircase handrail, balcony guardrail, swimming pool fence and other high-grade building materials. All the products are designed strictly according to the high-end market requirements. We have our own factory in Tangxia Town, Dongguan, has a variety of precision equipment more than 50 sets: CNC lathe, milling machine, punching machine, pipe cutter, argon welder, drilling machine, polisher, etc. which can provide customers with complete product processing services. With the German SPECTRO Spectrometer, we insist on testing every batch of materials to ensure that the material is highly qualified. We also have hardness gauge, secondary element and other test equipment to ensure the products meets customers' requirements.

## ABOUT US



# OUR ADVANTAGE

Please do not hesitate to contact us if you have any requirement regarding our production lines, you can expect a timely reply with professional solutions!



Own factory, shortest lead time.



Can help customers design product drawings based on customer ideas and design engineering installation drawing according to the customer site sketch.



Sample order, trial order acceptable.



Provide material test report to ensure that the material is qualified.



13 years of industry experience, we can help customers recommend the best solution to help customers save cost.

# OUR FACTORY

More than 13 years experience in hardware industry design and processing, we can provide customized services from design to the sample and small batch trial production.







# PRODUCTION PROCESS



Casting



CNC lathe



CNC Milling



Stamping



Drilling & Tapping

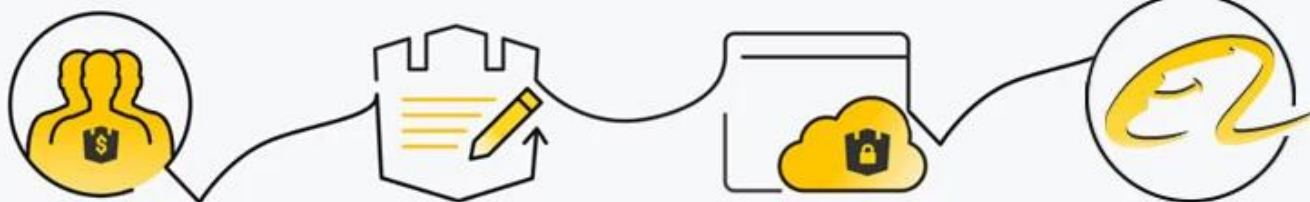


Polishing



# PAYMENT & TRANSPORTATION

Welcome Alibaba Trade Assurance Order!



1 Start an order

2 Negotiate terms with our sales service & confirm order

3 Make payment

4 Alibaba provide full assurance



Contattaci ora per maggiori informazioni!



**Email: [sales03@launch-china.cn](mailto:sales03@launch-china.cn)**

**Mob: +8615907334556**