

Perché scegliere SHENZHEN LANCIARE ?

SHENZHEN LANCIARE è verificato di SGS , tutti il fissaggi a partire dal nostro azienda siamo verificato con eccellente qualità.

## Alibaba.com Gold Plus Supplier

### Main Product Lines Verification Report

*Presented to*

**Shenzhen Launch Co., Ltd.**

深圳市朗驰商贸有限公司

Company Address	B5003, Building 3, Yilida Building, No. 1092 Nanshan Avenue, Dengliang Community, Nanshan Street, Nanshan District, Shenzhen City, Guangdong Province, China
Consigner of Assessment:	Alibaba
Gold Supplier Member ID:	launch168
Gold Supplier Company Name:	Shenzhen Launch Co., Ltd.
Contact Person:	Mr. Binfeng Gao
Phone Number:	0086-13802569770
Fax Number:	0086-755-86372611
Email:	gbf999@china.com
Website Address (URL):	<a href="http://launch-china.en.alibaba.com">http://launch-china.en.alibaba.com</a>

*Service Provided by SGS  
Report No.: 19536352\_P+T*





Cutting Machine	XN	4	3	Acceptable
Laser Cutting Machine	MPS-3015D	1	2	Acceptable
4.5M CNC Processing Center	PRATIC	1	3	Acceptable
CNC Processing Meter	JNC	8	3	Acceptable
Shearing Machine	6X2500	2	3	Acceptable
Bending Machine	AG-1030II	4	3	Acceptable
Punching Machine	N/A	36	6	Acceptable
Coating Line	N/A	1	1.5	Acceptable
Lathing Machine	N/A	1	6	Acceptable
Grinding Machine	LITAO	4	6	Acceptable
Milling Machine	TONG ZHENG	2	6	Acceptable
Welding Machine	N/A	5	5	Acceptable
Tube Processing Machine	N/A	2	5	Acceptable
Cutting Machine		Laser Cutting Machine		4.5M CNC Processing Center
				
CNC Processing Meter		Shearing Machine		Bending Machine
				
Punching Machine		Coating Line		Lathing Machine
				

Report No:	19536352_P+T	Report Date:	09/Oct./2019	Assessed By	Wlof Wang
CONFIDENTIAL		All Rights Reserved		Page No:	6 of 10

ringhiera per scale 1/2 "supporto laterale in vetro staffa di supporto in vetro design popolare per applicazioni di ringhiera interna.

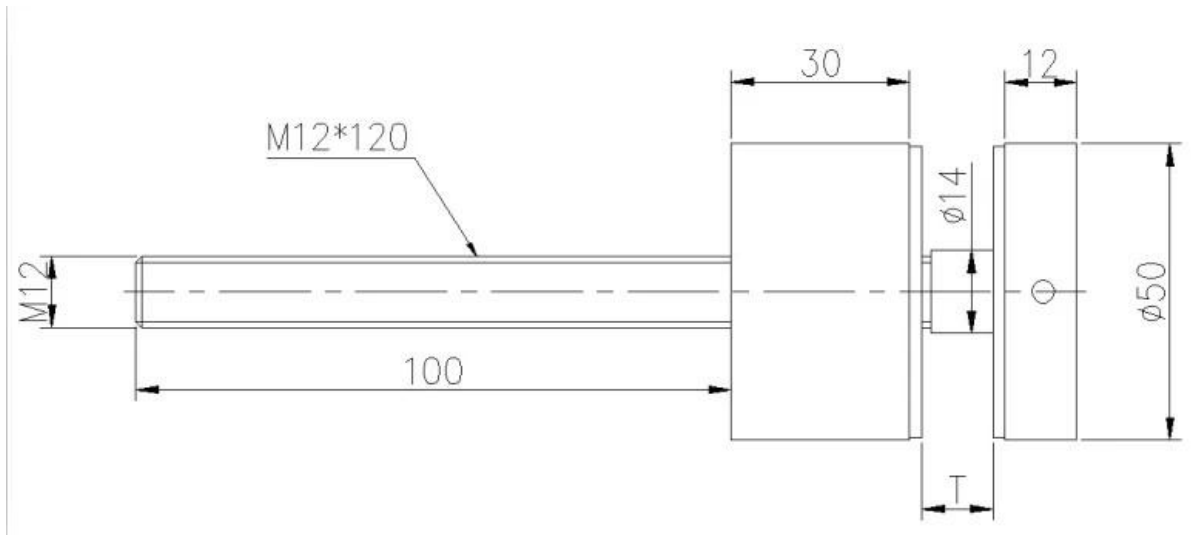
1. Specifiche per la staffa di supporto in vetro -

1. Modello # SF-50
2. DIA 50mm
3. Per vetri di spessore 10-19mm
4. MOQ 10 pezzi
5. con M12 \* 120 BOLT per montaggio su calcestruzzo o M12 \* 72 vite per legno per montaggio su legno
6. 7,1 USD / pz basato su oltre 100 pezzi

2. Foto della ringhiera delle scale 1/2 "staffa di supporto in vetro per montaggio laterale in vetro



3. disegno per SF-50



#### 4. Altri modelli di staffa di supporto -



Part No.	Material	Finish	Body	Bolt size
▪ SF-30	▪ AISI 304 ▪ AISI 316	▪ Satin ▪ Mirror	▪ 30x10; 30x25mm	▪ M10x120 bolt ▪ M10x72 wood screw ▪ M8x100 bolt ▪ M8 x72 wood screw
▪ SF-40			▪ 40x10; 40x30mm	
▪ SF-50			▪ 50x12; 50x30mm	
▪ SF-50A			▪ 50x12; 50x50mm ▪ silicon rubber gasket included	



Part No.	Material	Finish	Body	Bolt size
▪ SF-38Z	▪ AISI 304 ▪ AISI 316	▪ Satin ▪ Mirror	▪ hollow type ▪ 38x7.5; 38x38mm ▪ silicon rubber gasket included	▪ M8x70 hexagonal screw



Part No.	Material	Finish	Body	Mounting plate size
▪ SF-50T	▪ AISI 304 ▪ AISI 316	▪ Satin ▪ Mirror	▪ 50x10; 50x30mm ▪ silicon rubber gasket included	▪ 200x100x10mm