

Trapeuningleuningen ontwerp RVS wandmontage buiten verstelbaar glazen standoff specificaties:

productnaam	Glasafstand, Afstand glazen railing, verstelbare glazen standoff
Materiaal	Roestvrij staal 304/316
Andere naam	glazen afstandsbus, standaard bouten
Af hebben	Spiegel gepolijst, of satijn gezoet
Glas stand-off maat	1 1/2 " x 1 1/2 ", M12 * 120 mm houten bout, inclusief siliconenrubberen pakking
Voor glasdikte	12-19mm, of vanaf de eisen van klanten
Geboorde glazen gat	Diameter 14 mm vereist in glas
Netto gewicht	495g / piece
Montage	muurmontage / zijmontage / montage van de fascia
MOQ	10 stuks
Monster	Beschikbaar
OEM & ODM service	Aanvaardbaar
Toepassing	Indoor en outdoor trappen ontwerp, balkon reling, dek frame-loze glazen balustrade, Juliet balkon ontwerp, zwevende trap
Fabrieksinspectie	Beschikbaar



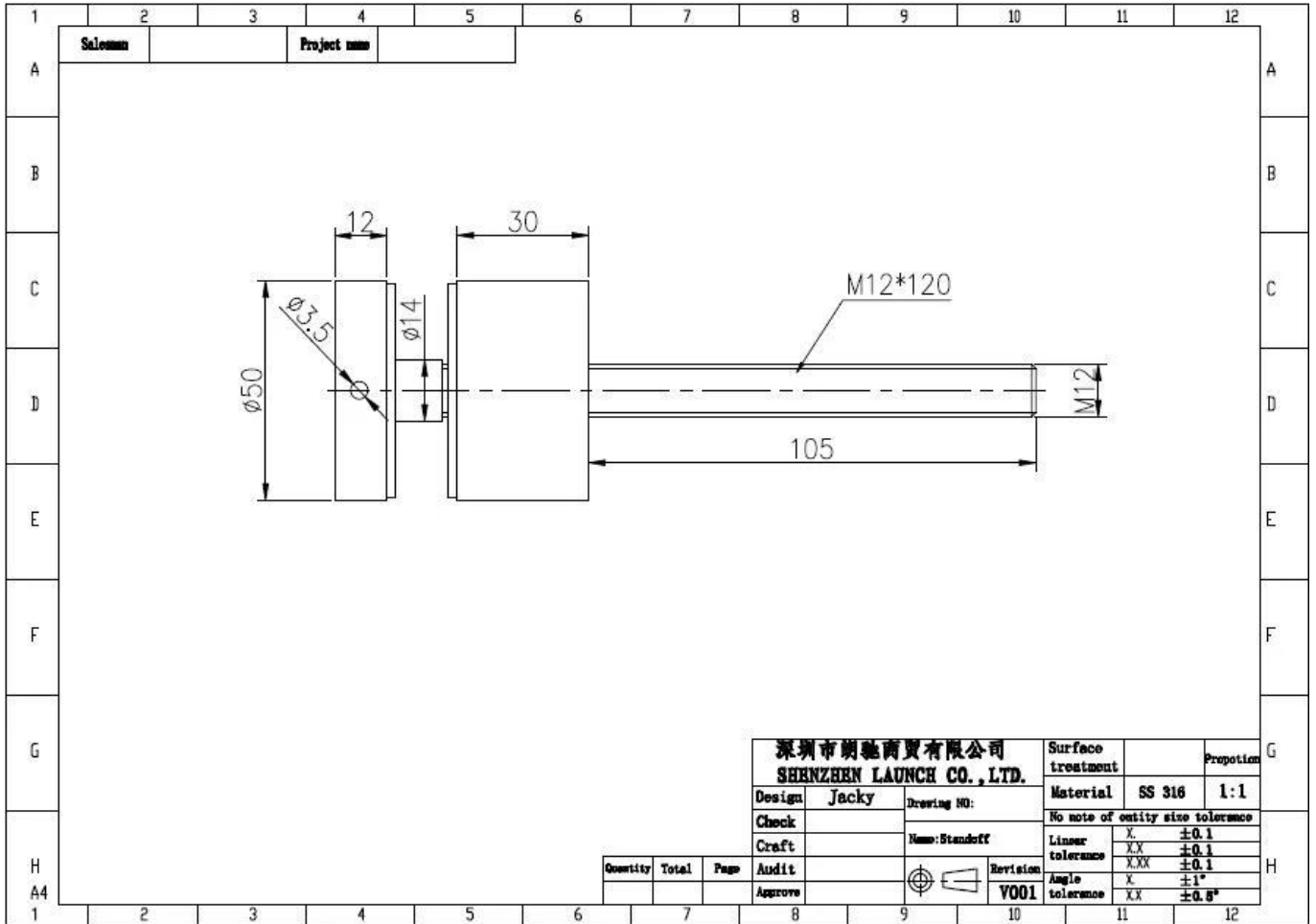
Dia 50 mm Glass Standoff / Button in Mirror Finish:



Met houtschroef voor montage op houten ondergrond:



Technische tekening:

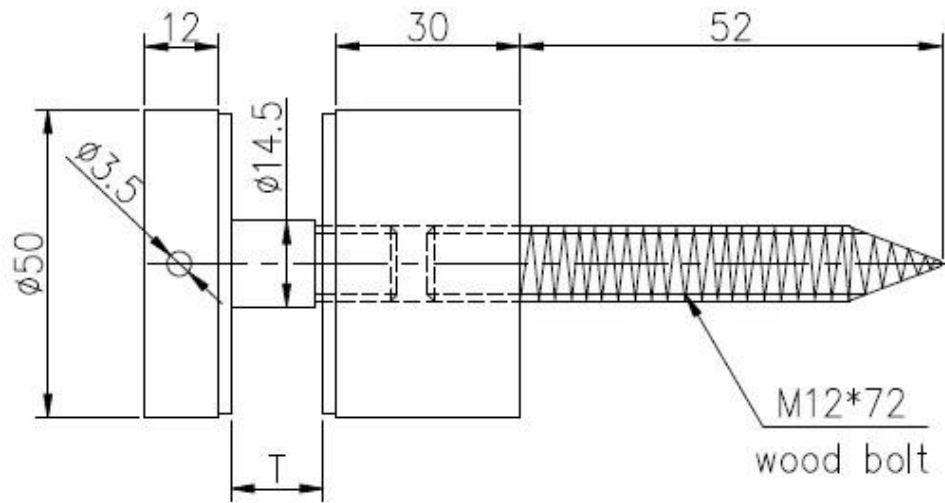


深圳市朗馳商貿有限公司 SHENZHEN LAUNCH CO., LTD.			Surface treatment		Preparation
Design	Jacky	Drawing NO:	Material	SS 316	1:1
Check		Name: Standoff	No note of entity size tolerance		
Craft			Linear tolerance	X	± 0.1
Audit			Linear tolerance	XX	± 0.1
Approve			Linear tolerance	XXX	± 0.1
			Angle tolerance	X	$\pm 1^\circ$
			Angle tolerance	XX	$\pm 0.5^\circ$

Quantity	Total	Page

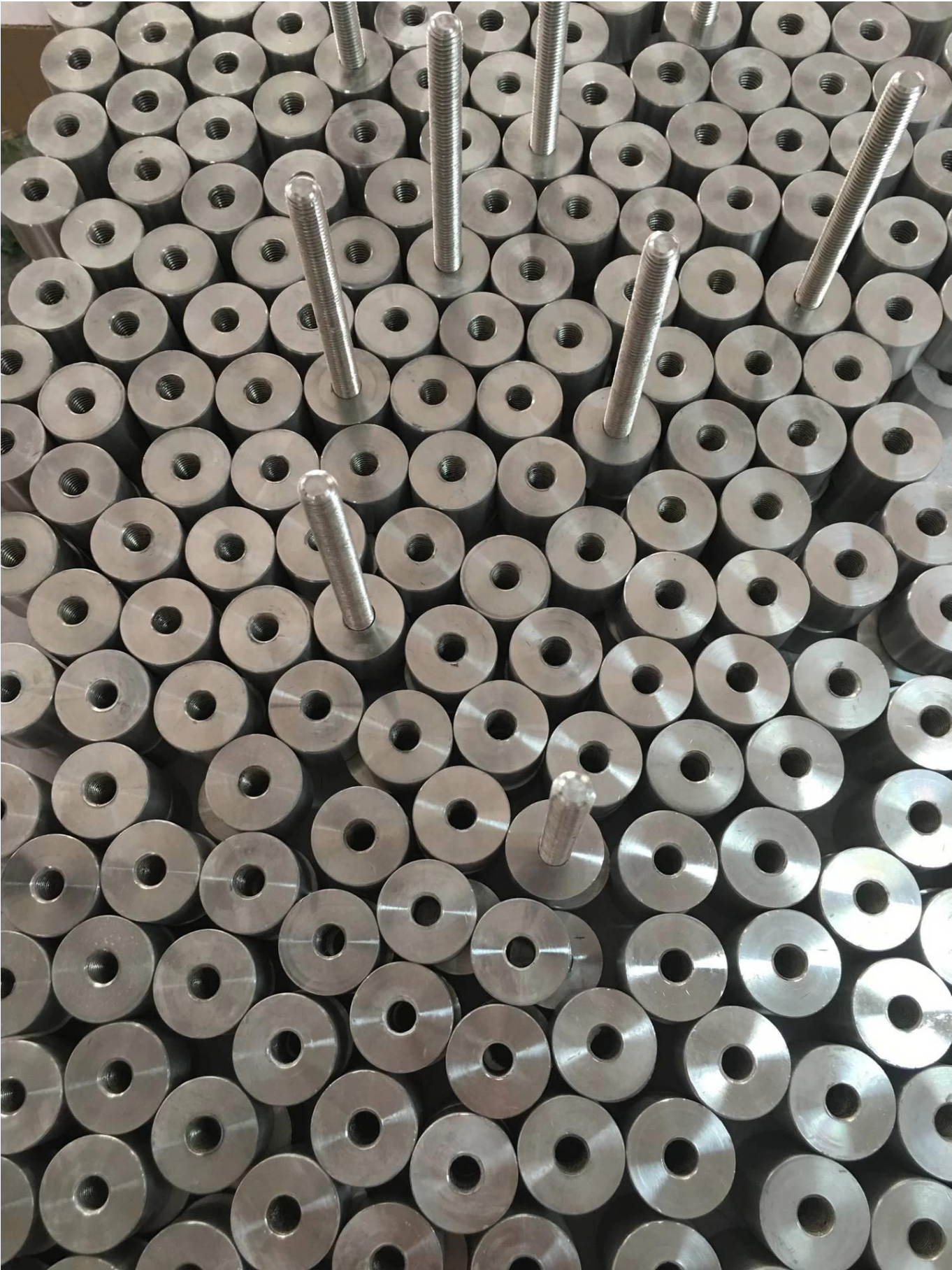


Revision
V001



深圳市朗馳商貿有限公司 SHENZHEN LAUNCH CO., LTD.			Surface treatment		Propor
Design	Jacky	Drawing NO: SF-68	Material		1:1
Check		Name: Standoff	No note of entity size tolerance		
Craft			Linear tolerance	X	±0.1
Audit			Revision	X.X	±0.1
Approve		V001	Angle tolerance	X	±1°
				X.X	±0.5°

Quantity	Total	Page







Projectfoto's:

Glazen knop Balustrade systeem RVS balustrade





Roestvrijstalen glazen afstandhouder voor frameleze glazen balustrade



roestvrijstalen standoff, beugel voor trapleuning ontwerp



Bedrijfsinfo:

Shenzhen Launch Co., Ltd was established in 2004, located at Nanshan District, Shenzhen, and one hour by car from Hongkong International Airport. Our main product is high-grade building materials includes stainless steel balustrade post, staircase handrail, balcony guardrail, swimming pool fence and other high-grade building materials. All the products are designed strictly according to the high-end market requirements. We have our own factory in Tangxia Town, Dongguan, has a variety of precision equipment more than 50 sets: CNC lathe, milling machine, punching machine, pipe cutter, argon welder, drilling machine, polisher, etc. which can provide customers with complete product processing services. With the German SPECTRO Spectrometer, we insist on testing every batch of materials to ensure that the material is highly qualified. We also have hardness gauge, secondary element and other test equipment to ensure the products meets customers' requirements.

ABOUT US



OUR ADVANTAGE

Please do not hesitate to contact us if you have any requirement regarding our production lines, you can expect a timely reply with professional solutions!



Own factory, shortest lead time.



Can help customers design product drawings based on customer ideas and design engineering installation drawing according to the customer site sketch.



Sample order, trial order acceptable.



Provide material test report to ensure that the material is qualified.



13 years of industry experience, we can help customers recommend the best solution to help customers save cost.

OUR FACTORY

More than 13 years experience in hardware industry design and processing, we can provide customized services from design to the sample and small batch trial production.



PRODUCTION PROCESS



Casting



CNC lathe



CNC Milling



Stamping



Drilling & Tapping

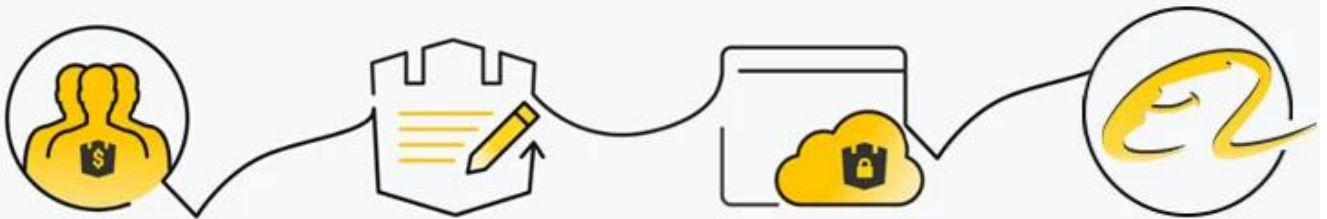


Polishing



PAYMENT & TRANSPORTATION

Welcome Alibaba Trade Assurance Order!



- 1 Start an order
- 2 Negotiate terms with our sales service & confirm order
- 3 Make payment
- 4 Alibaba provide full assurance



Neem nu contact met ons op voor meer informatie!
E-mail: sales03@launch-china.cn

Mob: +8615907334556