

## 12-15mm 90 Degree Stainless Steel Corner Glass Clamp PV-90

### - Features for [12-15mm 90 Degree Stainless Steel Corner Glass Clamp PV-90](#)

1. 90 degree , used at the corner in between 2 glass panels
2. made by precision casting
3. material can be stainless steel 304 or 316
4. satin or mirror finish optional
5. no holes required to drill in glass

- **MOQ: 10 PCS**
- **Delivery Time: 10-20 days upon receiving of payment.**
- **Payment Term: L/C, T/T, PayPal, Western Union, Secure Payment**
- **Supply Ability: 5000PCS/Month**

- Photos for 12-15mm 90 Degree Stainless Steel Corner Glass Clamp PV-90

Back view. of 90 degree stainless steel glass clamp



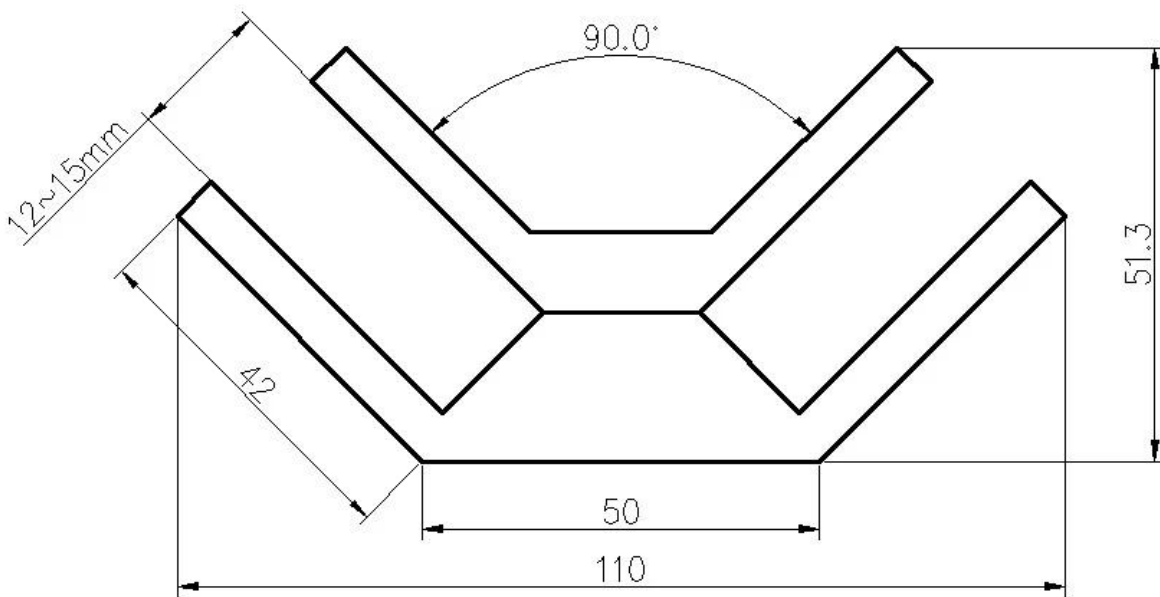
bottom view. of 90 degree stainless steel glass clamp



side view . of 90 degree stainless steel glass clamp



-Dimension



**Welcome to contact us for more info:**

**Email: [sales03@launch-china.cn](mailto:sales03@launch-china.cn)**

**Mobile: +8615907334556**

**Eve Chow**

Sales representative

M : +86 159 0733 4556

T : +86 755 8603 7559

E : sales03@launch-china.cn

A : B5-5003, Yilida Bldg, Nanshan District, Shenzhen