

# 90 Degree Square Tube Connector Elbow for 25mm Pipe

## Specifications:

Ø  
D  
e  
g  
u  
e  
t  
Ø  
a  
m  
a  
r  
e  
T  
u  
b  
e  
C  
o  
n  
n  
e  
c  
t  
o  
r  
E  
l  
b  
o  
w  
f  
o  
r  
2  
5  
m  
m  
P  
i  
p  
e  
S  
p  
e  
c  
i  
f  
i  
c  
a  
t  
i  
o  
n  
s

0  
0  
e  
5  
2  
2  
,  
5  
2  
3  
,  
5  
2  
4  
,  
5  
2  
5  
0  
e  
e  
r  
j  
a  
t  
a  
i  
n  
l  
e  
s  
s  
s  
S  
t  
e  
e  
l  
2  
1  
/  
3  
4  
/  
3  
1  
6

D  
E  
M  
&  
D  
M  
b  
e  
e  
v  
i  
c  
e  
C  
e  
s  
t  
r  
i  
n  
g  
s

S  
a  
t  
f  
a  
o  
e  
m  
i  
r  
o  
r  
o  
r  
e  
l  
e  
c  
t  
r  
o  
-  
p  
l  
a  
t  
e  
d  
i  
n  
v  
a  
r  
i  
o  
u  
s  
c  
o  
l  
o  
r  
s

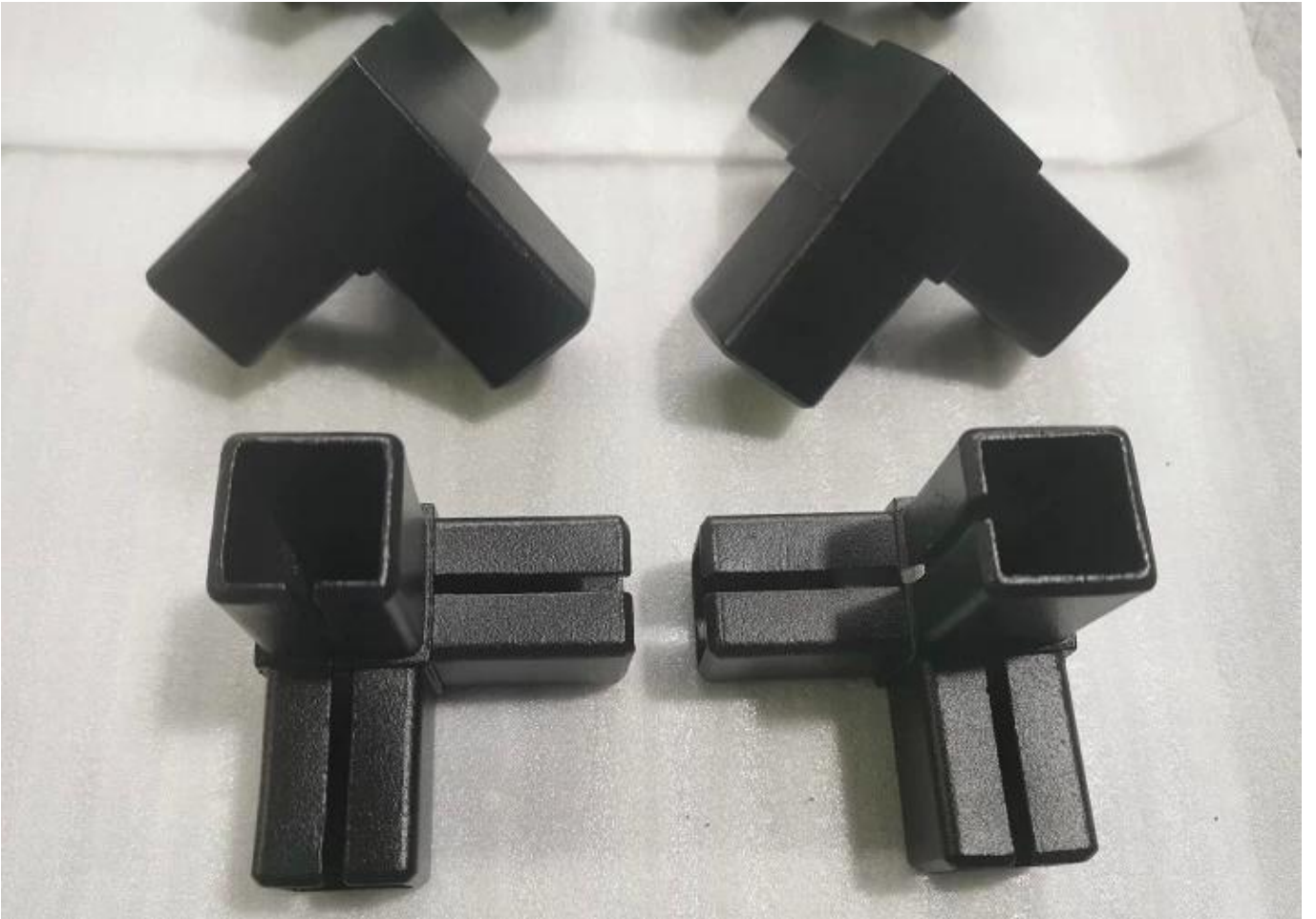
8  
5  
m  
m  
\*  
2  
5  
m  
m  
,  
3  
m  
m  
\*  
3  
m  
m  
,  
4  
m  
m  
\*  
4  
m  
m  
o  
r  
5  
m  
m  
\*  
5  
m  
m

M  
a  
r  
c  
h  
e  
n  
t  
e  
r  
e  
p  
&  
E  
x  
p  
o  
r  
t  
e  
r  
s  
a  
n  
d  
t  
h  
e  
a  
d  
t  
i  
m  
e

P  
a  
k  
g  
e  
t  
t  
o  
n  
b  
a  
g  
+  
c  
a  
r  
t  
o  
n  
s  
o  
r  
a  
s  
p  
e  
r  
c  
u  
s  
t  
o  
m  
e  
r  
s  
·  
r  
e  
q  
u  
e  
s  
t



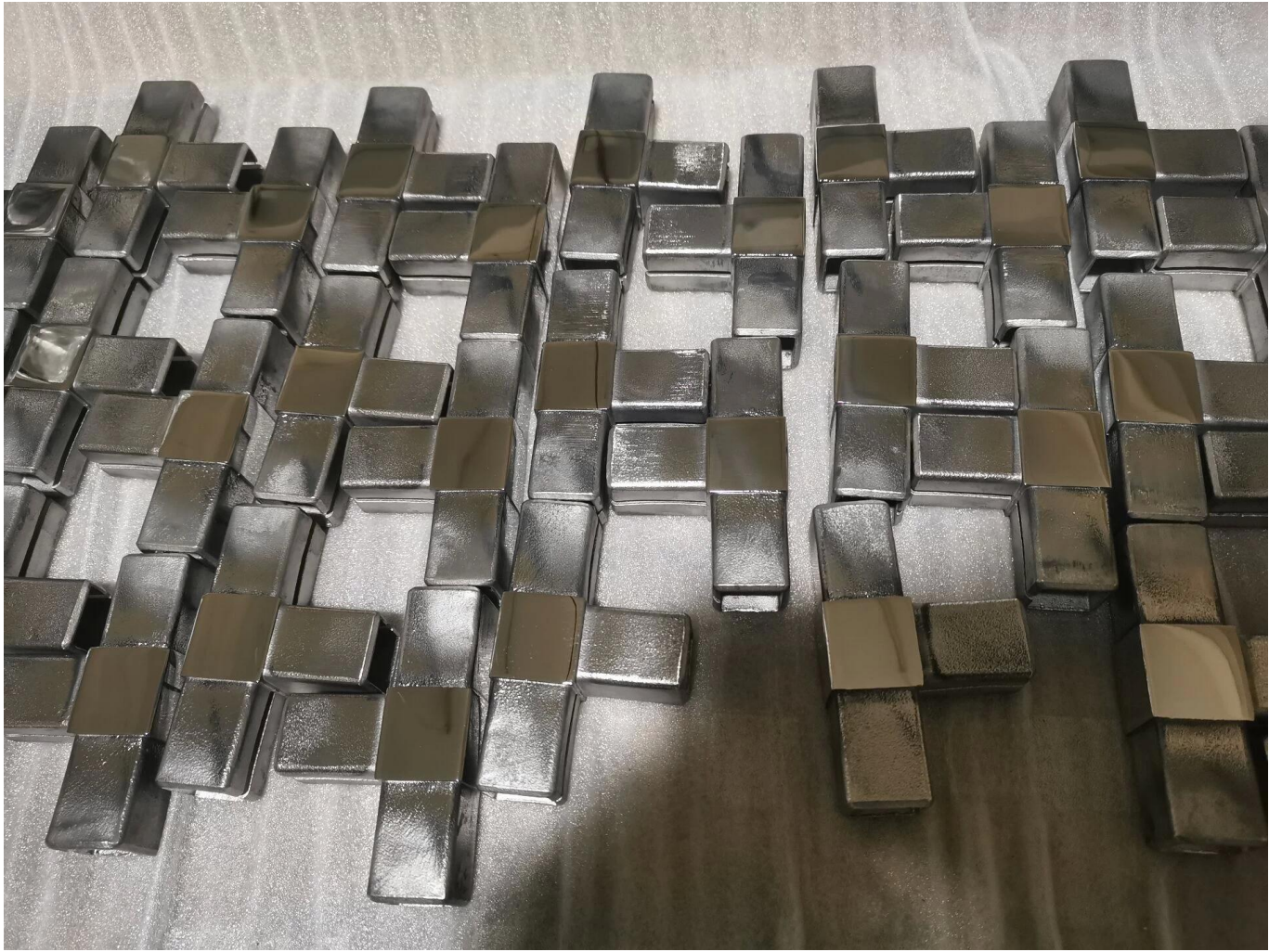


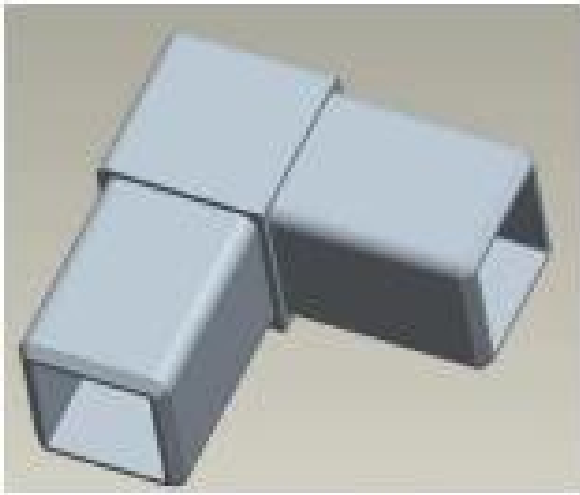


Mirror Polished in Gold Color



Mirror Polished Finish:

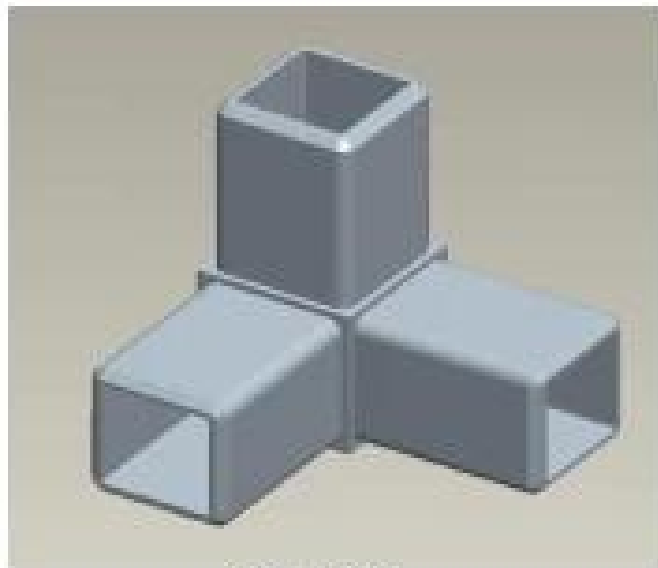




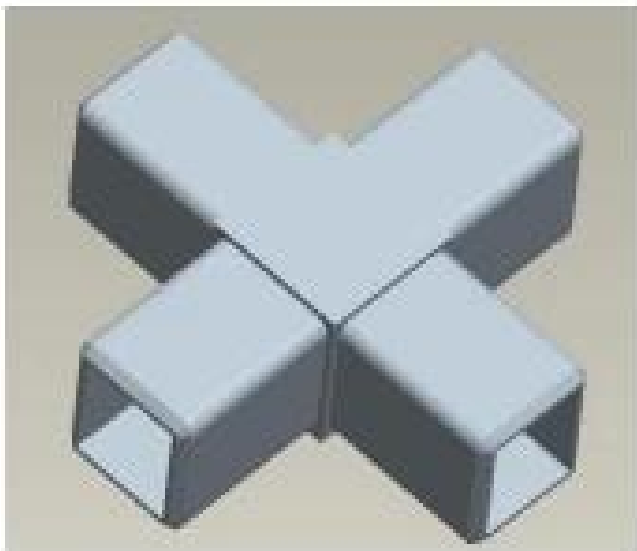
S201



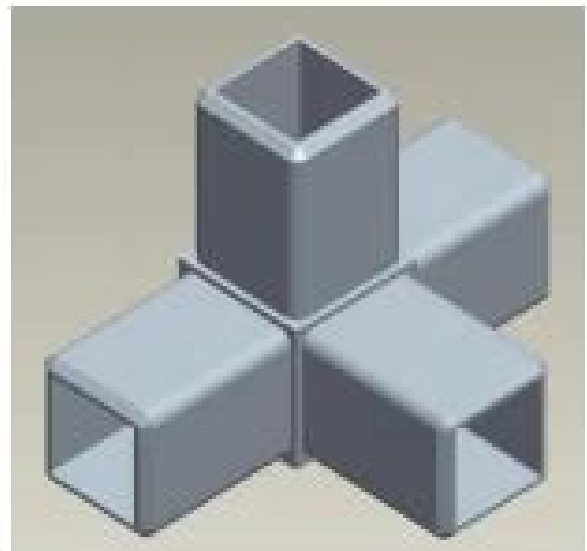
S202



S203



S204



S205

For use with 40\*40\*1.5(mm) tubes







**S401**



**S402**



**S403**

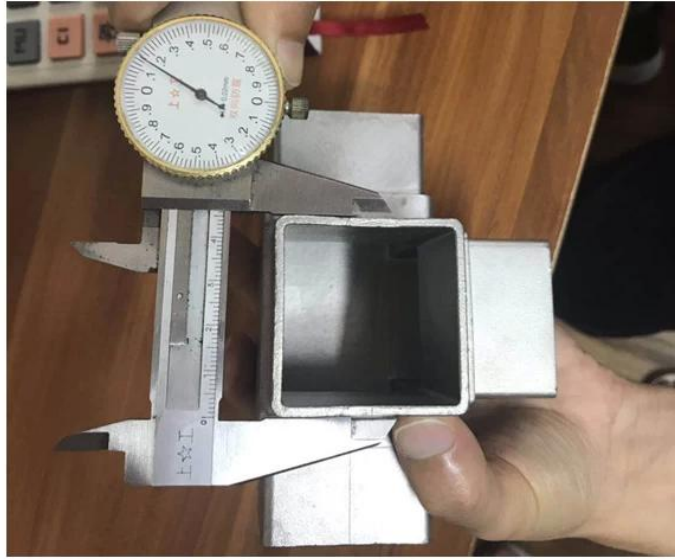



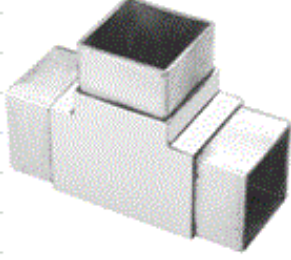



**S404**



**S405**

For use with 50\*50\*2(mm) tubes:



2-way tube connector	For tube dimensions	Model
	40×20×1.5(mm)	S400
	40×40×1.5(mm)	S401
	50×50×1.5(mm)	S501
	51×51×3.2(mm)	S511
3-way tube connector	For tube dimensions	Model
	40×40×1.5(mm)	S402
	51×51×3.2(mm)	S512
	3-way tube connector	For tube dimensions
	30×30×1.5(mm)	S303
	40×40×1.5(mm)	S403
	50×50×2.0(mm)	S503
	51×51×3.2(mm)	S513
4-way tube connector	For tube dimensions	Model
	40×40×1.5(mm)	S404
	50×50×2.0(mm)	S504
	51×51×3.2(mm)	S514
4-way tube connector	For tube dimensions	Model
	40×40×1.5(mm)	S405



**Application:**





**Round Type** Stainless Steel Pipe Corner Connector / Pipe Elbow:



Part No.	For tube size	Material	Finish
▪ E301	▪ $\Phi$ 42.4mm ▪ $\Phi$ 50.8mm	▪ AISI 304 ▪ AISI 316	▪ Satin ▪ Mirror



Part No.	For tube size	Material	Finish
▪ E302	▪ $\Phi$ 42.4mm ▪ $\Phi$ 50.8mm	▪ AISI 304 ▪ AISI 316	▪ Satin ▪ Mirror



Part No.	For tube size	Material	Finish
▪ E303	▪ $\Phi$ 42.4mm ▪ $\Phi$ 50.8mm	▪ AISI 304 ▪ AISI 316	▪ Satin ▪ Mirror



Part No.	For tube size	Material	Finish
▪ E304	▪ $\Phi$ 42.4mm ▪ $\Phi$ 50.8mm	▪ AISI 304 ▪ AISI 316	▪ Satin ▪ Mirror



Part No.	For tube size	Material	Finish
▪ E305	▪ $\Phi$ 12mm ▪ $\Phi$ 20mm	▪ AISI 304 ▪ AISI 316	▪ Satin ▪ Mirror



Part No.	For tube size	Material	Finish
▪ E306	▪ $\Phi$ 50.8mm	▪ AISI 304 ▪ AISI 316	▪ Satin ▪ Mirror



Part No.	For tube size	Material	Finish
▪ E307	▪ $\Phi$ 43	▪ AISI 304 ▪ AISI 316	▪ Satin ▪ Mirror



Part No.	For tube size	Material	Finish
▪ B502	▪ $\Phi$ 12mm	▪ AISI 304 ▪ AISI 316	▪ Satin ▪ Mirror





### **Delivery & Packaging**

--Delivery: 3-5 days by air. 10-15 days by sea

--Packing: one piece into one plastic bag, 3 pieces into one box.

--Regular lead time: 3-5 days if goods are in stock. 15-20 days if goods are not in stock. ( It depends on quantity)





Contact us now for more information:

Email: [sales03@launch-china.cn](mailto:sales03@launch-china.cn)

Mob/Whatsapp: +8613686807796