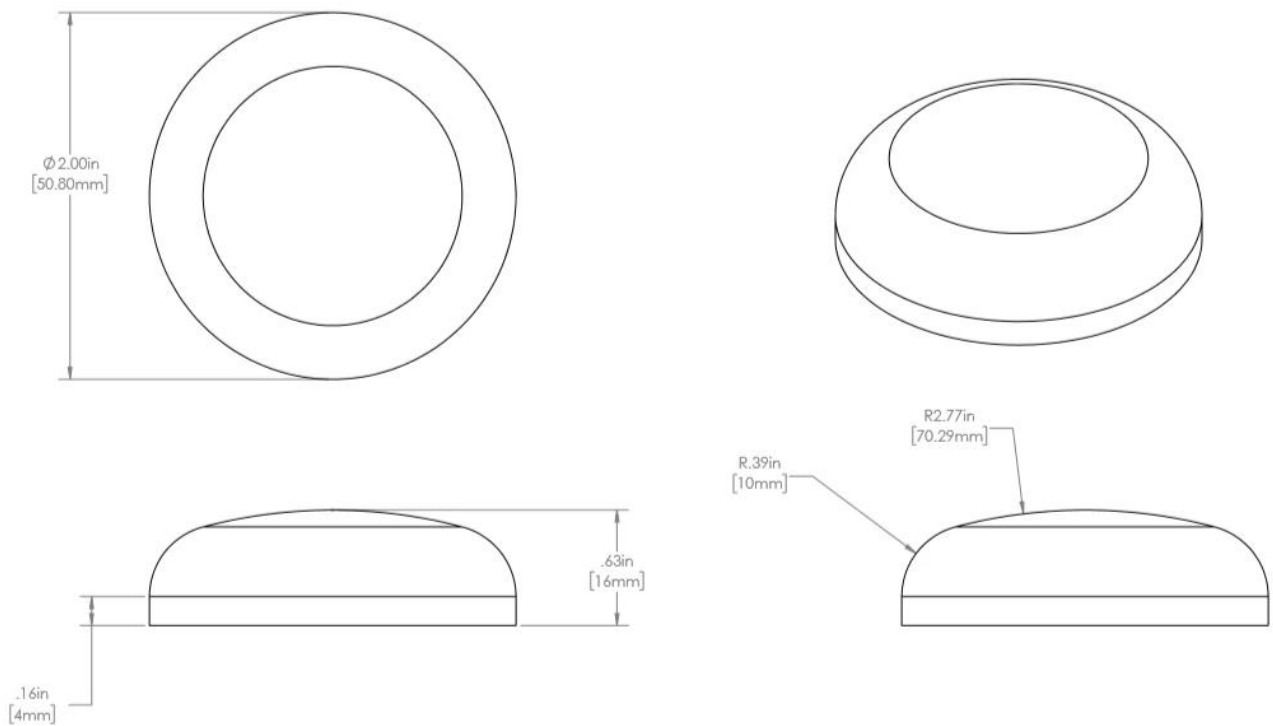


CNC Machining 2" Solid Design Handrail Tube Fittings Stainless Steel Pipe Domed End Cap



Technical Drawing:



Other designs of handrail fitting stainless steel pipe end caps:



Please feel free to contact us:

sales03@launch-china.cn

HP/WhatsApp: +8613686807796