

Frameless Handrail Balustrade Stair Railing Stainless Steel Post



1. Stainless Steel Square Spider Post Baluster Specifications :

Product Name	Frameless Handrail Balustrade Stair Railing Stainless Steel Post
Model No.	LCH-121
Material	Stainless steel 304/316
Finish	Brushed or mirror polished
Square post size	50 x 50 x 1.5mm wall thickness 40 x 40 x 1.5mm wall thickness
Height	Customizable
For glass thickness	10-15mm
Application	Balcony railing design Porch railing design Deck railing design Stair railing design

End post with 1 way spider fitting

Middle railing post with 2 way spider fitting

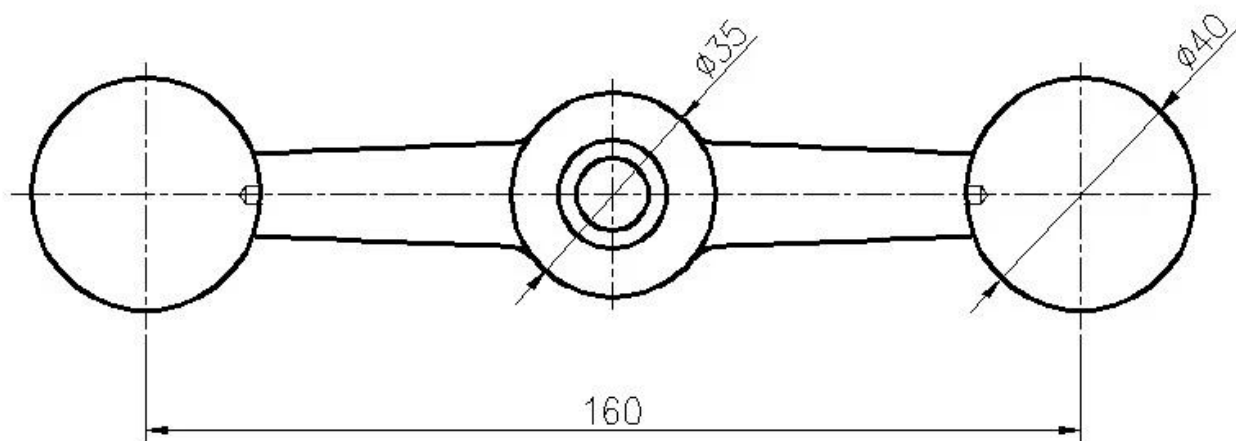
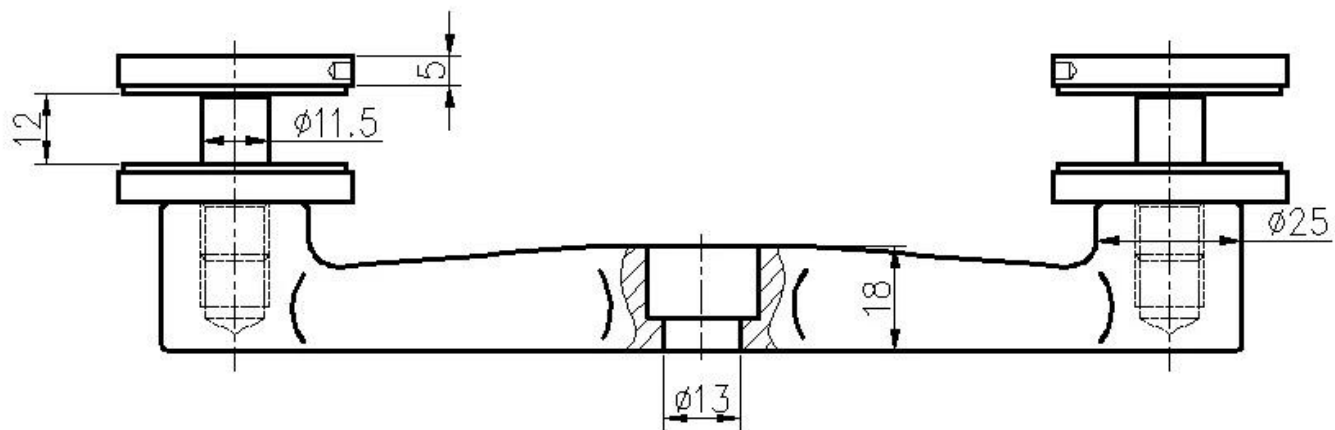
Standard Hight: 1100mm (customer post hights available)

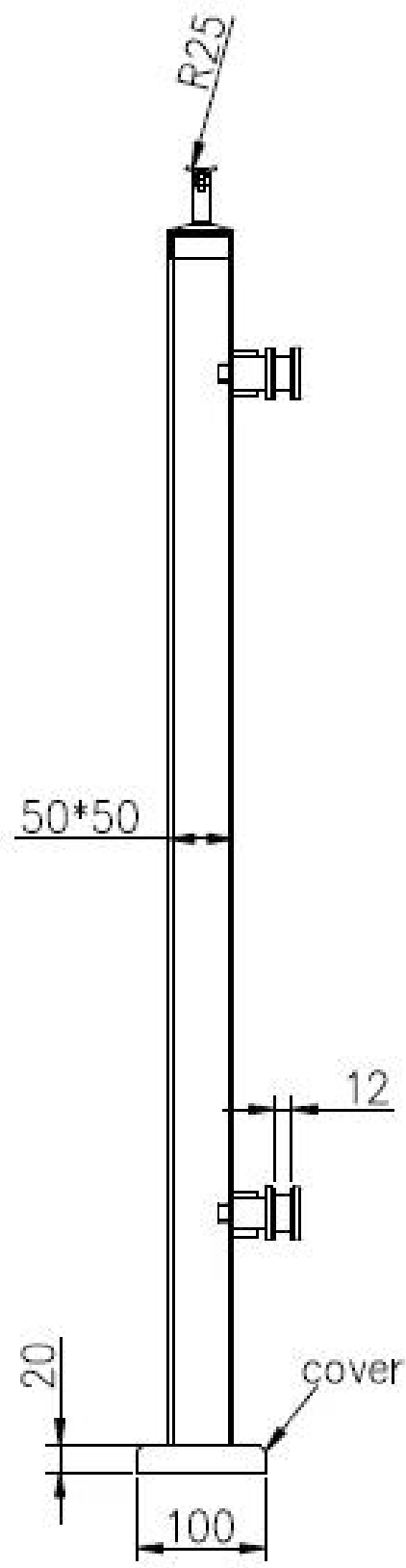
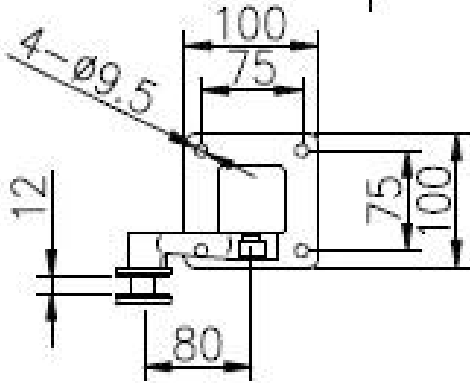
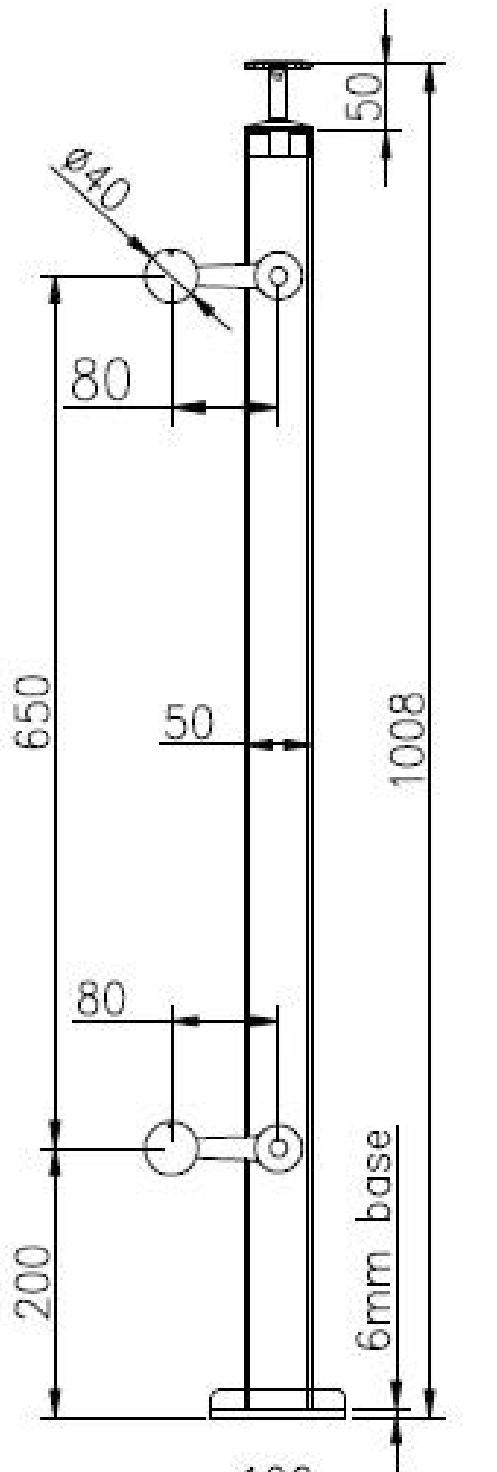
Designed for 10-15mm glass or as per your requirement

Adjustable angles stand off design for staircase or balcony etc.



2. Stainless Steel Square Spider Post Dimension Drawing For your reference :



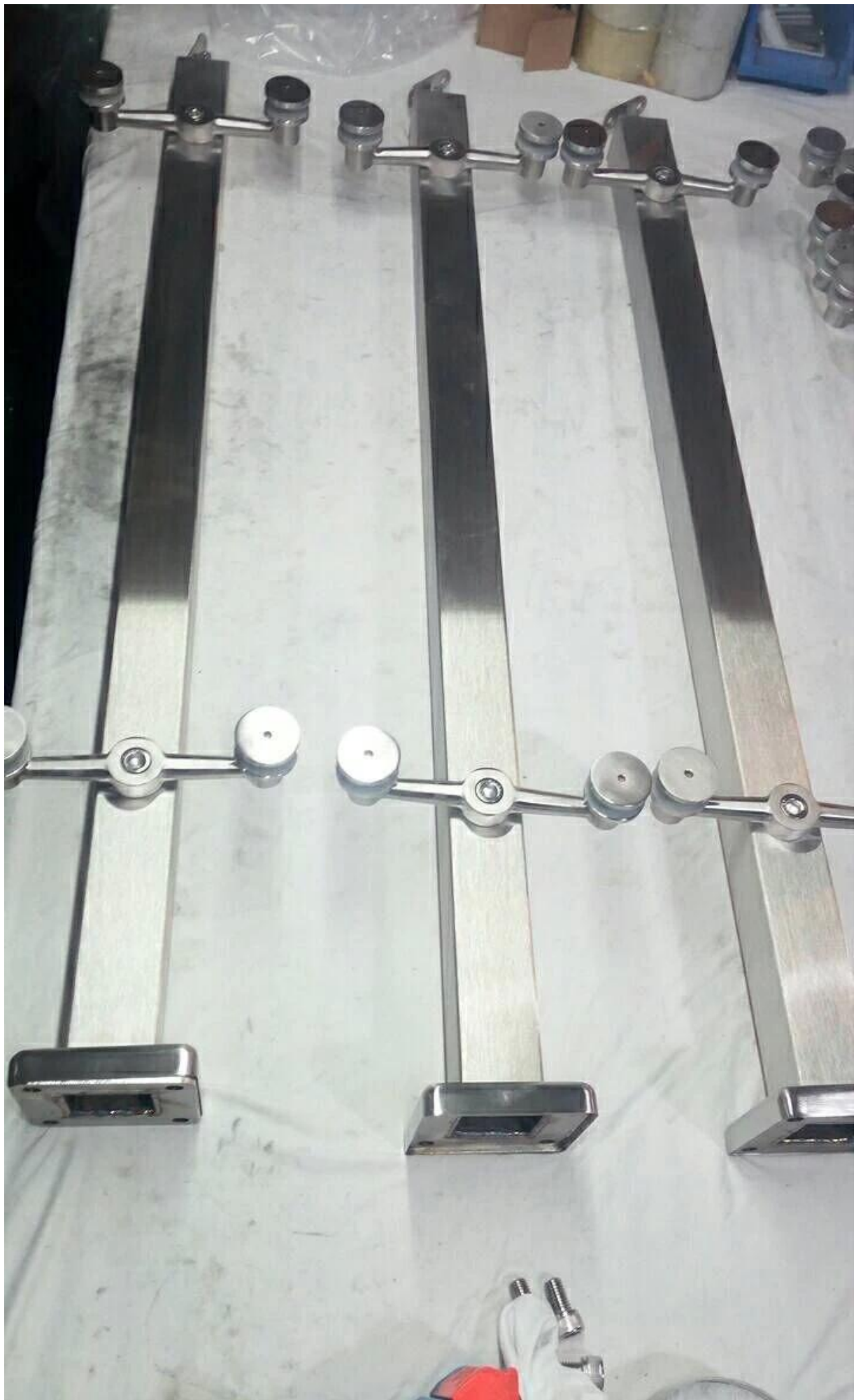


3. Frameless Handrail Balustrade Stair Railing Stainless Steel Post :
Top Adjustable Handrail Bracket for square or round tube handrail :



2 Way Intermediate Post :





1 Way End Post :



4. Packaging Photos : 1pc/plastic bag, 2 - 4pcs/ctn.





Project Photos:



KEBIL 科比奥®



Please contact us freely for more information:

Email: sales03@launch-china.cn

Contact: Eve Chow

HP/WhatsApp/WeChat: +8613686807796