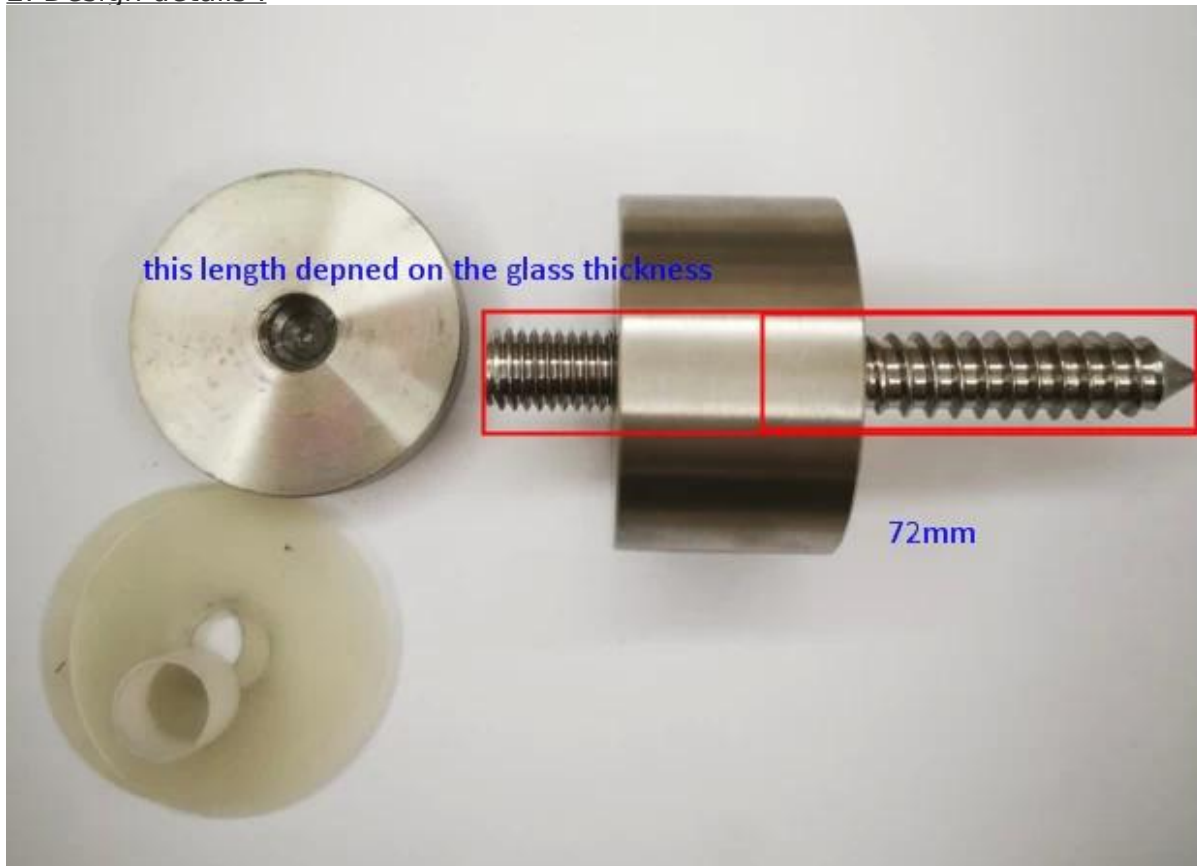


High quality Stainless Steel Railing glass Standoff

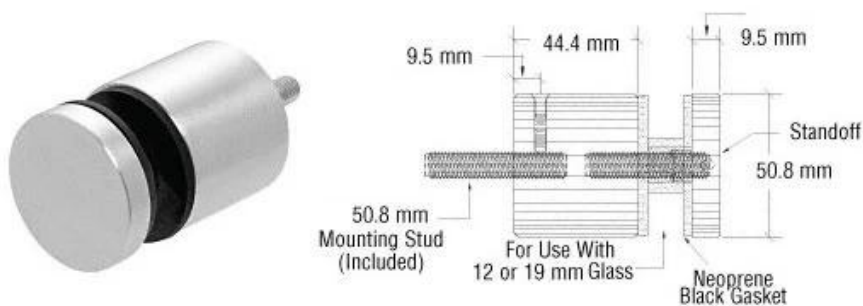
1. Standoff details :

- High Grade Alloy 316 Stainless Steel Standard
- Finish: Brushed (Mirror polished also available)
- Compact Design with Base, Cap, and Mounting Stud
- For Use with 1/2" or 3/4" (12 or 19 mm) glass
- For Mounting to Steel, Concrete, or Wood Substrate

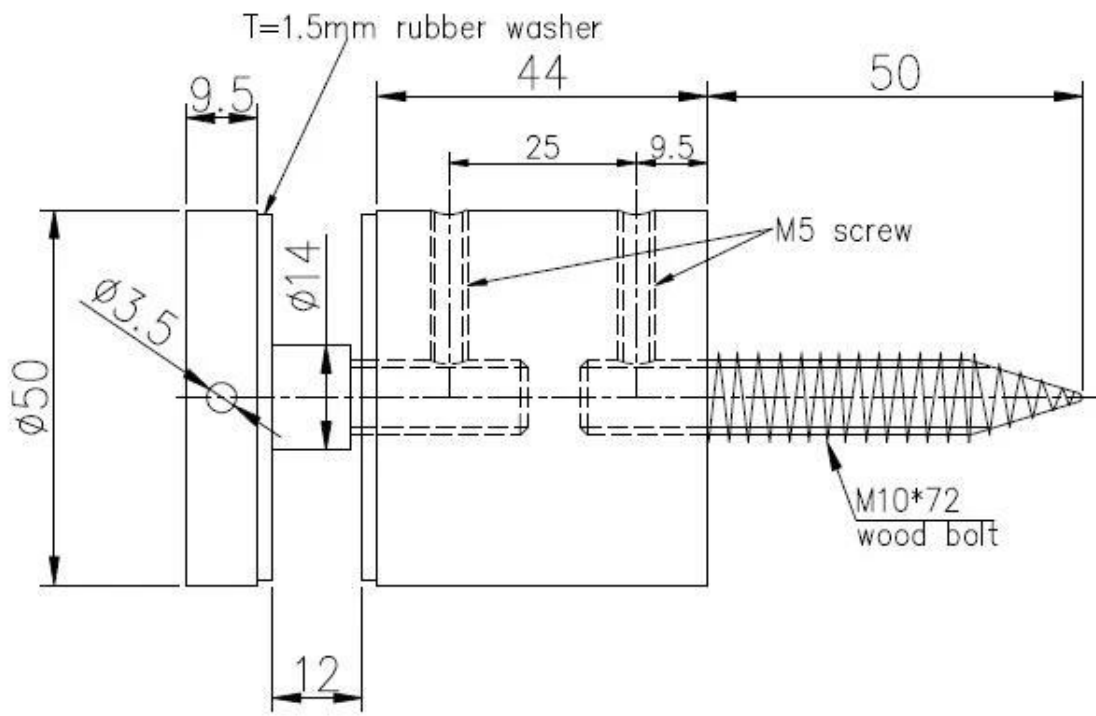
2. Design details :



C.R. LAURENCE design drawing :



We actually production drawing, as customer request, which fitting for 12mm glass :



3. Elegant Performance photos :







Back section Screw in separately packaging :



Please feel free to contact us with any questions you might have.

