

Spider Balustrade Post For Balcony Stainless Steel Railing

1. Spider Balustrade Post Specifications :

Material: stainless steel 316 (304 grade is available)

Finish: polished or brushed

Square post size: 50 x 50 x 1.5mm wall thickness (customer size post is available)

End post with 1 way spider fitting

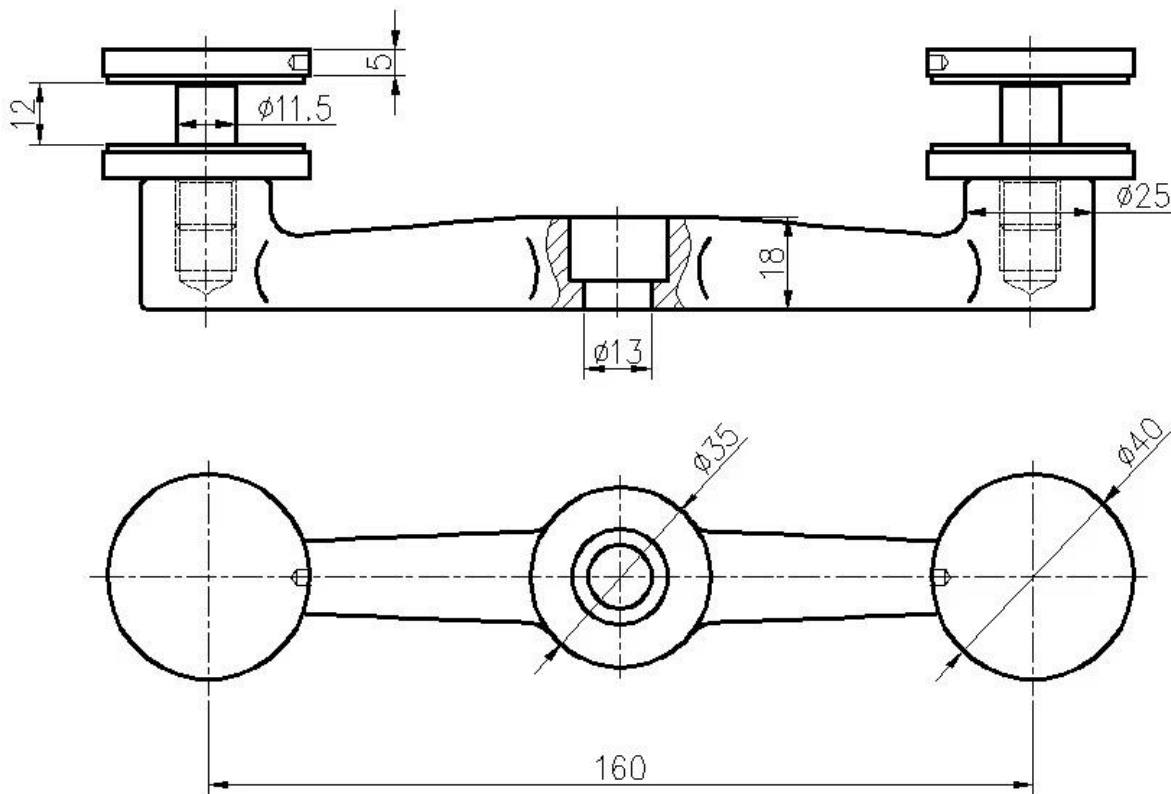
Middle railing post with 2 way spider fitting

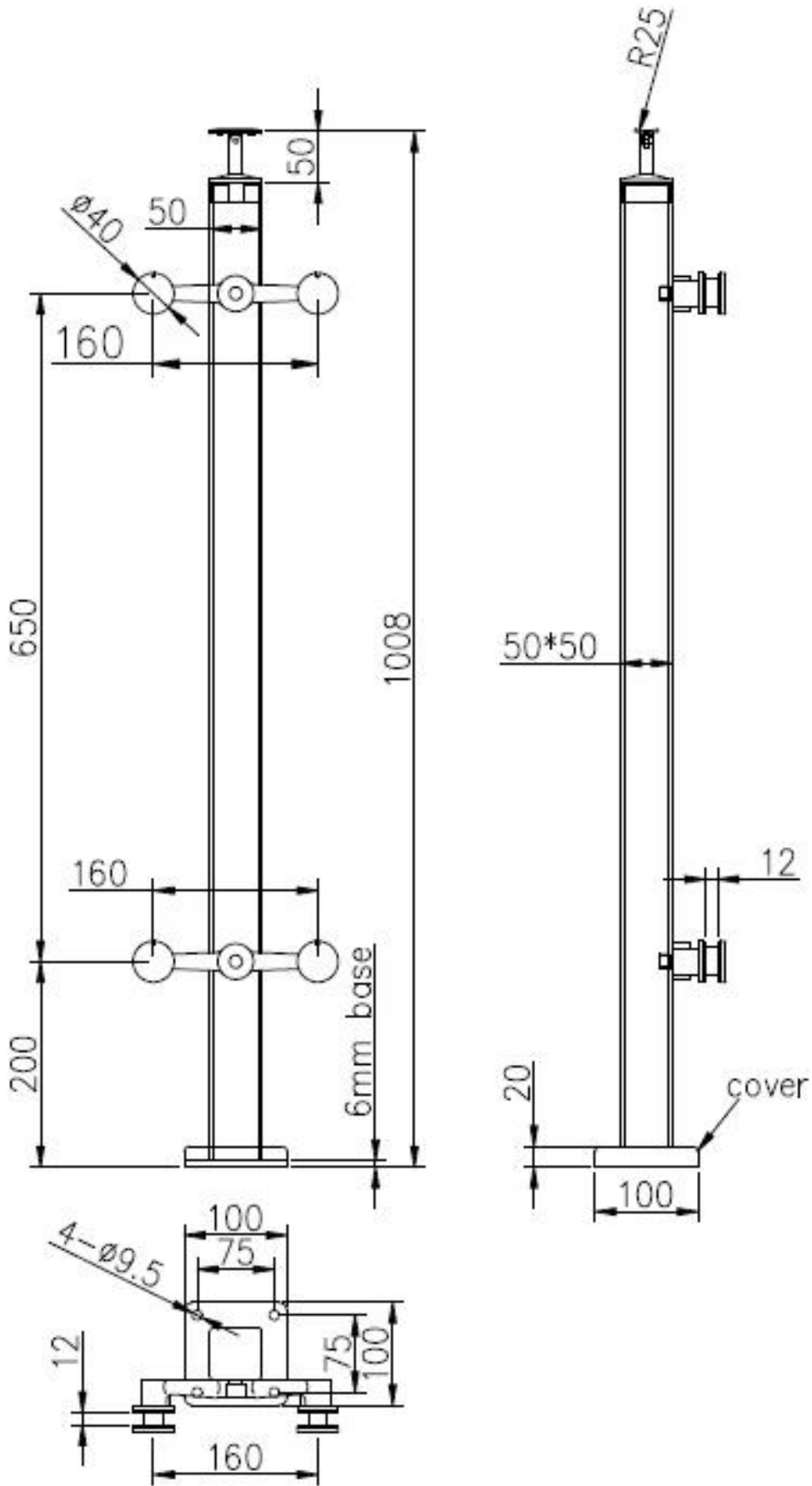
Standard Hight: 1100mm (customer post hights available)

Designed for 10-15mm glass or as per your requirement

Adjustable angles stand off design for staircase or balcony etc.

2. Post Dimension Drawing :





3. Stainless Steel Spider Balustrade Post Photos :









4. Packaging Photos : 1pc/plastic bag, 4pcs/ctn.





If you need price details please contact below email address

Email: sales05@launch-china.cn