

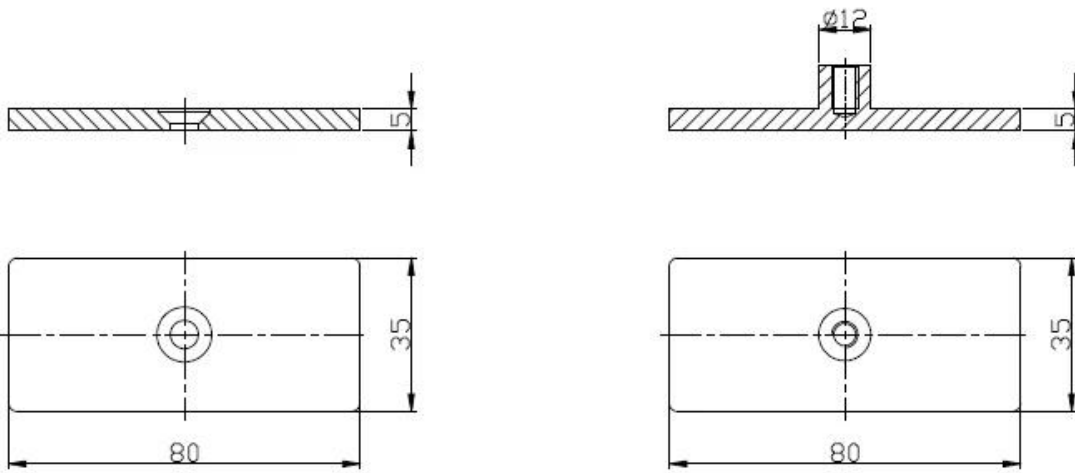
Description

- Made of stainless steel 316 (stainless steel 304 is available)
- Polished or brushed finish
- For 10-12mm glass
- Size: 80x35mm
- Net weight: 227g/piece
- For use in 180 degree tempered glass panel
- Minimum order quantity: one piece
- Sample: available
- Customer size glass clamps: available (We are factory)
- OEM products is welcomed

Glass clamp BC-80X35 details

Glass clamps size





Side view





Project



Delivery & Packing

--Delivery time: 5-7 days by air. 15-20 days by sea.

--Packaging: one pc into one plastic bag, then into one white box, 10 pcs into one carton

--Regular lead time: 7 days if products are in stock. About 20 days if products are not in stock. It depends on quantity.

Need a quote or any questions, please leave a message.

Or contact me as below info. will get back to you as soon as possible!

For any urgent enquiry, please get in touch on wechat: 973219879 or what's up: +86 13530506265

KEBIL 科比奥

深圳市朗驰商贸有限公司
SHENZHEN LAUNCH CO., LTD.

朗驰国际有限公司
LAUNCH INTERNATIONAL LIMITED.

董 萍 Doris Dong

Senior Sales Representative

☎ (86) 135 3050 6265

深圳市南山区南山大道1092号亿利达大厦B区3栋5003

Room 5003, Building 3, Yilida Building, No.1092
Nanshan Road, Nanshan District, Shenzhen, China
postal code 518054

☎ (86-755) 8603 7559

☎ (86-755) 8637 2611

✉ sales04@launch-china.cn

🌐 www.launch-china.com
www.chinabalustrade.com