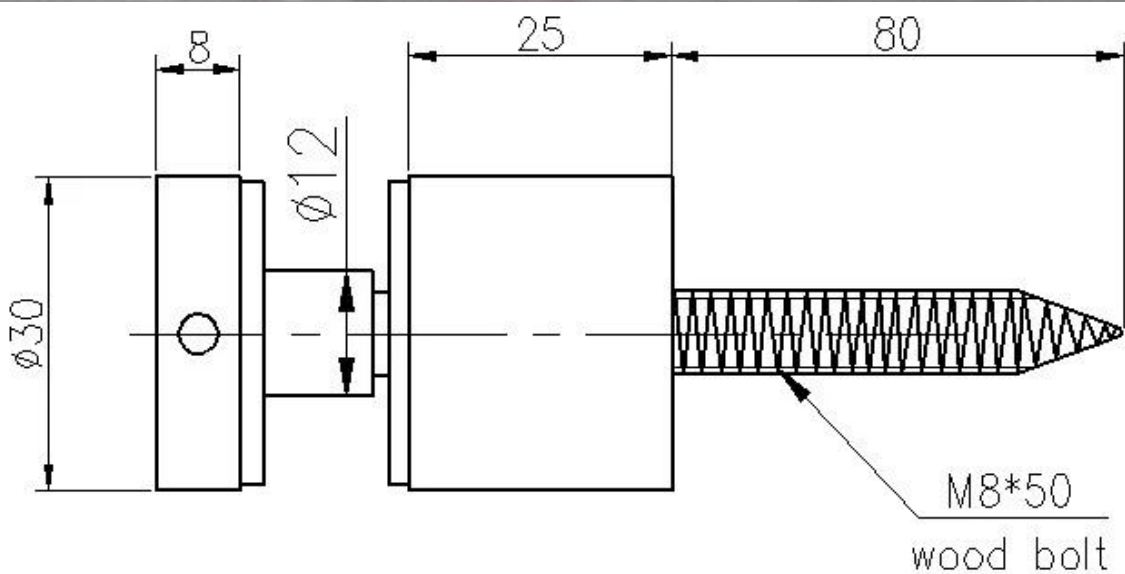


Description

- Material: high grade alloy 316 stainless steel, or as per your requirement
- Finish: brushed or polished
- Diameter 30mm (customer size is available)
- Net weight: 245g/piece
- For mounting wood substrate (for concrete mounting is available)
- For glass thickness: 8-12mm, or as per your requirement
- Base, cap, mounting screw , rubber washers are included.
- Sample: available to check quantity before placing an order

Glass standoff SF-30 details

Customer screw lengths are available





Glass standoff SF-30 project show

Standoff for outdoor balcony glass railing design



Standoff and [handrail bracket](#) design for indoor stair case glass railing



Packing & Delivery

--One piece into one plastic bag, then into one box. 15-20 boxes into one carton.

--Delivery time: 3-5 days by air. 10-15 days by sea

--Regular lead time: 7 days after payment if product are in stocks. 15-20 days after payment if products are not in stocks. It depends on quantity.



Need a quote or any questions, please leave a message.

Or contact me as below info. will get back to you as soon as possible!

For any urgent enquiry, please get in touch on wechat: 973219879 or what's up: +86 13530506265

KEBIL 科比奥

深圳市朗驰商贸有限公司
SHENZHEN LAUNCH CO., LTD.

朗驰国际有限公司
LAUNCH INTERNATIONAL LIMITED.

董萍 Doris Dong

Senior Sales Representative

☎ (86) 135 3050 6265

深圳市南山区南山大道1092号亿利达大厦B区3栋5003

Room 5003, Building 3, Yilida Building, No.1092
Nanshan Road, Nanshan District, Shenzhen, China
postal code 518054

☎ (86-755) 8603 7559

☎ (86-755) 8637 2611

✉ sales04@launch-china.cn

🌐 www.launch-china.com

www.chinabalustrade.com