

Shenzhen Launch can produce spring loaded glass hinge for swimming pool glass facing, one pair glass hinge can carry 30kg glass gate, gate wall thickness prefers to 8-12mm. Here introduced below several types for your review. Welcome your inquiries.

Product Show

Spring loaded hinges

Stainless steel spring loaded hinges

-Made of SS 316

- For use of 8-12.76mm glass

Maximum door leaf weight : 30 kg /pair

Maximum door leaf width : 900mm

Spring can be adjusted for closing speed control .



Part # G-G



Part # G-R



Part # G-W

SHENZHEN LAUNCH CO., LTD

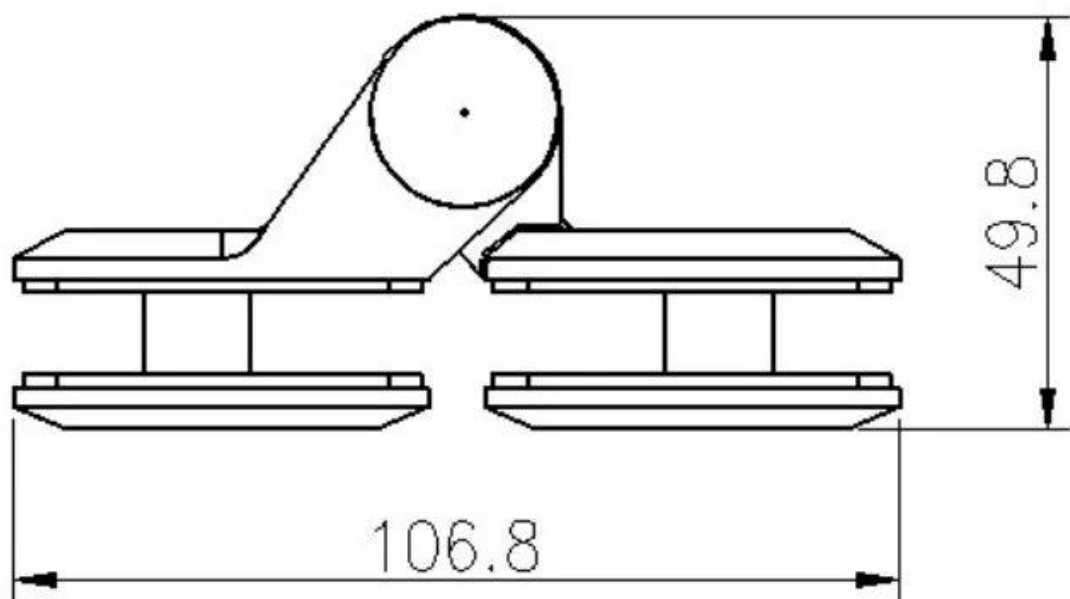
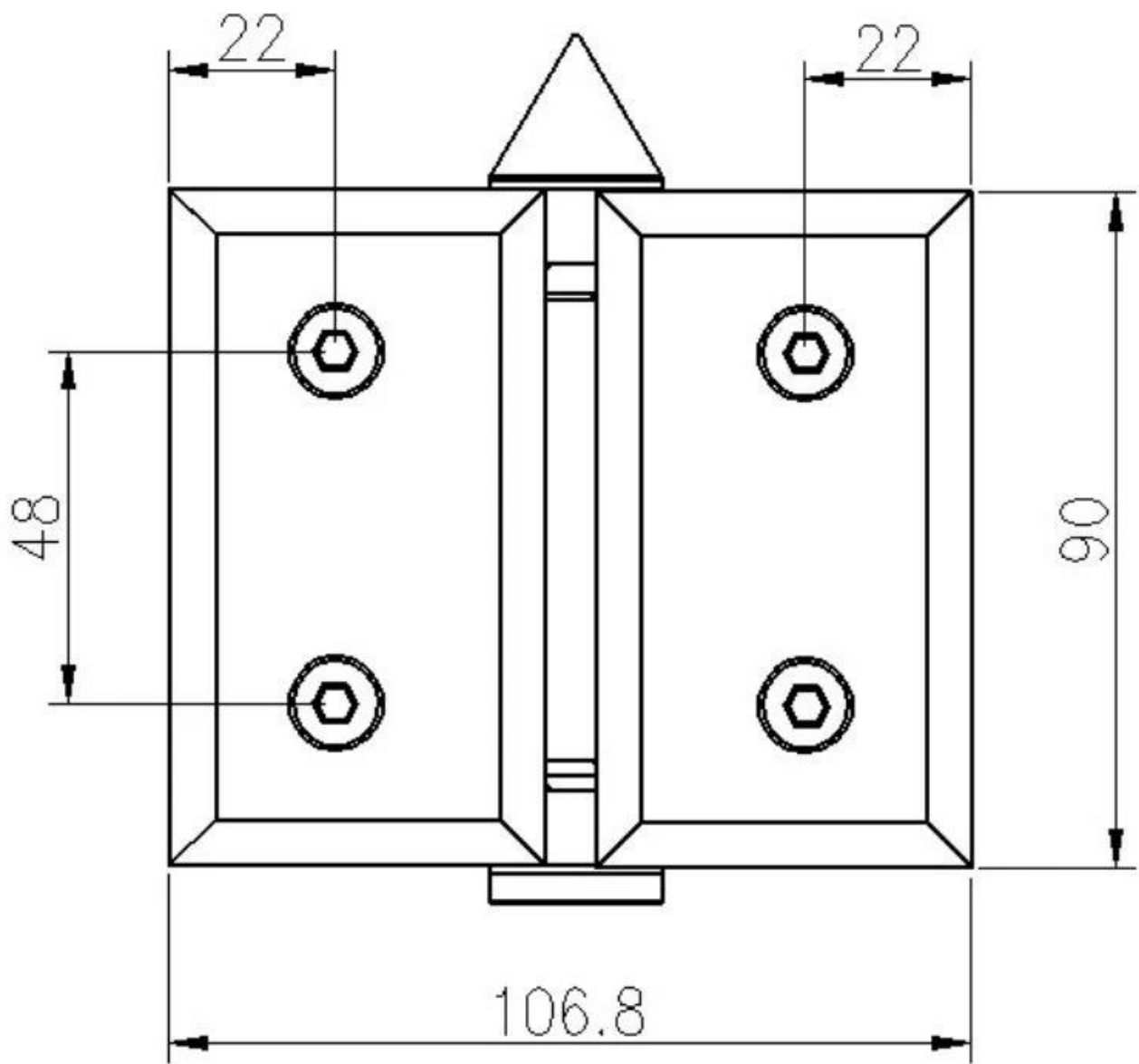
1

Glass to Glass type

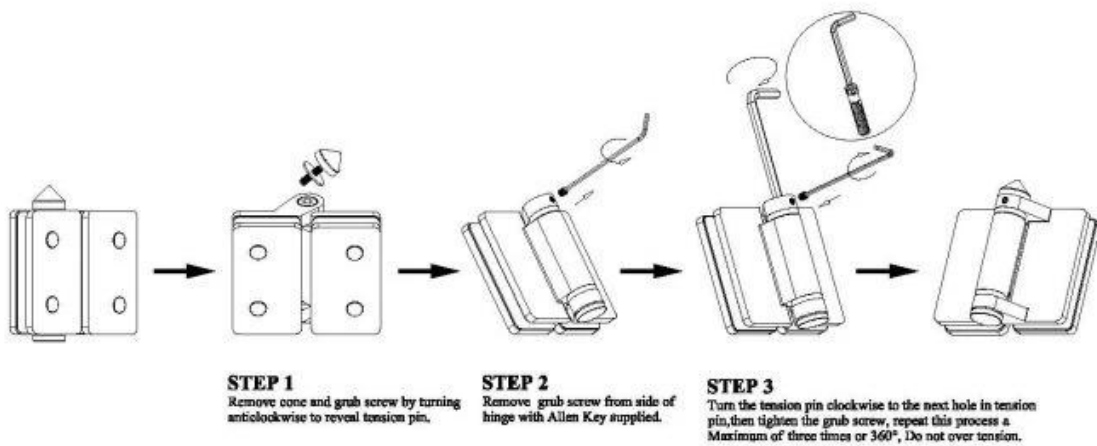
Model No.: [G-G](#)

KEBIL 科比奥®





Instructions for adjusting tension on Glass to Glass hinge

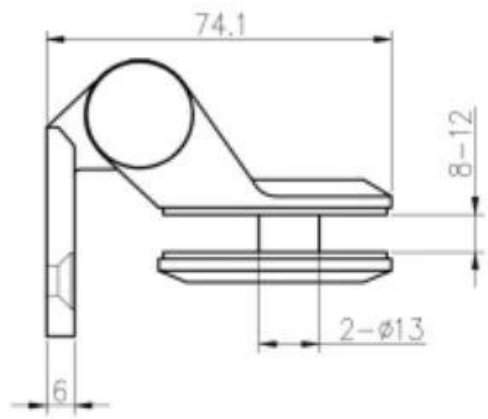
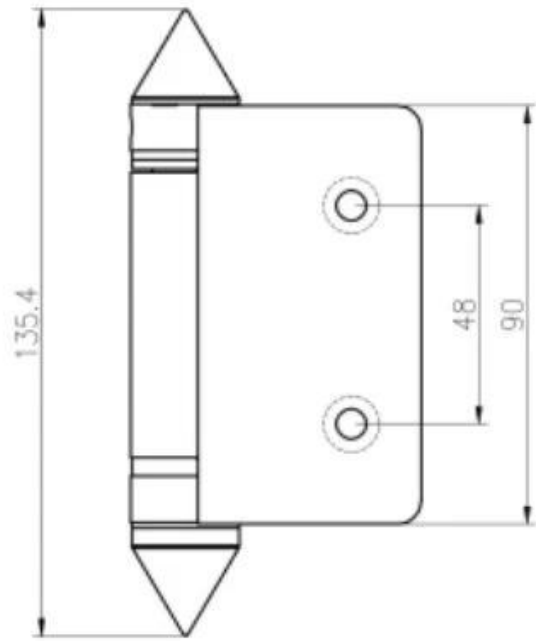
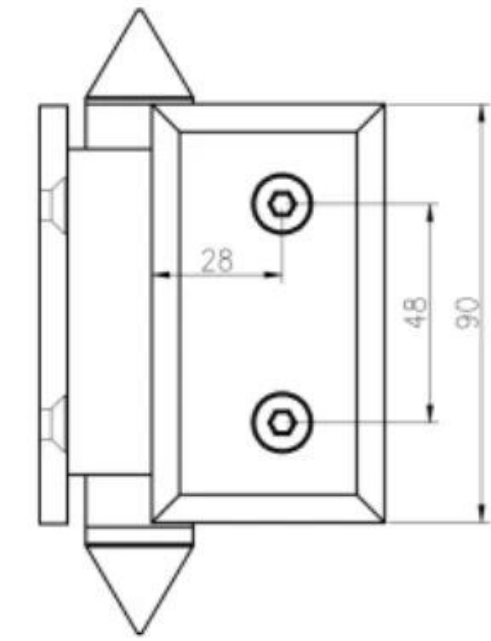


Glass to Wall type

Model No.: G-W

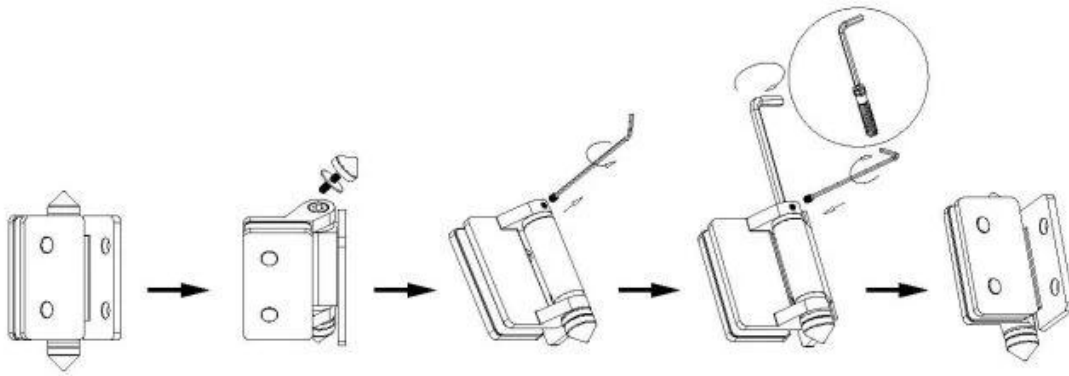
KEBIL 科比奥®





G-W

Instructions for adjusting tension on Glass to Wall hinge



STEP 1
Remove cone and grub screw by turning anticlockwise to reveal tension pin.

STEP 2
Remove grub screw from side of hinge with Allen Key supplied.

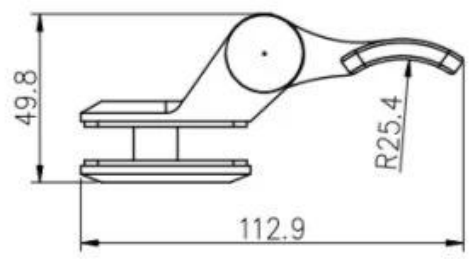
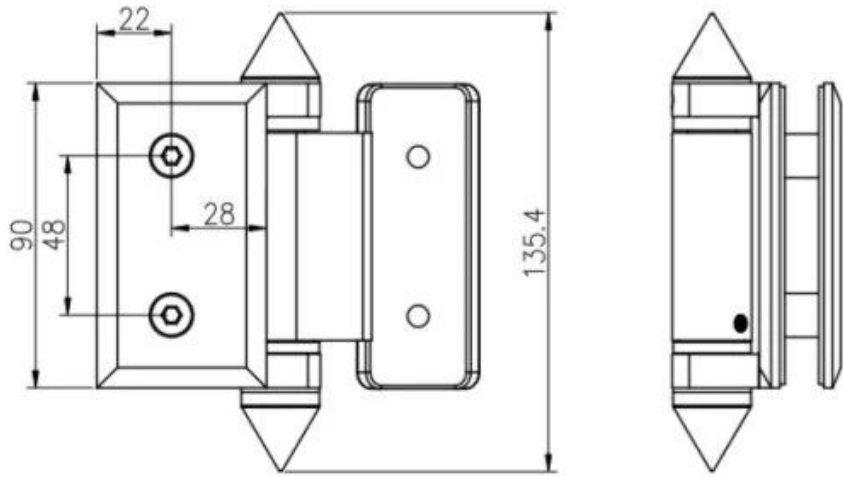
STEP 3
Turn the tension pin clockwise to the next hole in tension pin, then tighten the grub screw, repeat this process a Maximum of three times or 360°, Do not over tension.

Glass to Round type

Model No.: G-R

KEBIL 科比奥®

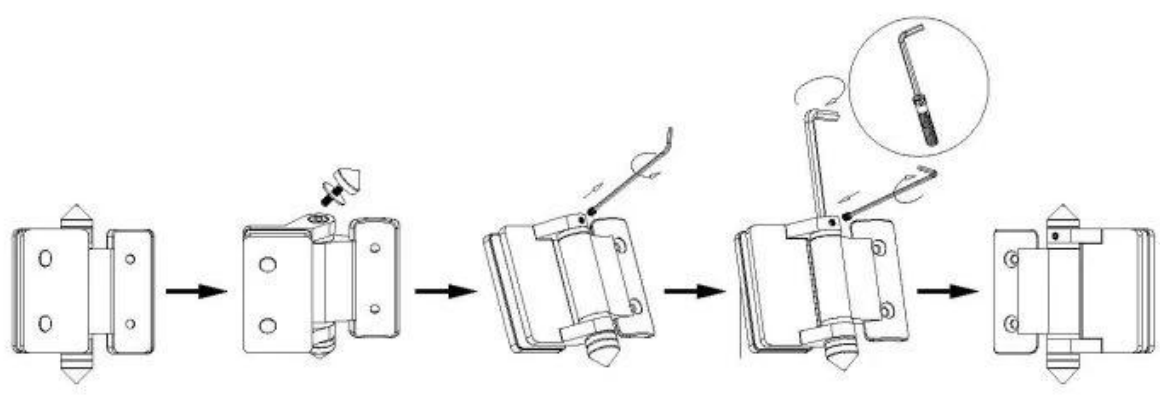




深圳市朗驰商贸有限公司 SHENZHEN LAUNCH CO., LTD.		表面处理	比例
设计	Jacky	材料	1:1.5
校对	图号:G-R	未注实体尺寸公差	
工艺		X	±0.1
审核		XX	±0.1
批准	版次	XXX	±0.1
	V001	X	±1°
		角度公差	XX
			±0.5°



Instructions for adjusting tension on Glass to Round post hinge



- STEP 1**
Remove cone and grub screw by turning anticlockwise to reveal tension pin.
- STEP 2**
Remove grub screw from side of hinge with Allen Key supplied.
- STEP 3**
Turn the tension pin clockwise to the next hole in tension pin, then tighten the grub screw, repeat this process a Maximum of three times or 360°, Do not over tension.

Mass Production





Packing Picturer

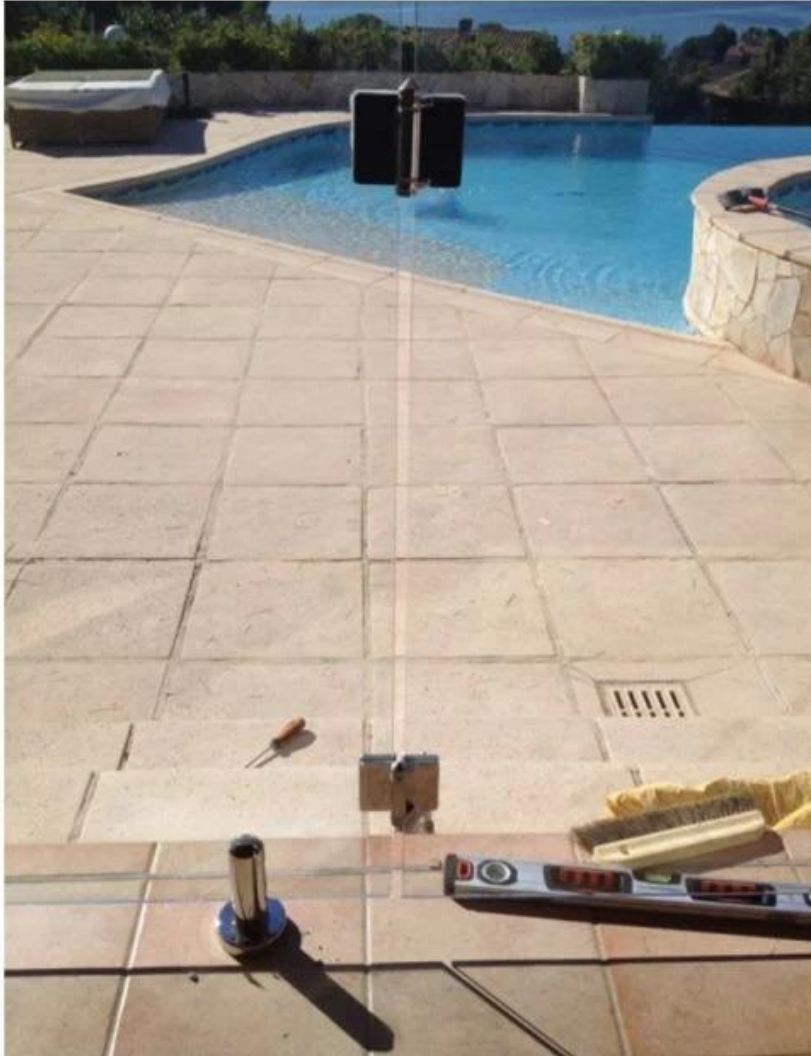


Application Picturer





KEBIL 科比奥® SHENZHEN LAUNCH CO.LTD
LAUNCH INTERNATIONAL LIMITED



Other related products

Spring loaded hinges

Stainless steel spring loaded hinges

-Made of SS 316

- For use of 8-10mm glass

Maximum door leaf weight : 20 kg /pair

Maximum door leaf width : 900mm

Spring can be adjusted for closing speed control .



Part # G-G2



Part # G-R2



Part # G-W2



G-G 1



G-R 1



G-W 1

Glass to glass hinge



Glass to round post hinge



Glass to wall hinge



Latch for round post



Latch for glass



Latch for wall



launch-china.en.alibaba.com

180 degree shower hinge
glass to glass hinge



90 degree shower hinge
wall to glass hinge



Should you have any interests, please feel free to contact me.

Frank Fang

Phone/Wechat/Whatsapp: +8615906261741

Email: sales02@launch-china.cn