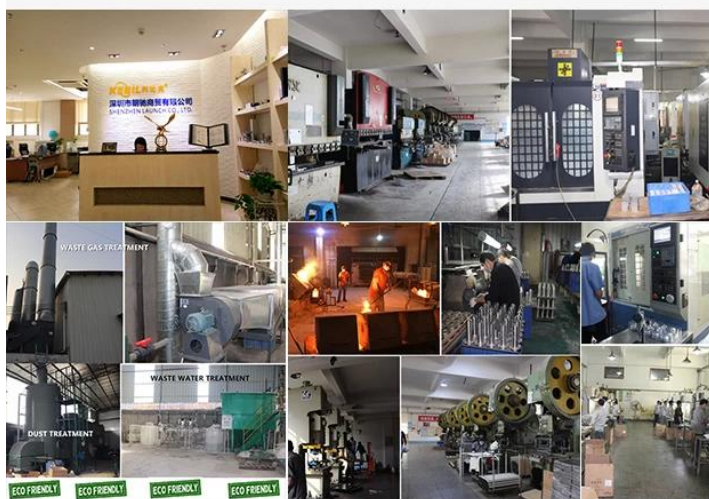


ABOUT US

Shenzhen Launch Co., Ltd was established in 2004, located at Nanshan District, Shenzhen, and one hour by car from Hongkong International Airport. Our main products are high-grade building materials including stainless steel balustrade post, staircase handrail, balcony guardrail, swimming pool fence and other high-grade building materials. All the products are designed strictly according to the high-end market requirements. We have our own factory in Tangxia Town, Dongguan, with more than 50 sets of various precision equipments, such as CNC lathe, milling machine, punching machine, pipe cutter, argon welder, drilling machine, polisher, etc. which can provide customers with complete product processing services.



15 YEARS EXPERIENCE

We have been manufacturing railing hardware since 2004.



ONE STOP SERVICE

We provide integrated railing solutions. We manufacture. We deliver.



PROFESSIONAL R&D TEAM

We have engineering experts for developing new products.



TOP QUALITY & GOOD PRICE

We are strict on quality control as well as cost evaluation.

Waterproof Marine Grade Stainless Steel 316 Deck Railing Cable Pass Fittings

Cable Railing Clip



Cable Protect Sleeve:



Cable Tensioners:

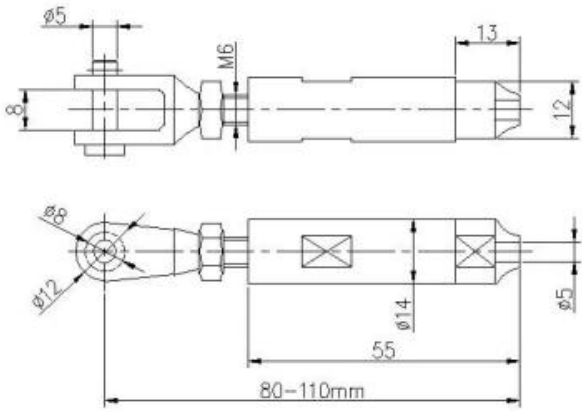




Technical specifications:

| | |
|--------------------------|---|
| Product Name | Excellent Stair Railing Wire Rope Fittings Stainless Cable Railing Deck Railing |
| Material | Stainless steel 304 or 316 |
| Surface Treatment | Mirror polished or satin brushed |
| For cable diameter | 3mm, 4mm, 5mm or 6mm |
| Dimension of round post | Diameter 50.8mm, tube wall thickness 1.5mm |
| Dimension of square post | 50*50(mm), tube wall thickness 1.5mm |
| Handrail | Round diameter 50.8mm, square 50*25(mm) |
| Installation | Self tapping / Explosion bolts / Screws |
| Mounting | Floor mounted / side mounted |
| Application | Balcony, deck, porch, terrace, stair, mall handrail / railings |
| Accessories | Full set accessories available |

Model T803, Swageless design stainless steel cable tensioner for diameter 4mm and 5mm cable:



SWAGELESS TYPE CABLE TENSIONER



Model **T804**, Swage design stainless steel cable tensioner for diameter **5mm** and **6mm** cable:



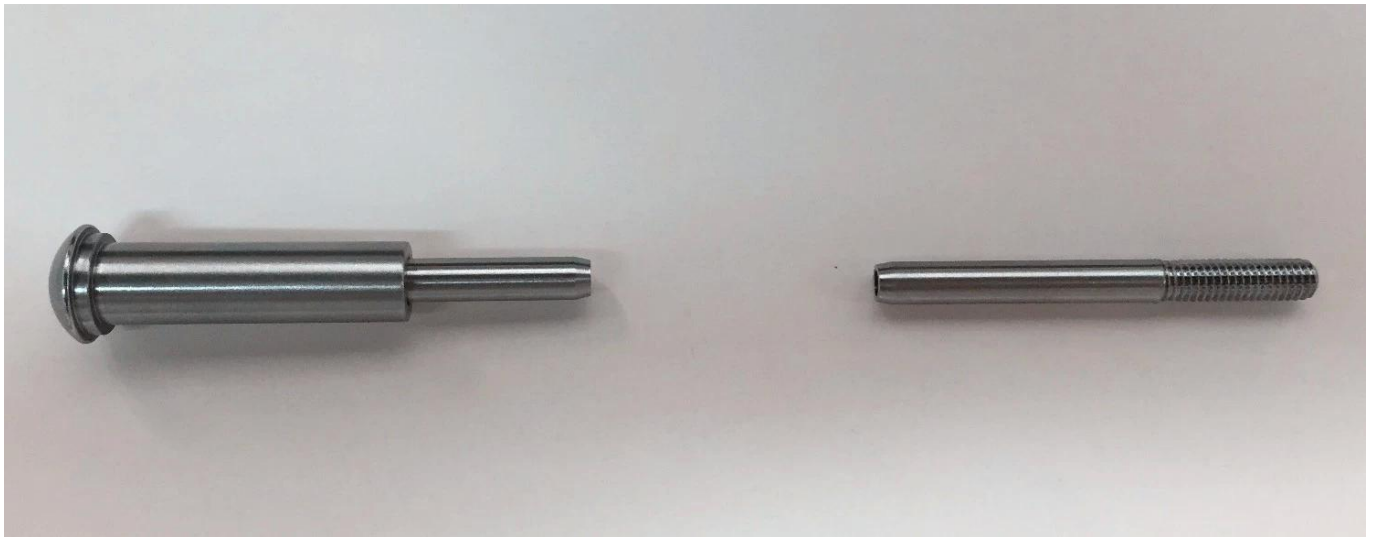
Model **T801**, stainless steel cable tensioner for diameter **3mm** and **4mm** cable:



Model **T802**, stainless steel cable tensioner for diameter **5mm** and **6mm** cable:



Model **T807A**, stainless steel cable tensioner for diameter **3mm** cable:



Project Photos:









More information:

Type 316 stainless steel has the best corrosion resistance among standard stainless steels. It is resistant to corrosion and corrosion of most chemicals and is particularly resistant to salt water corrosion.

These can be used for a variety of applications. Sailboats and yachts, cable railings and shade sails.

- 1) Material: 316 stainless steel or 304 stainless steel**
- 2) Surface finish: mirror polished or satin finish**
- 3) Standard: metric and UNF**
- 4) Customer design: our team of experienced engineers can develop products and manufacture according to samples, drawings or just ideas**
- 5) Delivery: by sea, by air or by express service**
- 6) Price term: FOB or CIF**
- 7) Dimensions: from 3mm to 6mm or according to your requests**
- 8) Type: countersunk flared head, flared flat head and rounded head**
- 9) Packing: clean poly bags and cartons and pallets or as per requests**
- 10) For further cable railing fitting designs, send an e-mail for the complete catalog**

Contact us for more information:

HP/Whatsapp/WeChat: +8613686807796

E-mail: sales03@launch-china.cn