

cable railing system stainless steel handrail design for stairs

Stainless steel cable railing is also called wire railing. It is warm welcomed because it is simple and looks beautiful.

Application areas: indoor staircase balustrade, outdoor staircase balustrade, outdoor balcony or terrace railing, or other places you want

Features:

Components	Specifications	Material	Surface
handrail	Φ50.8 (42.4) x 1.5mm	SS304/SS316	satin/mirror
cable/wire rope	Φ3-8 mm	SS304/SS316	no finish
balustrade post	Φ50.8 (42.4) x 1.5mm	SS304/SS316	satin/mirror

Installation

1. stainless steel cable railing system is easy to install, just screw, no welding.
2. Detailed installation drawing and instruction will be provided

1. stainless steel wire rope tensioner description:

Material: stainless steel 304 or 316

For cable diameter: 3/4/5/6mm

Position: balcony, deck, staircase etc

Model No.: T801, T803, T804, T807A, T809

2. Different model stainless steel wire rope tensioner list,

1). T801 cable tensioner



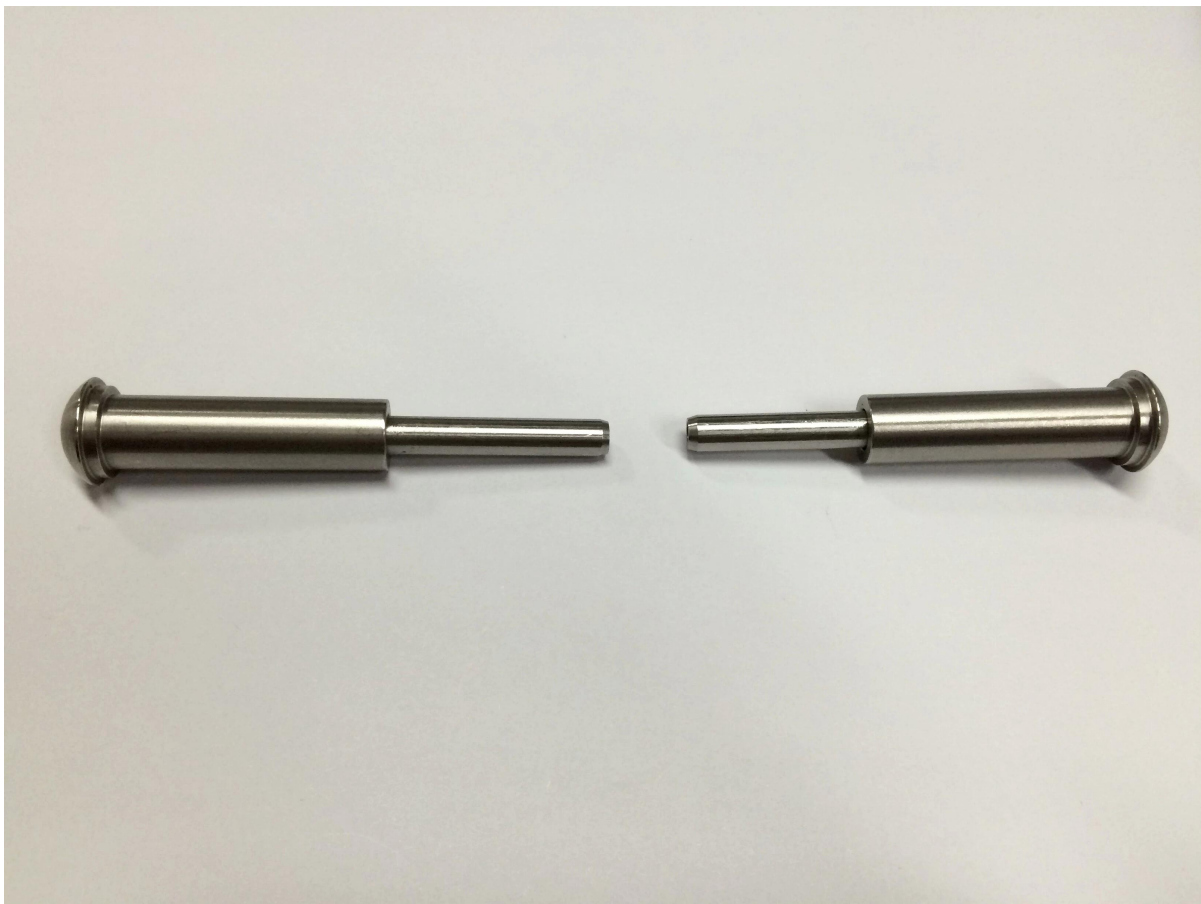
2). T803 cable tensioner



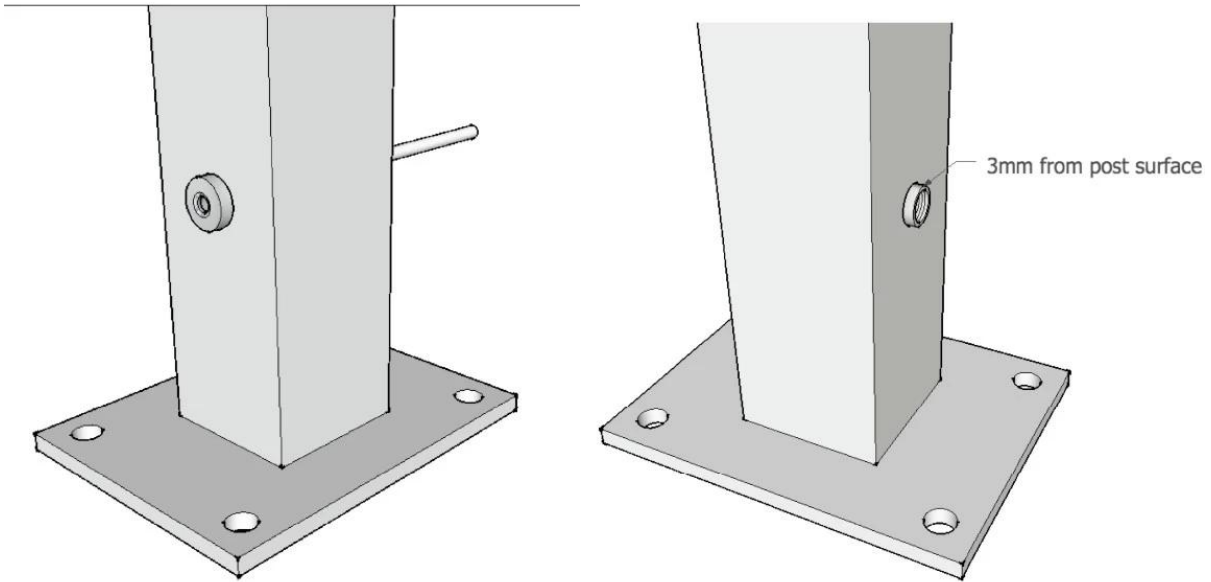
3). T804 cable tensioner



4.) T807A cable tensioner



T807A cable tensioner installation FYI,



5). T809 cable tensioner



3. Cable railing project for your reference,



[Thank you for your visit, any interested or needs, please contact me freely:](#)

Joey Lan

Shenzhen Launch Co., Ltd

www.launch-china.cn www.chinabalustrade.com

Email: sales02@launch-china.cn .

Skype: launch-02 . Office: 86-755-86037559 .

Add: B5-003, 5/F-Block 3, Yilida Building, No.1092 Nanshan Road, Nanshan District,
Shenzhen, china. Postal code 518054.