

Hinge description:

Pool Gate Glass Spring Hinge

Model: Glass to Glass Hinge

Model No.: G-G1

Pool Gate Hardware Kit includes 1 X Magnetic latch and 2 X Self-closing hinges ,all screws and free installation tools.

Marine grade STAINLESS STEEL 316 made with a fantastic great MIRROR or SATIN polish finish.

Suits 8mm/10mm/12mm toughened glass gate

Model G-G1 Glass to Glass Pool Gate Hinge

2 of self-closing spring hinge to suit Glass/ Glass application



G-G1 Hinge dimension:

1 of glass to glass hinge 77.5mm WIDTH

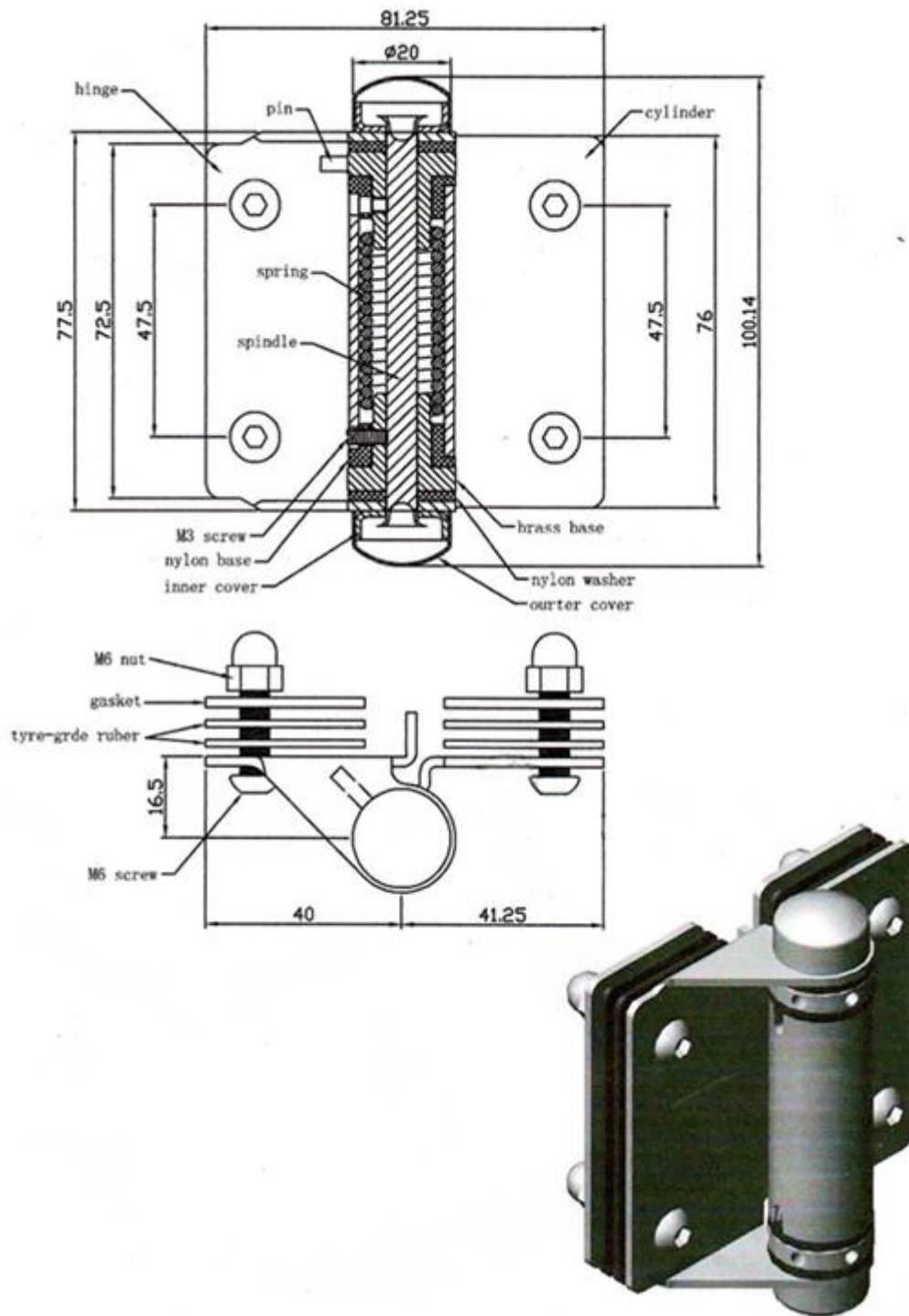
1 of glass to glass hinge 81.25mm LENGTH

1 of glass to glass hinge 16.5mm THICKNESS

Distance between two screws 47.5mm

Hinge cap: diameter 12mm

Please refer to below dimension drawing:



G-G1 Hinge fittings included as follows:

- 1 X hinge
- 1 X pin
- 4 X cylinder
- 2 X spring
- 1 X spindle
- 1 X M3 screw
- 4 X nylon base
- 2 X inner cover
- 4 X brass base
- 2 X nylon washer
- 2 X outer cover
- 4 X M6 nut

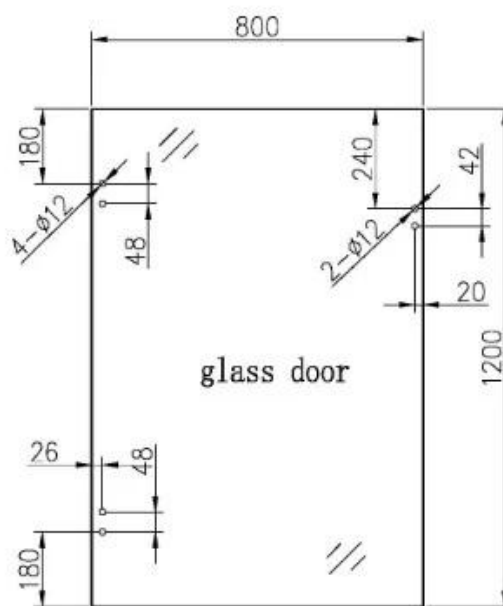
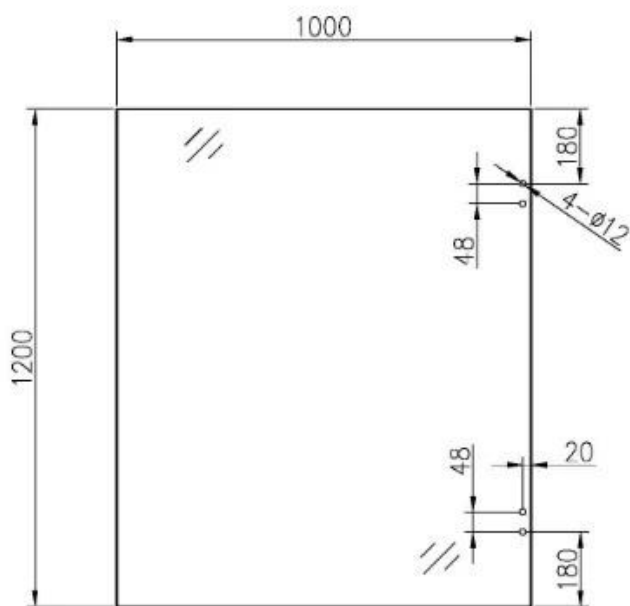
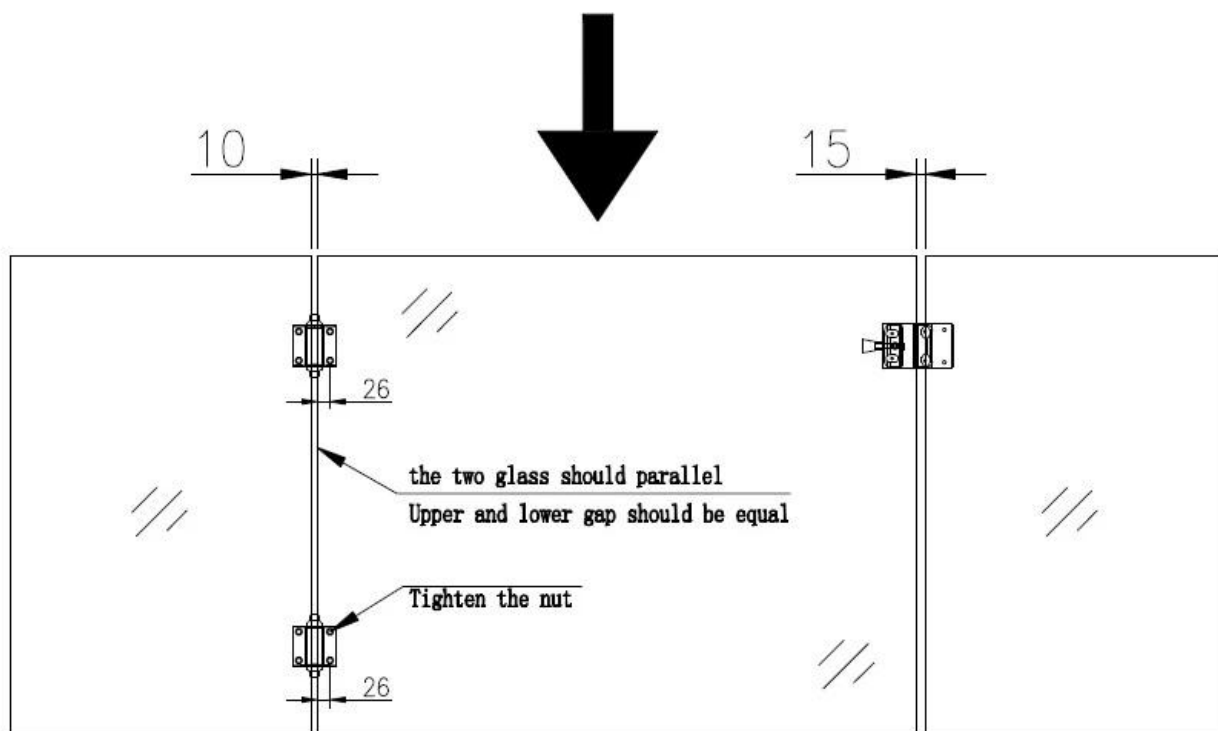
- 2 X gasket
- 4 X regrade rubber
- 4 X M6 screws

G-G1 Hinge technical information:

Glass to gate gap 18mm, suits 8/10/12mm toughened glass gate, will fit onto 10/12mm fixed glass  
 1 of glass to glass hinge with 2 SCREWS GAP 42 mm

Pool gate glass panel hole - 20mm in from glass edge, 42mm apart.

Glass to gate gap 18mm, suits 8/10/12mm toughened glass gate  
 please download here for the technical drawing:



For Glass Pool Gate Hinge & Installation, Please see below video link:

<https://www.youtube.com/watch?v=DKZIF0cAt1M>

For Glass Pool gate hinge Packaging, Please below packaging photos:

