

**duplex 2205 stainless steel square deck glass spigot for frameless glass railings  
for swimming pool , baclony , terarce , staircase etc .**

**Product Description**

---

Product Mame	duplex 2205 stainless steel square deck glass spigot
Material	Stainless steel 316 / duplex 2205
Finish	Mirror polished / satin brushed
For Glass Thickness	8-13.52mm
Height	168mm
spigot base size	100x100mm
Net Weight	1.577kg/piece
Manufacture Method	Casting (high quality)
Packaging Details	1) One piece into one bubble bag, then into one white box 2) 12 pieces into 365x330x230mm cardboard carton 3) Packing as customers' requirements
Application	Swimming pool fence, balcony glass railing, deck frameless glass railing, staircases
Certification	Yes. Meet Australia and New Zealand standards
Sample	Available
MOQ	1 pc
OEM & ODM Service	Available

**duplex 2205 stainless steel square deck glass spigot Destails**

---

1) Glass spigot technical drawing



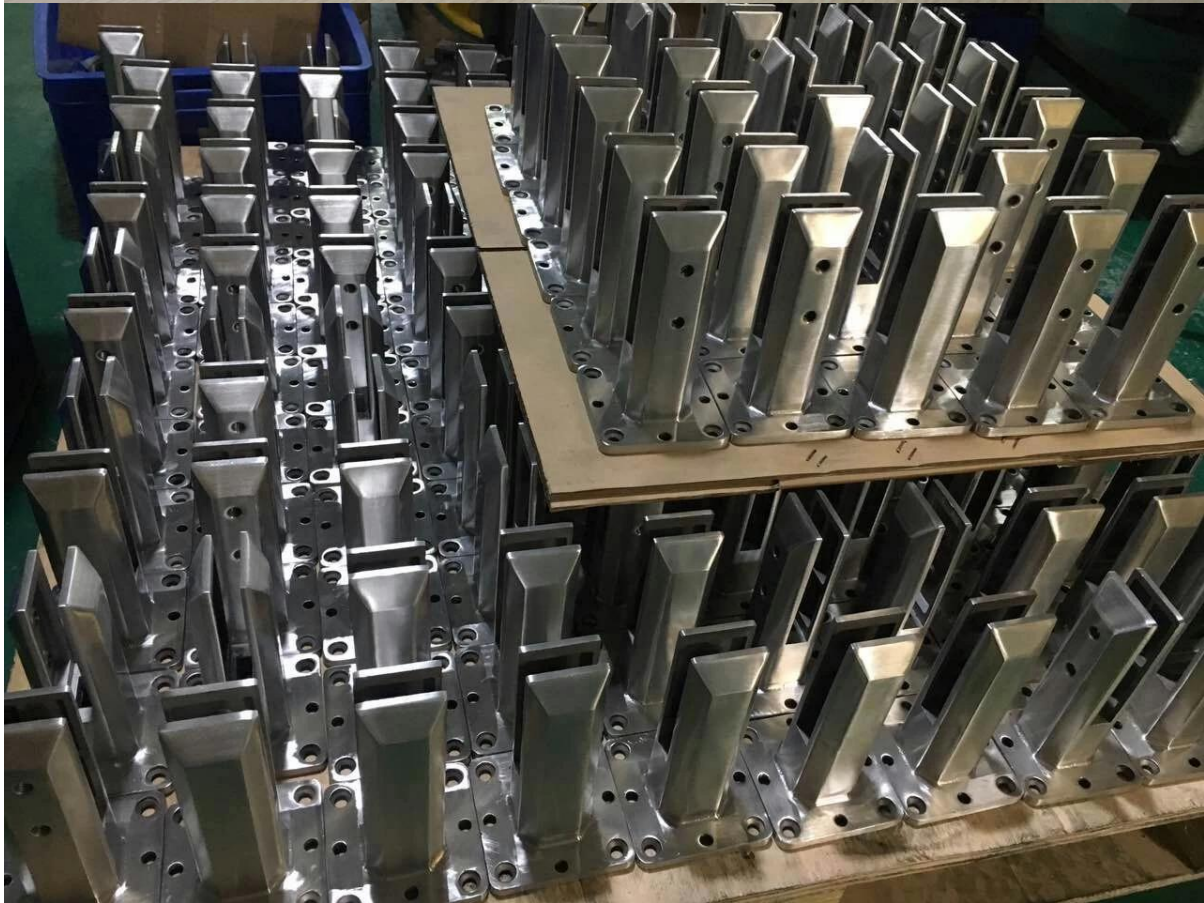
2) duplex 2205 stainless steel square deck glass spigot

**KEBIL** 科比奥®





2012/10/13







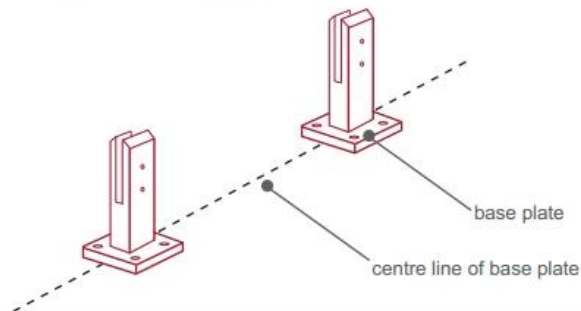
### 3) Installation Guide for duplex 2205 stainless steel square deck glass spigot



#### fixing method: base plate spigots

Mark out the centre line of proposed glass fence with a chalk line. Determine clamp location based on a sheet size (recommendation on pages 1 & 2). Use base plate as a template to mark out the hole positions and drill holes to suit.

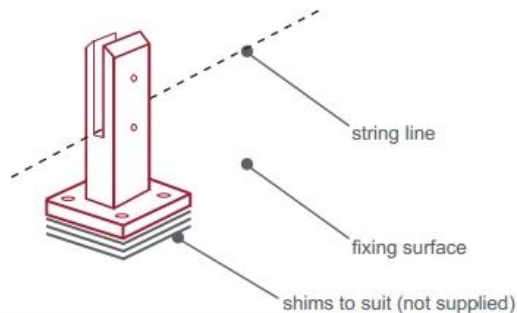
**Note:** Do not exceed 100mm gaps between glass panels. Optimum gap is 40mm to 60mm



Now the base plated spigots can be fitted to the floor and plumbed via shims (not supplied) under the base plates. Be sure to tighten firmly as the smallest of movement at the base plate will result in noticeable movement at the bottom of the glass fence.

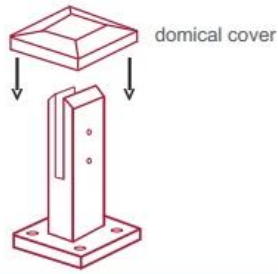
**Tip:** By setting the two outer spigots of your total span, a string line can be run in the 'throat' of the spigots, giving correct height for all spigots in between

**Note:** Do not exceed 100mm gap from the fixing surface to the bottom of the glass



When all spigots are installed, slip domical cover the top of the spigot to hide fixings. It will be necessary to turn the adjustment screws on the spigot face all the way in to allow cover to pass over

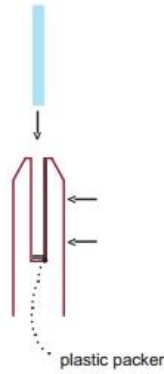
**Note:** Same installation method applies to round base plate spigot



The glass is then installed to the spigots. Place plastic packers between glass & spigot, at no stage should glass touch the metal

**How adjustability works:**

1. Place glass in spigot
2. Fix/ tension glass both sides with allen key



## Safety Packaging for duplex 2205 stainless steel square deck glass spigot

1. One piece into one bubble bag, then into one white box.  
12 pieces into 365x330x230mm cardboard carton.
2. Packing as customers' requirements.





## duplex 2205 stainless steel square deck glass spigot Projects





## FAQ

---

**1.what material do you have ?**

SS304, SS316, SS316L, duplex 2205, ect.

**2.Can you send me your whole price list ?**

Sorry, as the price related to many factors, such as quantity, material type, surface treatment and so on, we will offer you exact quote after we confirm your detailed requirements.

**3.Do you offer OEM & ODM service ?**

Yes, we can make the products according to your technical drawings or samples. We are professional in investment casting, die casting, stamping, CNC machining, etc.

**4.What kind of payment you accept ?**

T/T, L/C, PayPal, West Union, etc.

**5.What is your payment term ?**

T/T (30/70) or L/C at sight.

**6.What is your delivery time ?**

Within 5 workdays for hot-sale items. 15-25 workdays for bath orders.

**7.Do you offer after-sale service ?**

Of course, any question after you purchase our products, we will get back to you within 24 hours.

Company info.



Shenzhen Launch Co., Ltd was established in 2004, located at Nanshan District, Shenzhen, and one hour by car from Hongkong International Airport. Our main product is high-grade building materials includes stainless steel balustrade post, staircase handrail, balcony guardrail, swimming pool fence and other high-grade building materials. All the products are designed strictly according to the high-end market requirements. We have our own factory in Tangxia Town, Dongguan, has a variety of precision equipment more than 50 sets: CNC lathe, milling machine, punching machine, pipe cutter, argon welder, drilling machine, polisher, etc. which can provide customers with complete product processing services. With the German SPECTRO Spectrometer, we insist on testing every batch of materials to ensure that the material is highly qualified. We also have hardness gauge, secondary element and other test equipment to ensure the products meets customers' requirements.

## ABOUT US



# OUR ADVANTAGE

Please do not hesitate to contact us if you have any requirement regarding our production lines, you can expect a timely reply with professional solutions!



Own factory, shortest lead time.



Can help customers design product drawings based on customer ideas and design engineering installation drawing according to the customer site sketch.



Sample order, trial order acceptable.



Provide material test report to ensure that the material is qualified.



13 years of industry experience, we can help customers recommend the best solution to help customers save cost.

# OUR FACTORY

More than 13 years experience in hardware industry design and processing, we can provide customized services from design to the sample and small batch trial production.



# OUR CERTIFICATE

With premium quality, competitive price and superior service, we won a lot of customers' favor.  
Our products are popular in North America, European and Australia.





# PRODUCTION PROCESS



Casting



CNC lathe



CNC Milling



Stamping



Drilling & Tapping



Polishing





# ***PACKAGING & DELIVERY***



# PAYMENT & TRANSPORTATION

Welcome Alibaba Trade Assurance Order!



- 1 Start an order
- 2 Negotiate terms with our sales service & confirm order
- 3 Make payment
- 4 Alibaba provide full assurance



# CONTACT US

WELCOME TO CONTACT US. WE WILL DO OUR BEST TO HELP YOU!



CELIA CHEN



Email : [sales01@launch-china.cn](mailto:sales01@launch-china.cn)



Skype : [launch-01](https://www.skype.com/people/launch-01)



Mob. [86-13590273543](tel:86-13590273543)

