

frameless glass balustrade glass holding hardware multi mount standoffs

[1. Model No: SF-50T multi mount standoffs description:](#)

- 1. Model No. SF-50T
- 2. one set includes two pieces of standoffs and one piece 200x100 stainless plate bracket
- 3. one stainless steel plate with six holes drilled for M10 bolt
- 4. For steel application or wood application
- 5. For glass thickness: 10-19mm or thicker

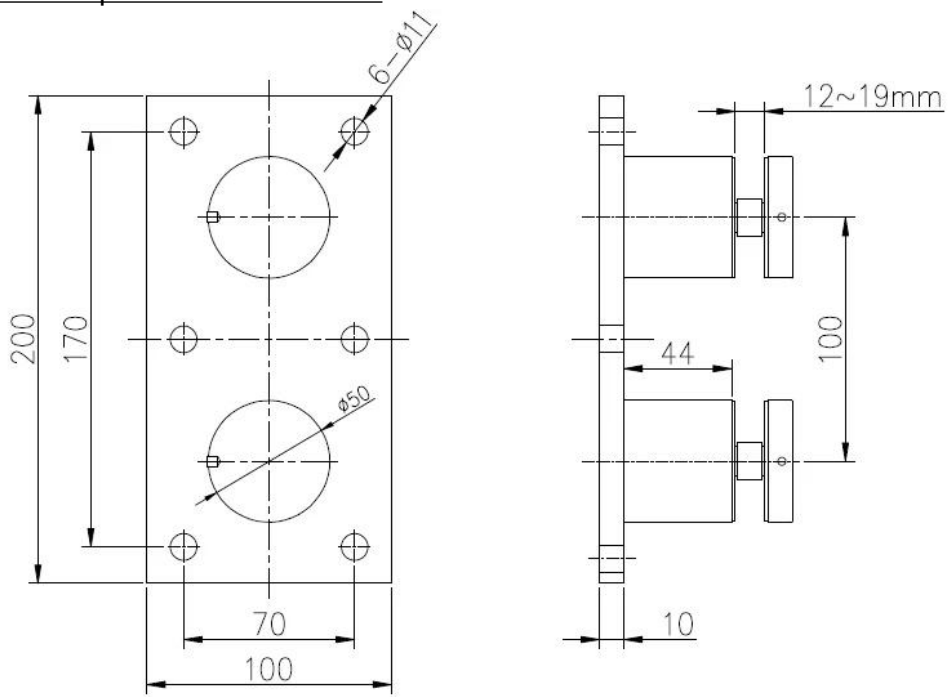


SF-50T



Plate size: 200x100mm, customized as per your demand;
Plate thickness: 10mm; For glass thickness 10-19mm or thicker;

Glass standoff plate size as below:



深圳市朗馳商貿有限公司 SHENZHEN LAUNCH CO., LTD.	Surface treatment	Satin	Prop
--	----------------------	-------	------

[2.Glass railing with multi mount standoffs project for your reference:](#)









Any interested or needs, please contact with me freely :

Contact: Joey Lan

Email: sales02@launch-china.cn .

Skype: [launch-02](https://www.skype.com/name/launch-02) .

Office: [86-755-86037559](tel:86-755-86037559).

