

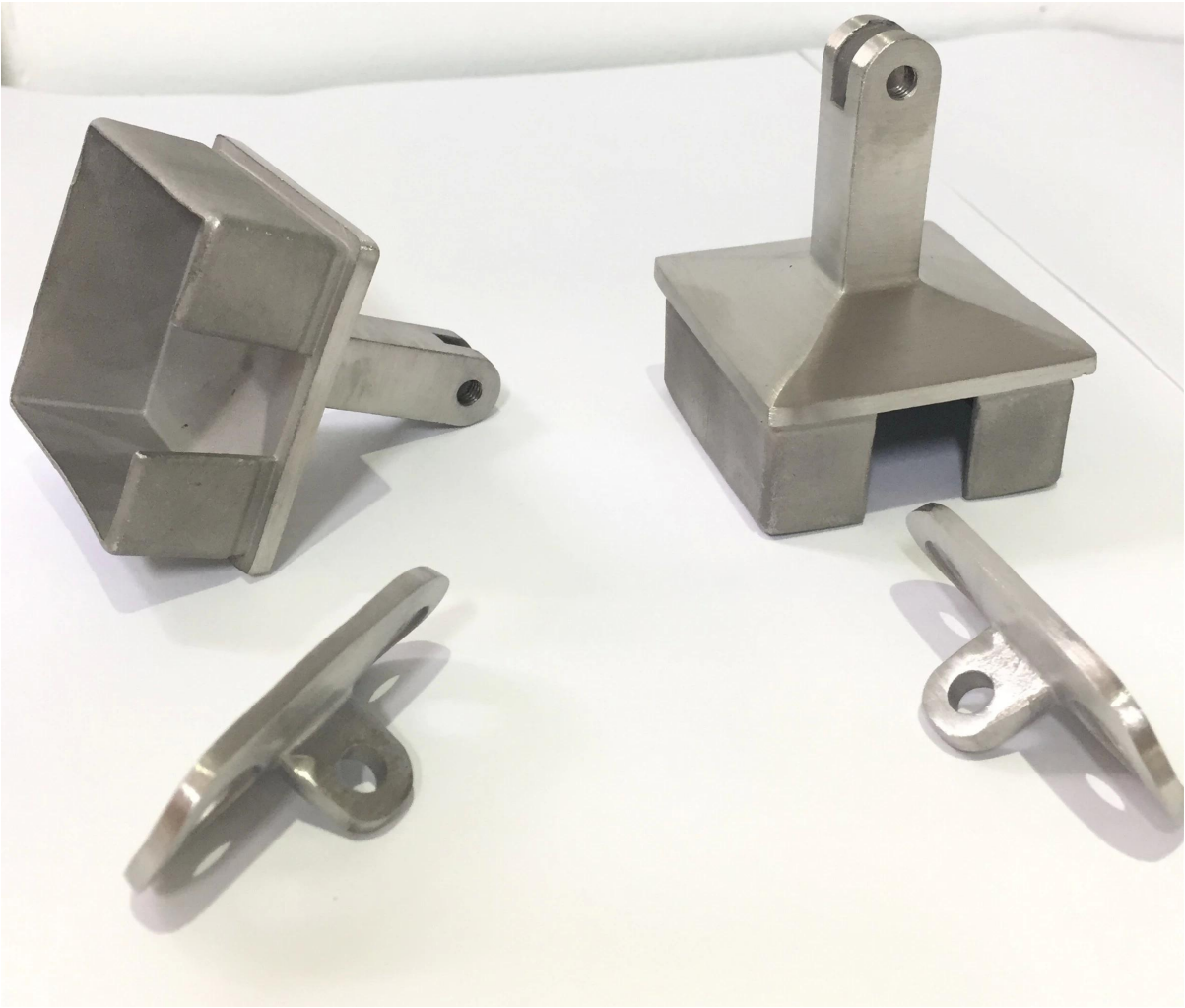
[square 50x50mm adjustable angle handrail support 50mm height \(model NCF-50X\)](#)

Specs.

1. Material 304/ 316 stainless steel
2. brushed
4. to support square or round top handrail tubes , mounted on stainless steel posts square 50x50x1.5 mm
5. Made by precision casting

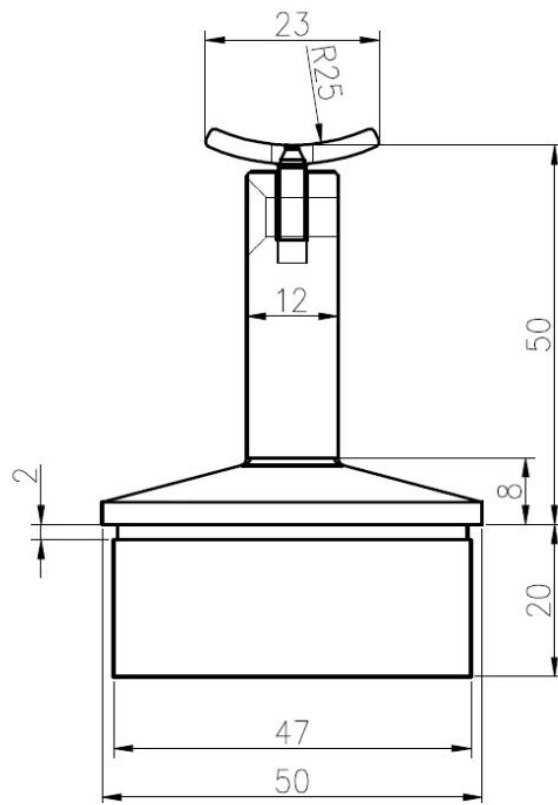
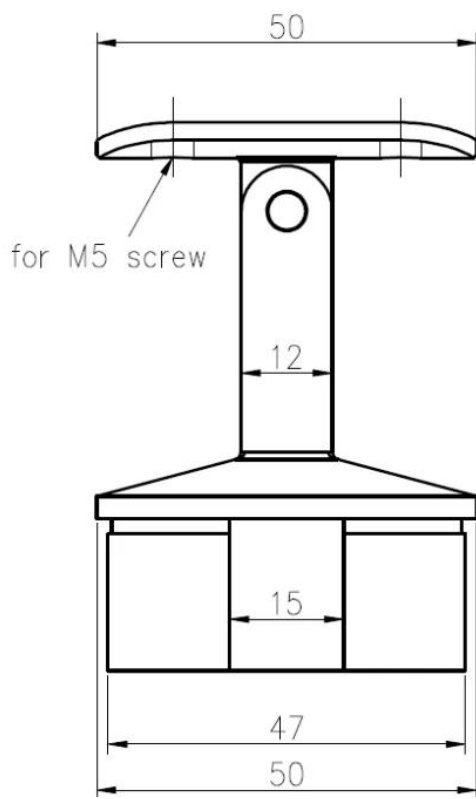
photos for square 50x50mm adjustable angle handrail support 50mm height (Model NCF-50X)

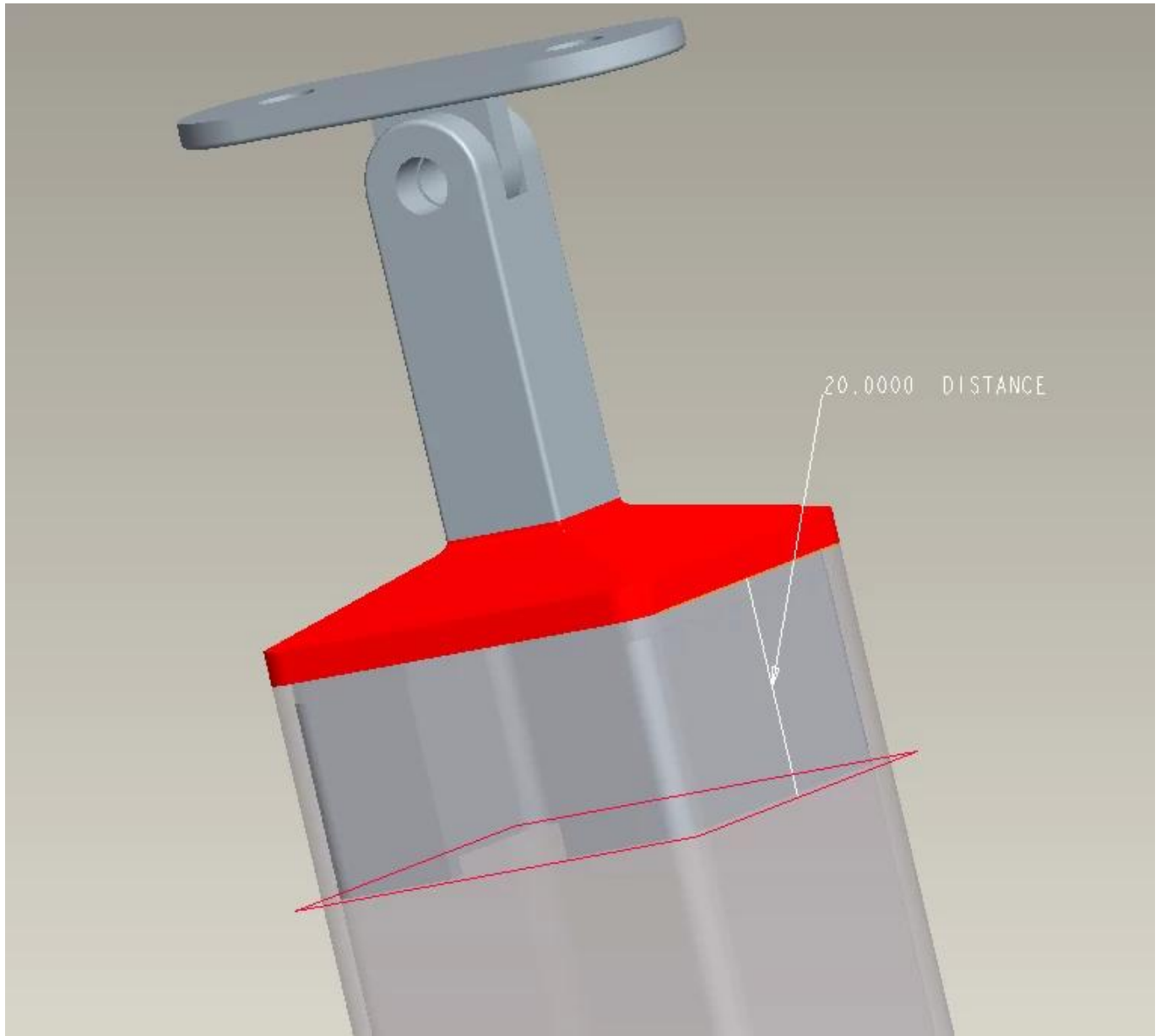


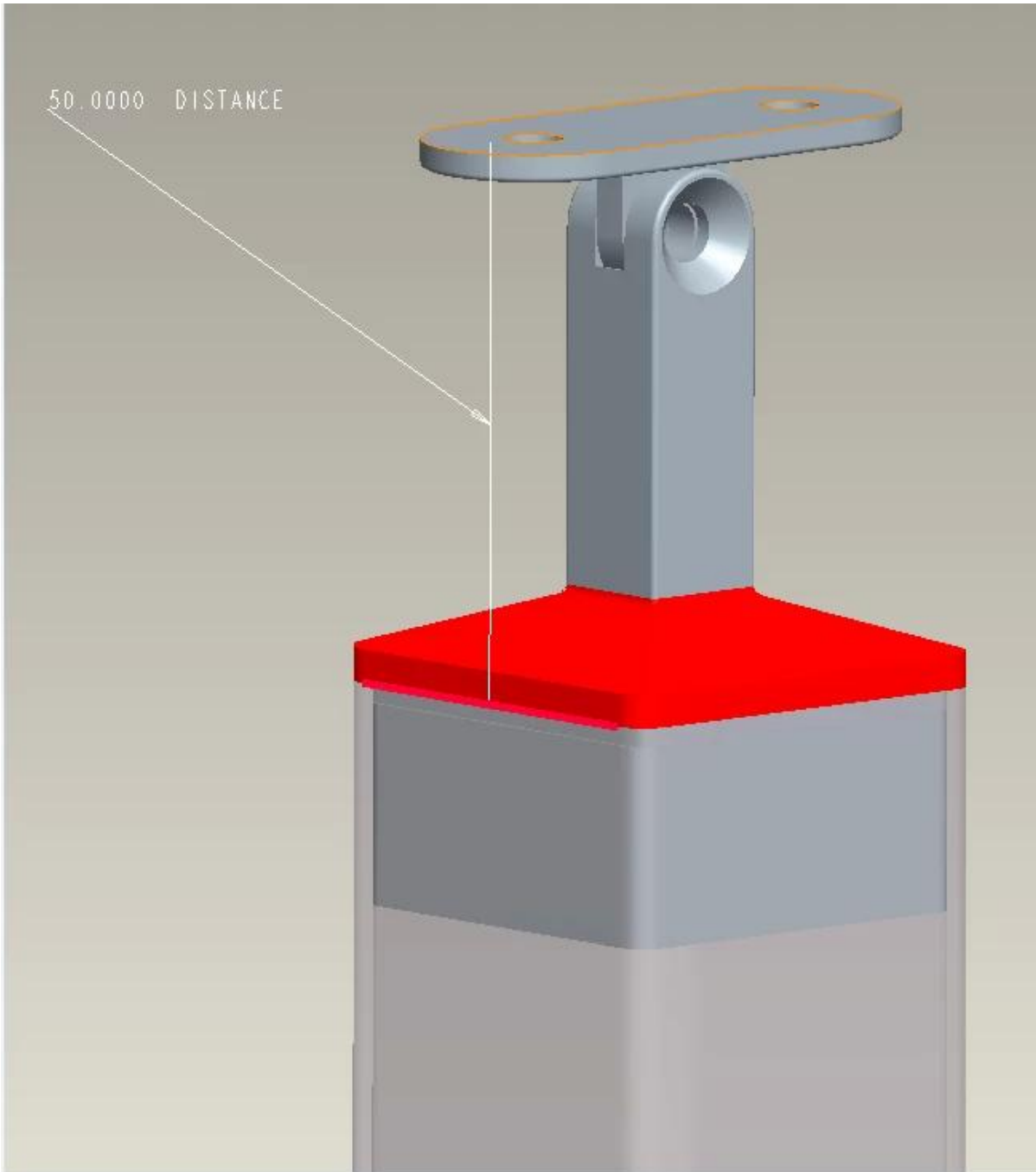




drawing for square 50x50mm adjustable angle handrail support 50mm height (Model NCF-50X)







If you are interested in above square 50x50mm adjustable angle handrail support 50mm height (Model NCF-50X) , feel free to send enquiry !