

Stainless Steel 316 Glass Standoff Glass Mounting Hardware

Specifications :

- Material: Stainless steel 316
- Finish: Brushed or Mirror polished
- For glass thickness: 6-19mm thickness
- Solid, high quality, rubber gasket included

1# Model: 2" Diameter by 1-1/2" (50mm x 38mm) Long Base Standoff

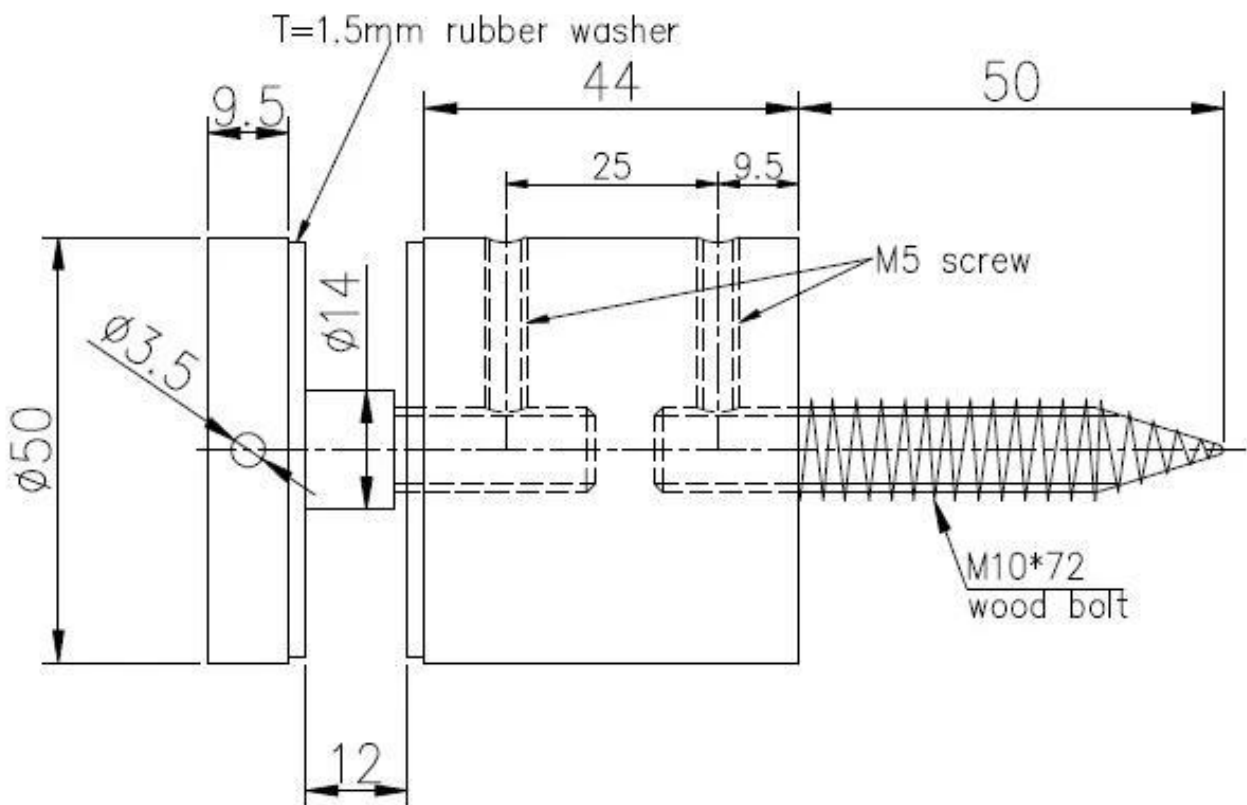






2# Model: Diameter 50mm x 44mm Long Base Standoff





Thanks for your visiting. Any interested or question, please reach me out freely:

Email: sales05@launch-china.cn
Whatsapp: 0086 13129593615