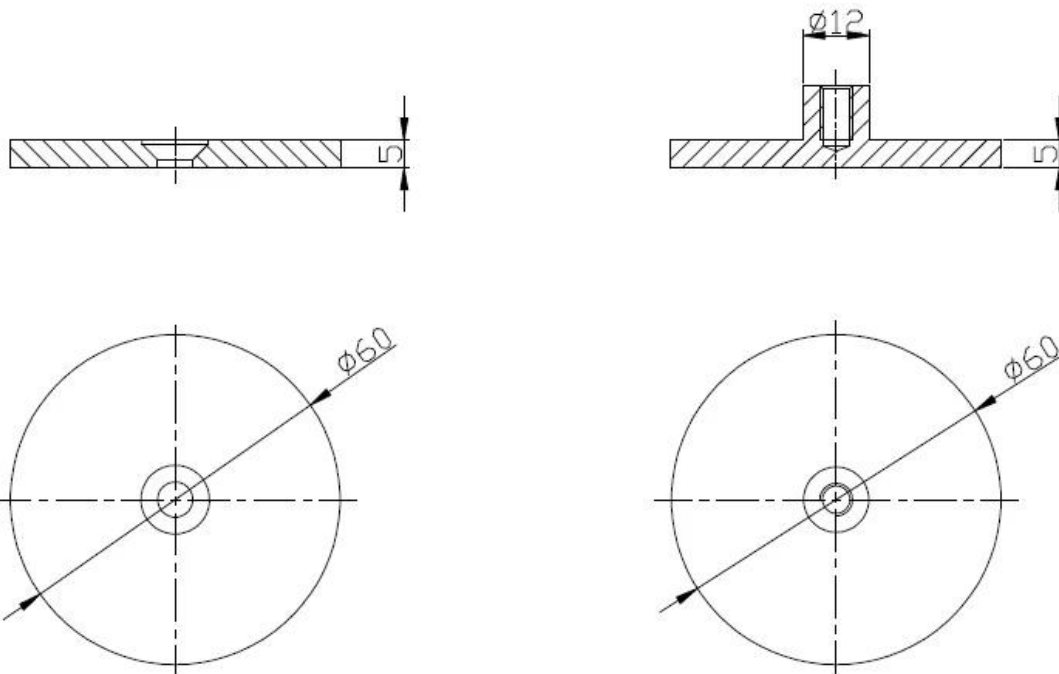


Model BC-50 glass clamp clip is used in the middle of two glass panels, makes the glass fencing or balustrade much stronger.

You can adjust the only screw in the middle when installation.

Please see below the dimension drawing:





BC-50

## BC-50

widely used glass panel clamp D clamp with flat back fixed on the wall

stainless steel glass balustrading clamps for round post or pipe

stainless steel glass railing clamps for square post or wall

stainless steel pipe clamp, balcony/terrace/staircase railing, both indoor and outdoor

stainless steel handrail fitting, D glass clamp, flat back and round back, high quality

glass handrail, glass balustrade, nonstandard glass clamp, high quality