

stainless steel wire cable tensioner for exterior indoor stair balcony deck railings

Stainless steel cable railing Features:

Components	Specifications	Material	Surface
handrail	Φ50.8 (42.4) x 1.5mm	SS304/SS316	satin/mirror
cable/wire rope	Φ3-8 mm	SS304/SS316	no finish
balustrade post	Φ50.8 (42.4) x 1.5mm	SS304/SS316	satin/mirror



1. stainless steel wire rope tensioner description:

Material: stainless steel 304 or 316

For cable diameter: 3/4/5/6mm

Position: balcony, deck, staircase etc

Model No.: T803, T804, T807A, T809

2. Different model stainless steel wire rope tensioner list,

1). T803 cable tensioner

For diameter 3-5mm cable.

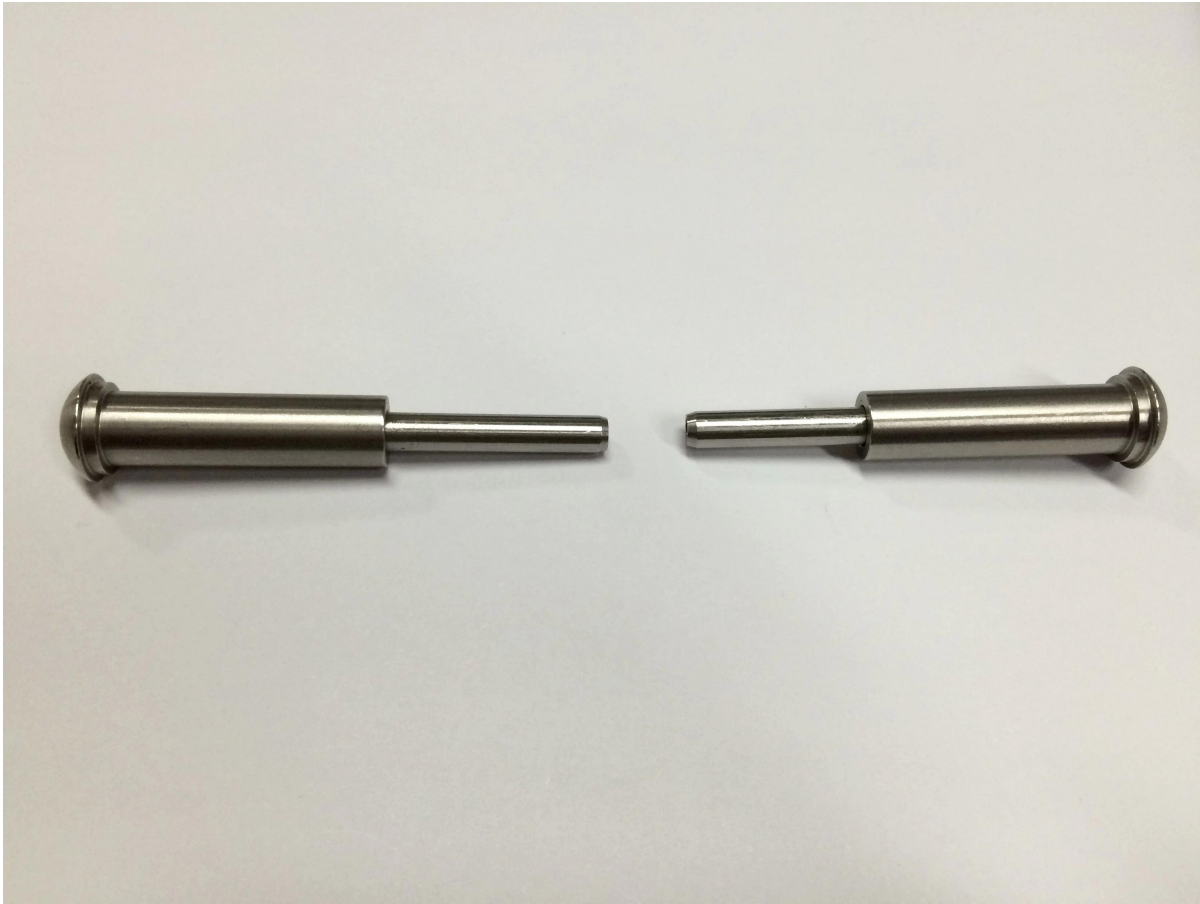


T803

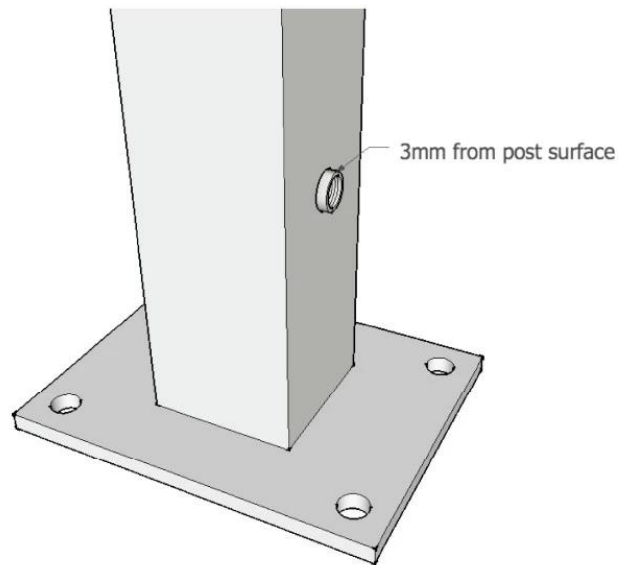
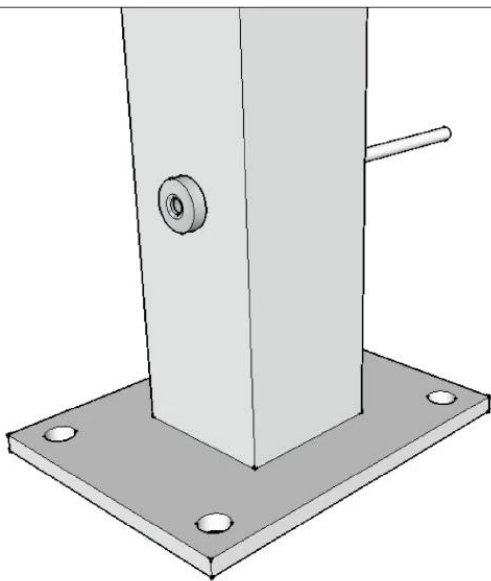
2). T804 cable tensioner
For diameter 4-6mm cable.



3.) T807A cable tensioner
For diameter 3-4mm cable.



T807A cable tensioner installation FYI,



4). T809 cable tensioner
For diameter 4-6mm cable.



3. stainless steel cable railing project,





Thank you for your visit, any interested or needs, please contact me freely:

Joey Lan

Shenzhen Launch Co., Ltd

www.launch-china.com www.launch-china.en.alibaba.com www.chinabalustrade.com

Email: sales02@launch-china.cn .

Skype: launch-02 . Office: 86-755-86037559 .