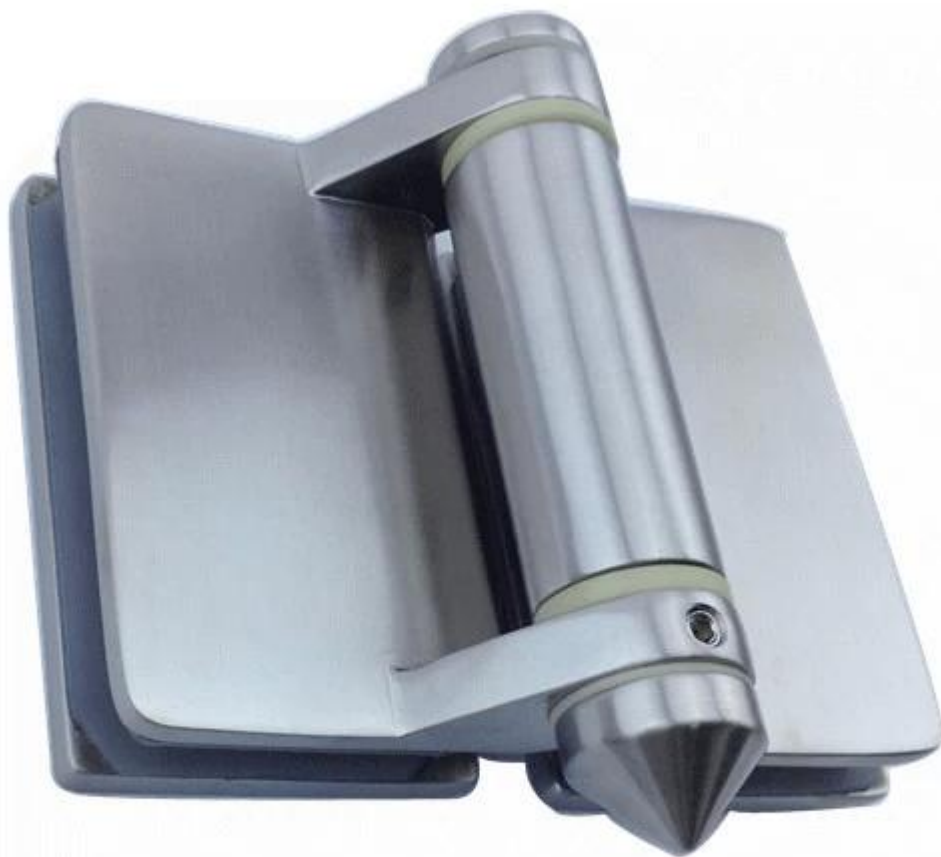


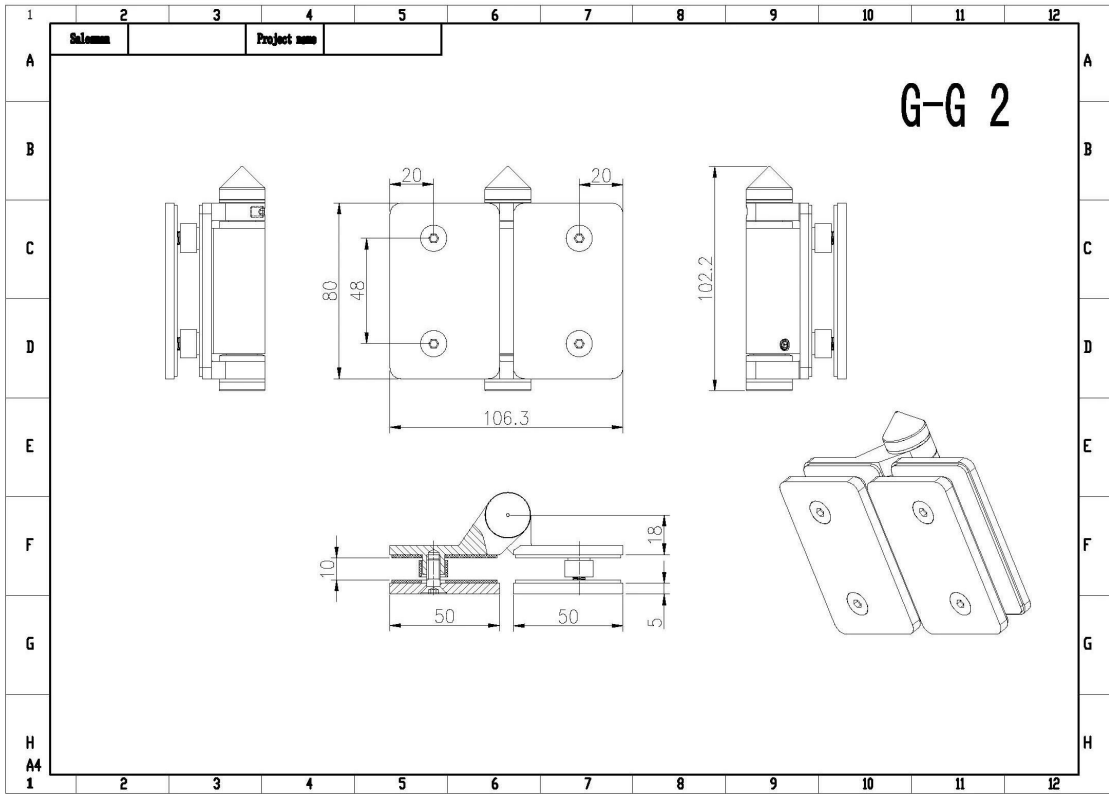
swimming pool fence glass gate hinge spring loaded type for 8-12mm glass gate

Shenzhen Launch has three models of [swimming pool fence glass gate hinges](#) as below .

[Glass to glass hinge](#) photo and drawing



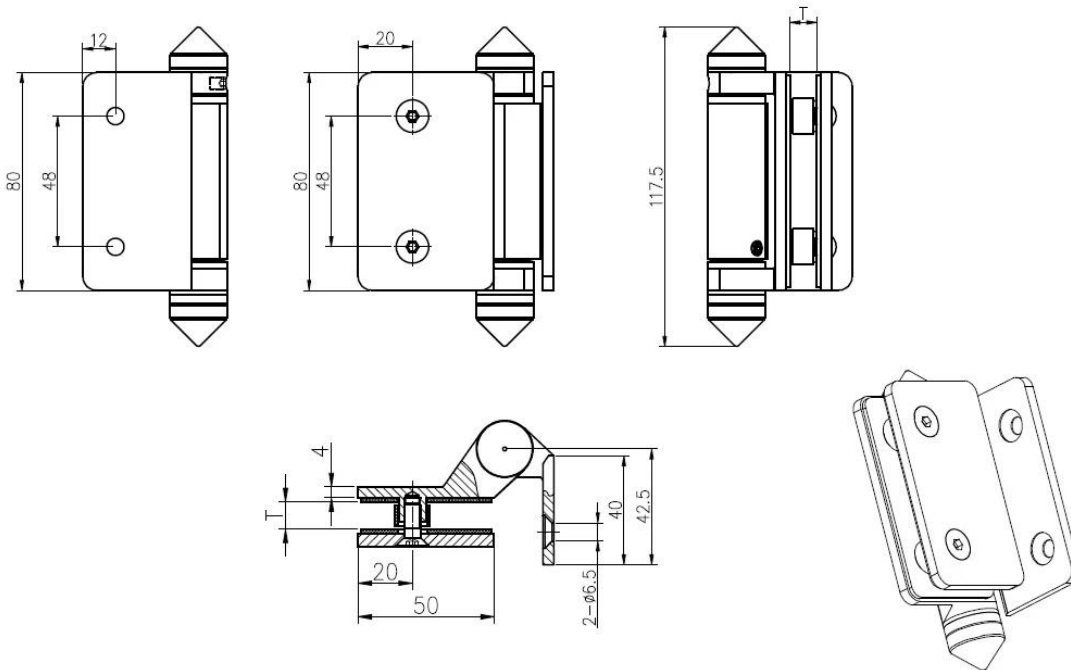
**G-G2**



Glass to wall hinge photo and drawing



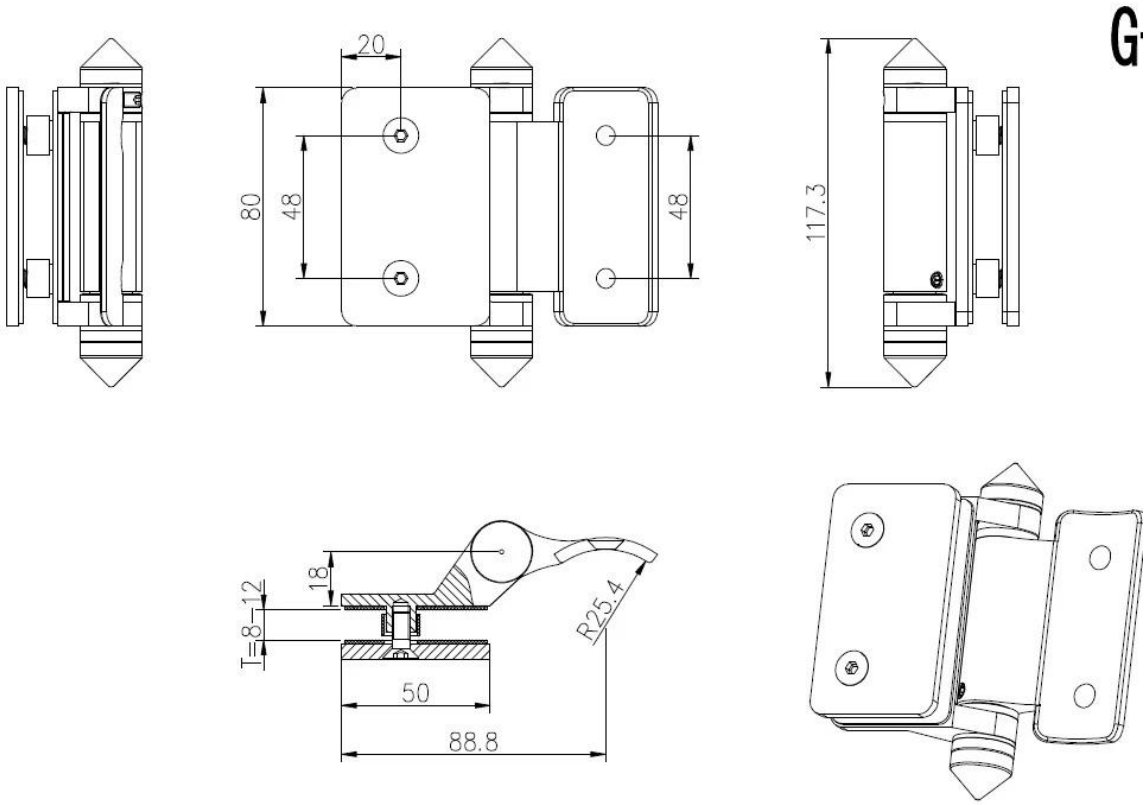
# G-W 2



Glass to round post photo and drawing



**G-R2**



G

Packing photo for swimming pool fence glass gate hinge





swimming pool fence glass gate hinge installed on pool fence gate

