

Balaustrada de aço inoxidável do sistema de vidro da balaustrada do botão

Especificações:

produtos nome	Balaustrada de botão de vidro, trilhos de vidro de standoff, impasse de trilhos de vidro, parafusos de compensação de vidro
Material	Aço inoxidável 316/304
Tratamento da superfície	Cetim escovado ou espelho polido
Dimensão	Tampa de 50 * 12mm, corpo de 50 * 30mm
Junta de borracha de silicone	Incluído
Para espessura de vidro	10-19 mm
Mouting para	Substrato de madeira ou concreto

Locais de aplicação: trilhos de vidro ao ar livre e sistema de trilhos de vidro interior

Áreas de aplicação:

guarda-corpo de vidro da varanda

projeto trilhos de vidro da escada

design de trilhos de vidro terraço etc.

Diâmetro 50mm Standoff de vidro / botão em **Acabamento acetinado:**



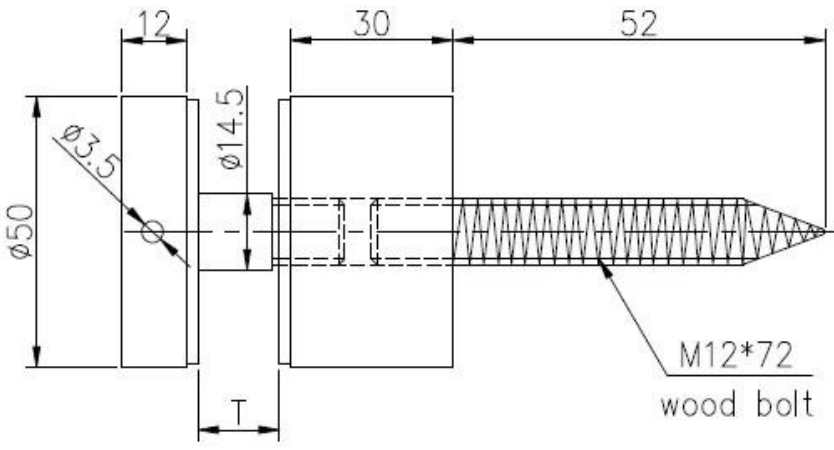
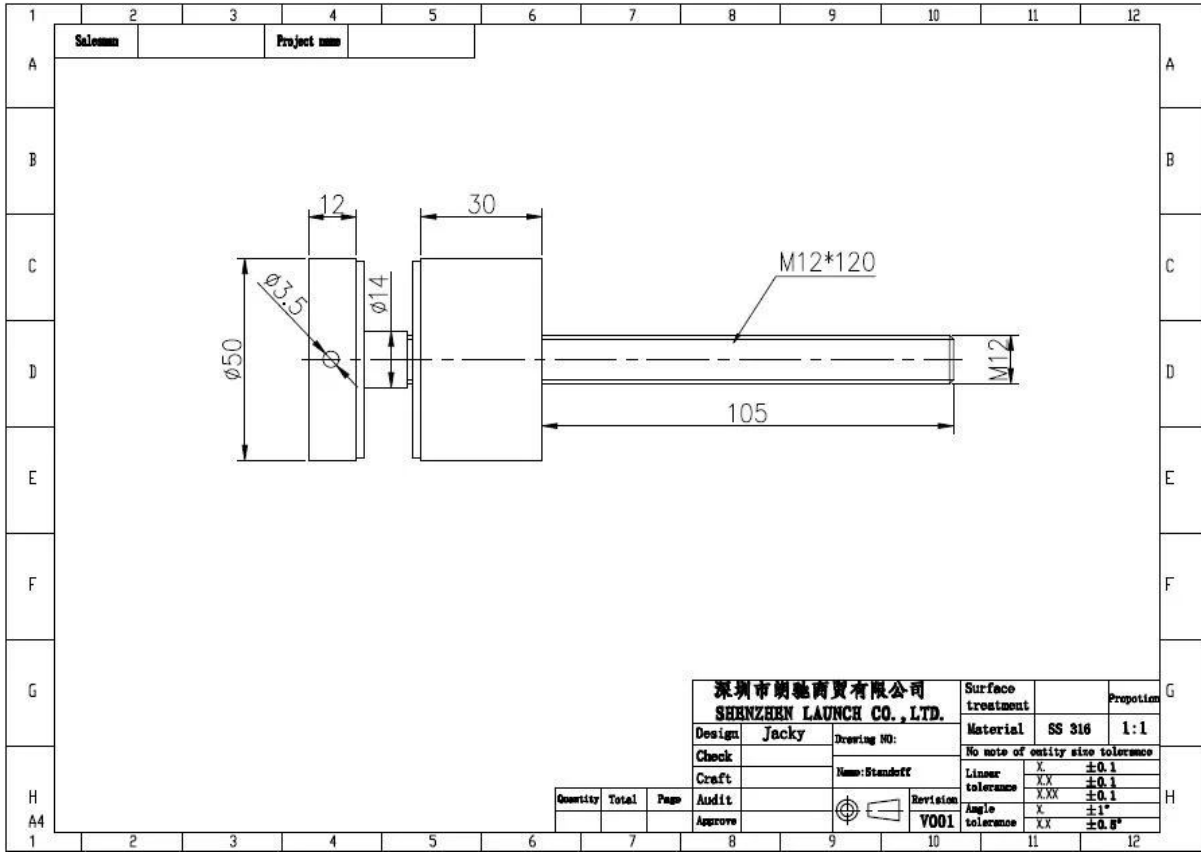
Diâmetro 50mm Standoff de vidro / botão em **Acabamento Espelhado**:

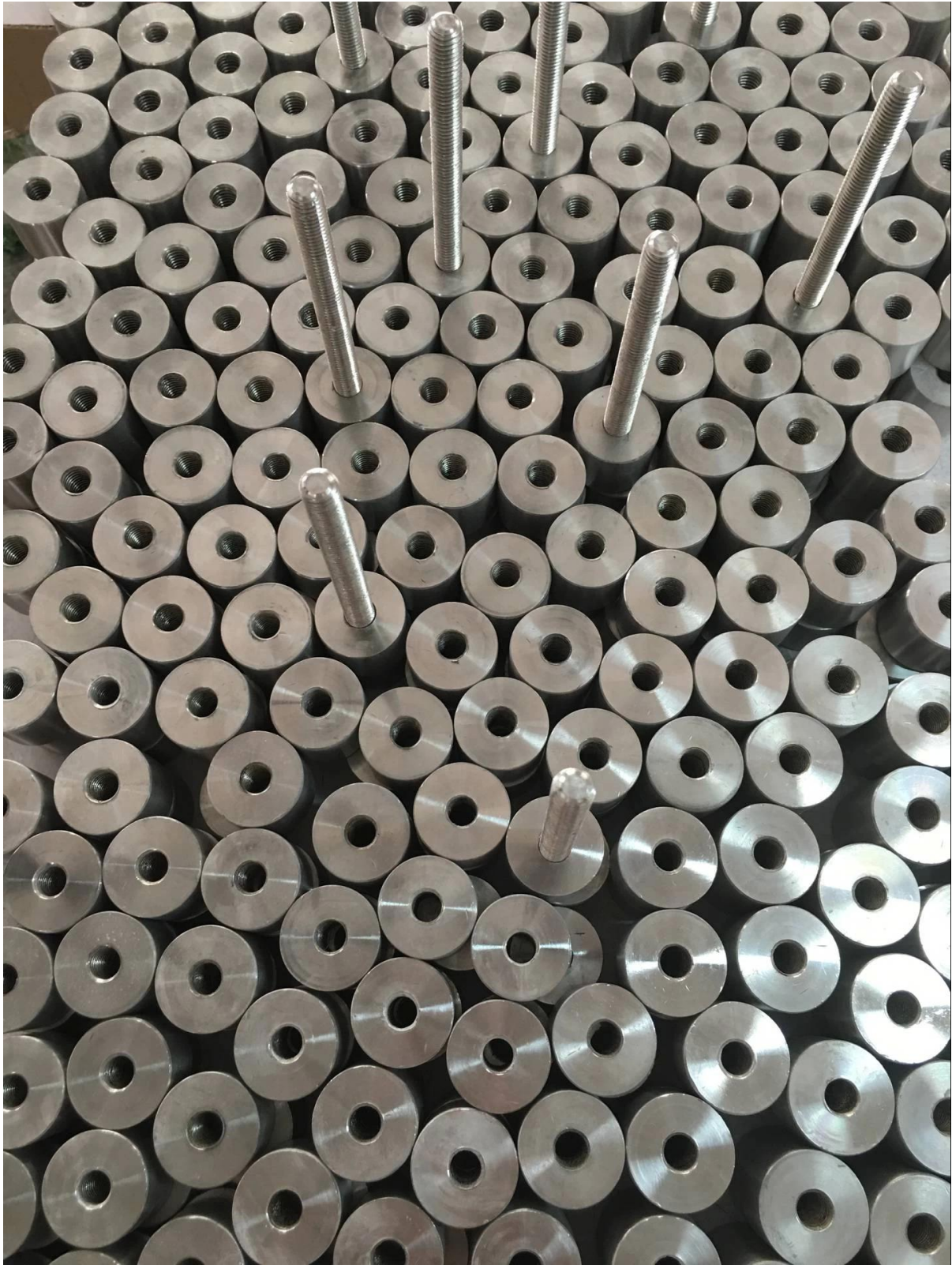


Com parafuso de madeira para montagem em substrato de madeira:



Desenho técnico:







Fotos do Projeto:

Balaustrada de aço inoxidável do sistema de vidro da balaustrada do botão

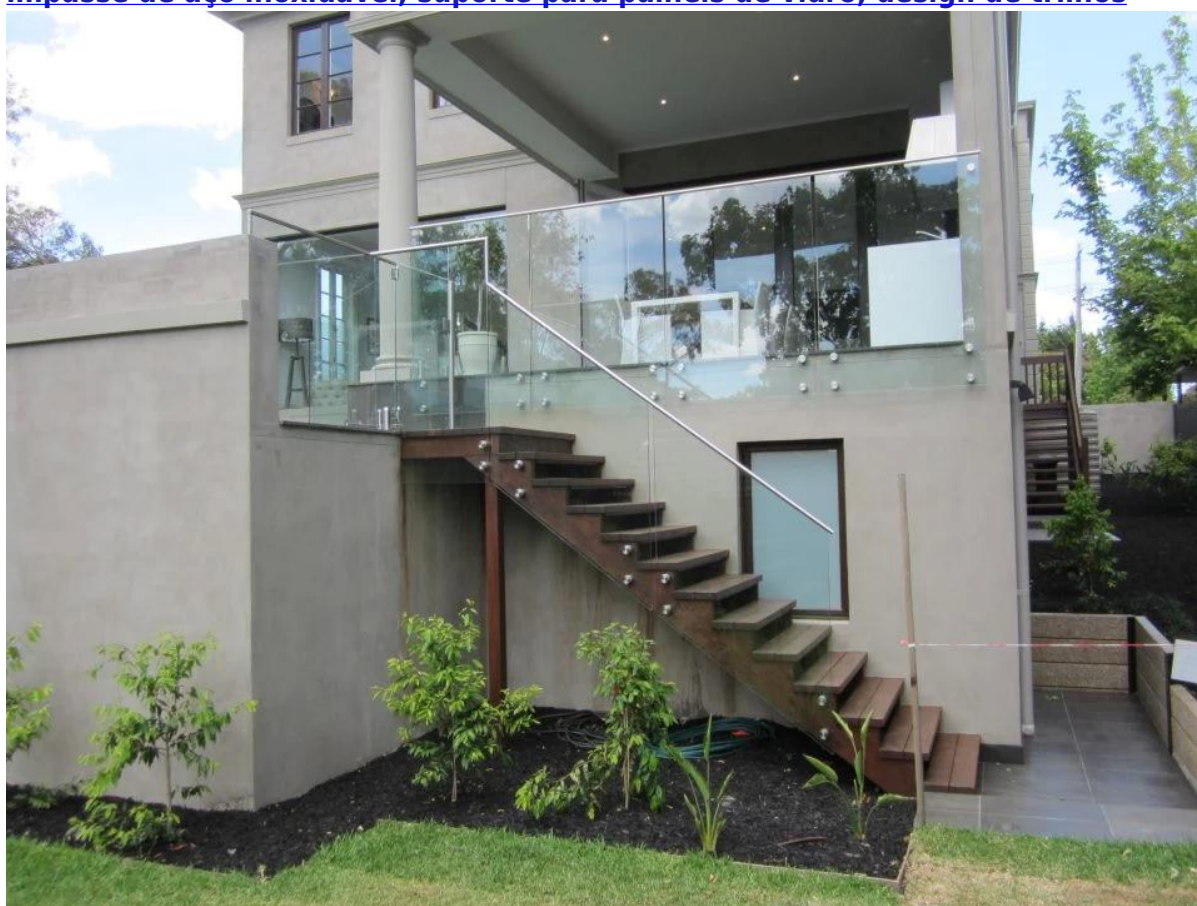




Impasse de vidro de aço inoxidável para balastrada de vidro sem moldura



impasse de aço inoxidável, suporte para painéis de vidro, design de trilhos



Informação da companhia:

Shenzhen Launch Co., Ltd was established in 2004, located at Nanshan District, Shenzhen, and one hour by car from Hongkong International Airport. Our main product is high-grade building materials includes stainless steel balustrade post, staircase handrail, balcony guardrail, swimming pool fence and other high-grade building materials. All the products are designed strictly according to the high-end market requirements. We have our own factory in Tangxia Town, Dongguan, has a variety of precision equipment more than 50 sets: CNC lathe, milling machine, punching machine, pipe cutter, argon welder, drilling machine, polisher, etc. which can provide customers with complete product processing services. With the German SPECTRO Spectrometer, we insist on testing every batch of materials to ensure that the material is highly qualified. We also have hardness gauge, secondary element and other test equipment to ensure the products meets customers' requirements.

ABOUT US



OUR ADVANTAGE

Please do not hesitate to contact us if you have any requirement regarding our production lines, you can expect a timely reply with professional solutions!



Own factory, shortest lead time.



Can help customers design product drawings based on customer ideas and design engineering installation drawing according to the customer site sketch.



Sample order, trial order acceptable.



Provide material test report to ensure that the material is qualified.



13 years of industry experience, we can help customers recommend the best solution to help customers save cost.

OUR FACTORY

More than 13 years experience in hardware industry design and processing, we can provide customized services from design to the sample and small batch trial production.



OUR CERTIFICATE

With premium quality, competitive price and superior service, we won a lot of customers' favor.
Our products are popular in North America, European and Australia.



PRODUCTION PROCESS



Casting



CNC lathe



CNC Milling



Stamping



Drilling & Tapping

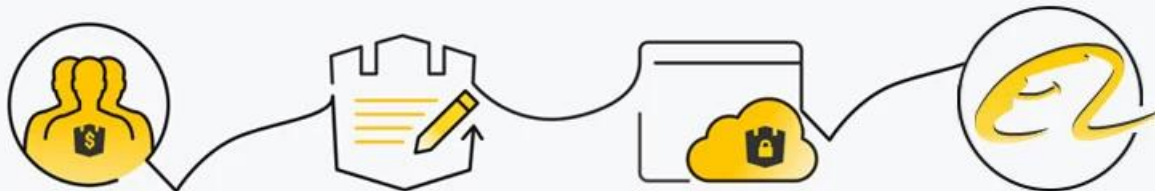


Polishing



PAYMENT & TRANSPORTATION

Welcome Alibaba Trade Assurance Order!



1 Start an order

2 Negotiate terms with our sales service & confirm order

3 Make payment

4 Alibaba provide full assurance



Contacte-nos agora para mais informações!

Email: sales03@launch-china.cn

Mob: +8615907334556