

O projeto novo fácil instala o torneira de aço inoxidável da cerca da associação para os trilhos de vidro SBM-3

Torneira de vidro, torneira de cerca de piscina de vidro, corrimão de vidro de espigão, torneira de vidro

Característica principal: mais fácil para instalação & ajuste de nivelamento

1. Grau: SUS316, SUS316L, DUPLEX2205
2. Espessura do vidro: 10 mm - 13,52 mm
3. Acabamento: cetim escovado ou espelho polido
- 4 Montado: Pavimentos
5. Aplicação: Esgrima sem moldura & Balaustrada

Produtos Show:





Polido em cor de ouro:



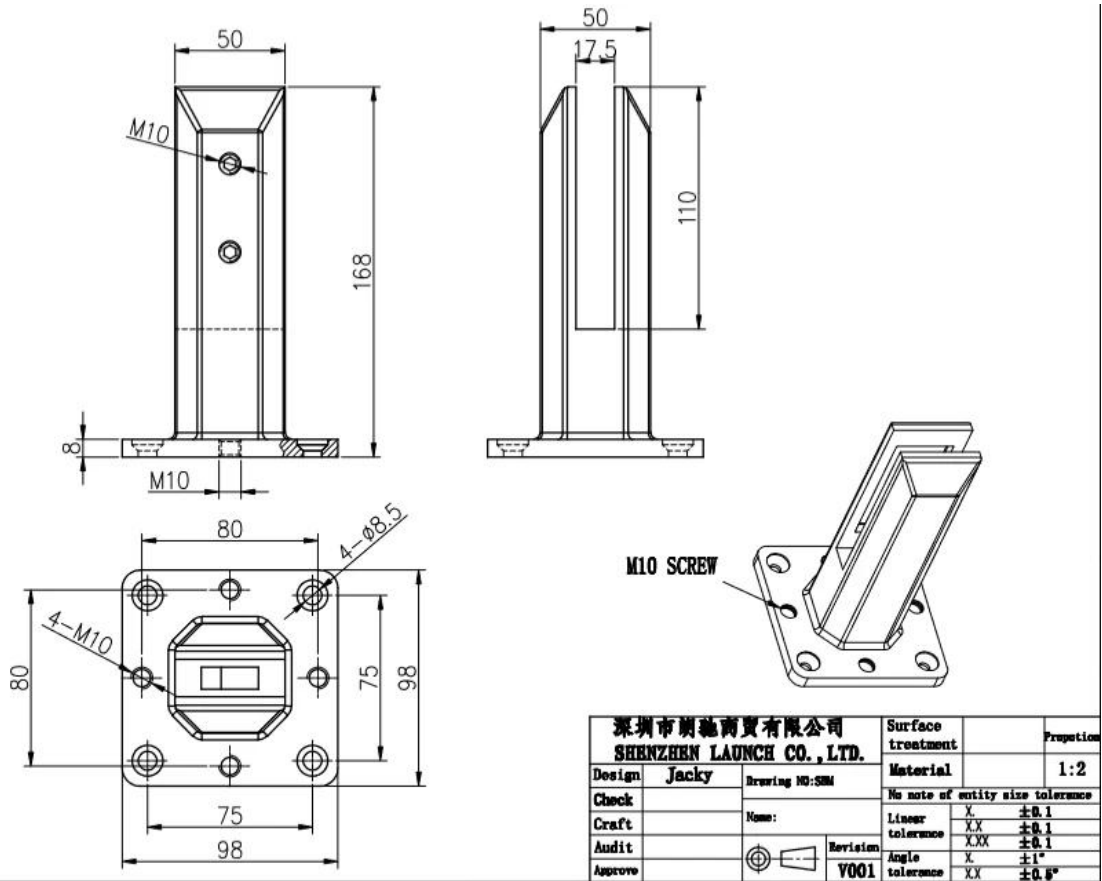
Escovado com cetim:



Espelho polido:



Desenhando:



Fotos do projeto:



SBM no acabamento acetinado:





Lançamento de Shenzhen co., Ltd é uma manufatura profissional com design, produção e vendas de hardware de aço inoxidável, acessórios de trilhos de vidro, acessórios de corrimãos e outros produtos.

PORQUE ESCOLHER-NOS

Preço do competidor: China continental fabricação

Boa qualidade: 14 anos de experiência técnica

Excelente serviço: 14 anos de experiência em exportação em todo o mundo

Projetos diferentes estão disponíveis de acordo com pedidos do cliente

Shenzhen Launch Co., Ltd was established in 2004, located at Nanshan District, Shenzhen, and one hour by car from Hongkong International Airport. Our main product is high-grade building materials includes stainless steel balustrade post, staircase handrail, balcony guardrail, swimming pool fence and other high-grade building materials. All the products are designed strictly according to the high-end market requirements. We have our own factory in Tangxia Town, Dongguan, has a variety of precision equipment more than 50 sets: CNC lathe, milling machine, punching machine, pipe cutter, argon welder, drilling machine, polisher, etc. which can provide customers with complete product processing services. With the German SPECTRO Spectrometer, we insist on testing every batch of materials to ensure that the material is highly qualified. We also have hardness gauge, secondary element and other test equipment to ensure the products meets customers' requirements.

ABOUT US

Our Team



OUR ADVANTAGE

Please do not hesitate to contact us if you have any requirement regarding our production lines, you can expect a timely reply with professional solutions!



Own factory, shortest lead time.



Can help customers design product drawings based on customer ideas and design engineering installation drawing according to the customer site sketch.



Sample order, trial order acceptable.



Provide material test report to ensure that the material is qualified.



13 years of industry experience, we can help customers recommend the best solution to help customers save cost.

OUR FACTORY

More than 13 years experience in hardware industry design and processing, we can provide customized services from design to the sample and small batch trial production.



OUR CERTIFICATE

With premium quality, competitive price and superior service, we won a lot of customers' favor.
Our products are popular in North America, European and Australia.



PRODUCTION PROCESS



Casting



CNC lathe



CNC Milling



Stamping



Drilling & Tapping

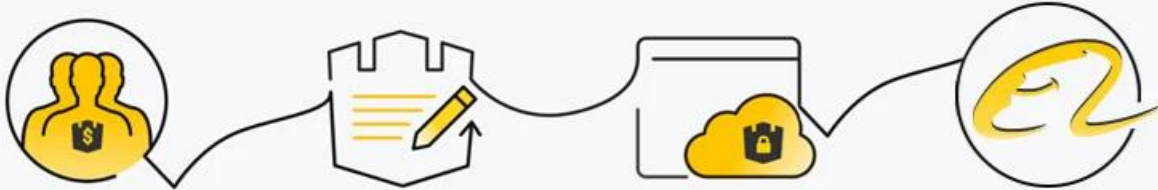


Polishing



PAYMENT & TRANSPORTATION

Welcome Alibaba Trade Assurance Order!



1 Start an order

2 Negotiate terms with our sales service & confirm order

3 Make payment

4 Alibaba provide full assurance



Embalagem & Entrega

Detalhes de empacotamento :

1. Cada espigão é envolvido com filme plástico e air bag, e depois colocado em uma caixa.
2. 100 espigões são embalados em uma caixa de madeira compensada.
3. Também pode ser embalado como requisitos dos clientes.

Detalhes da entrega: 10-15 dias úteis após o pagamento.

Contacte-nos agora para mais informações!

Email: sales03@launch-china.cn

Celular: +8615907334556

KEBIL 科比奥® SHENZHEN LAUNCH CO.LTD
LAUNCH INTERNATIONAL LIMITED

Eve Chow

Sales representative

M : +86 159 0733 4556

T : +86 755 8603 7559

E : sales03@launch-china.cn

A : B5-5003, Yilida Bldg, Nanshan District, Shenzhen