



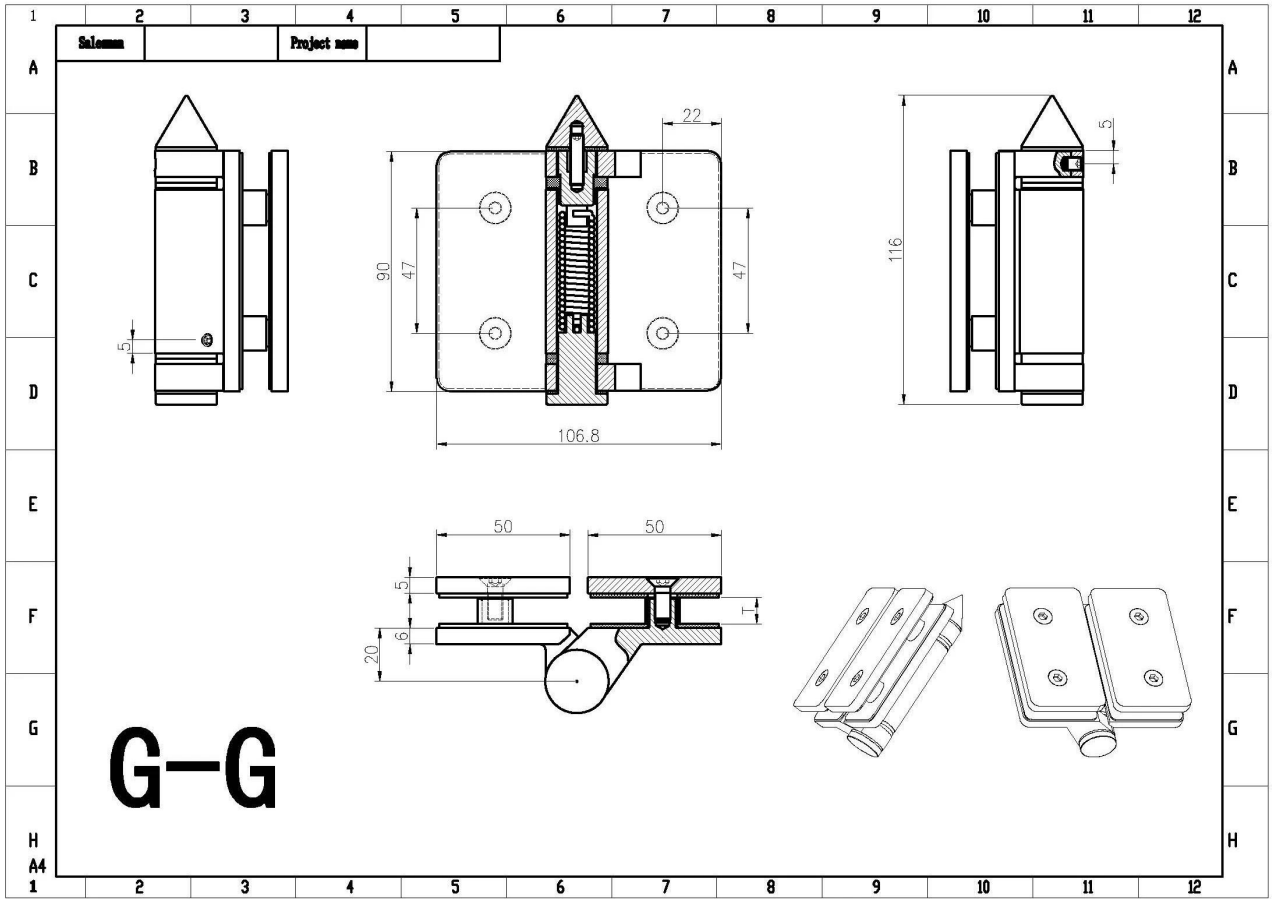




SHENZHEN LAUNCH CO., LTD



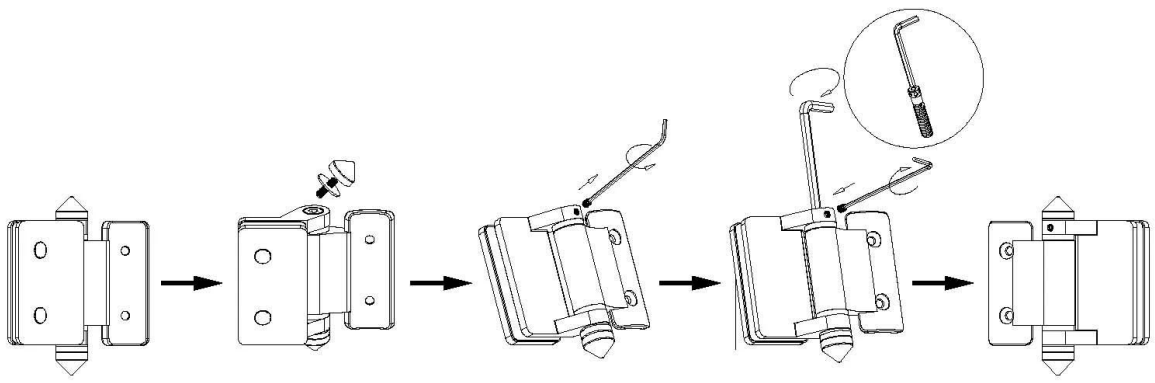
316 316 316 316 316



□□□□□□ □□□□□□ □□□□ □□□□ □□□□ □□□□ □□□□□□ □□□□□□ □□□□□□ □□□□□□ 316 □ □□□□□□□ □□□□□□□□



Instructions for adjusting tension on Glass to Round post hinge

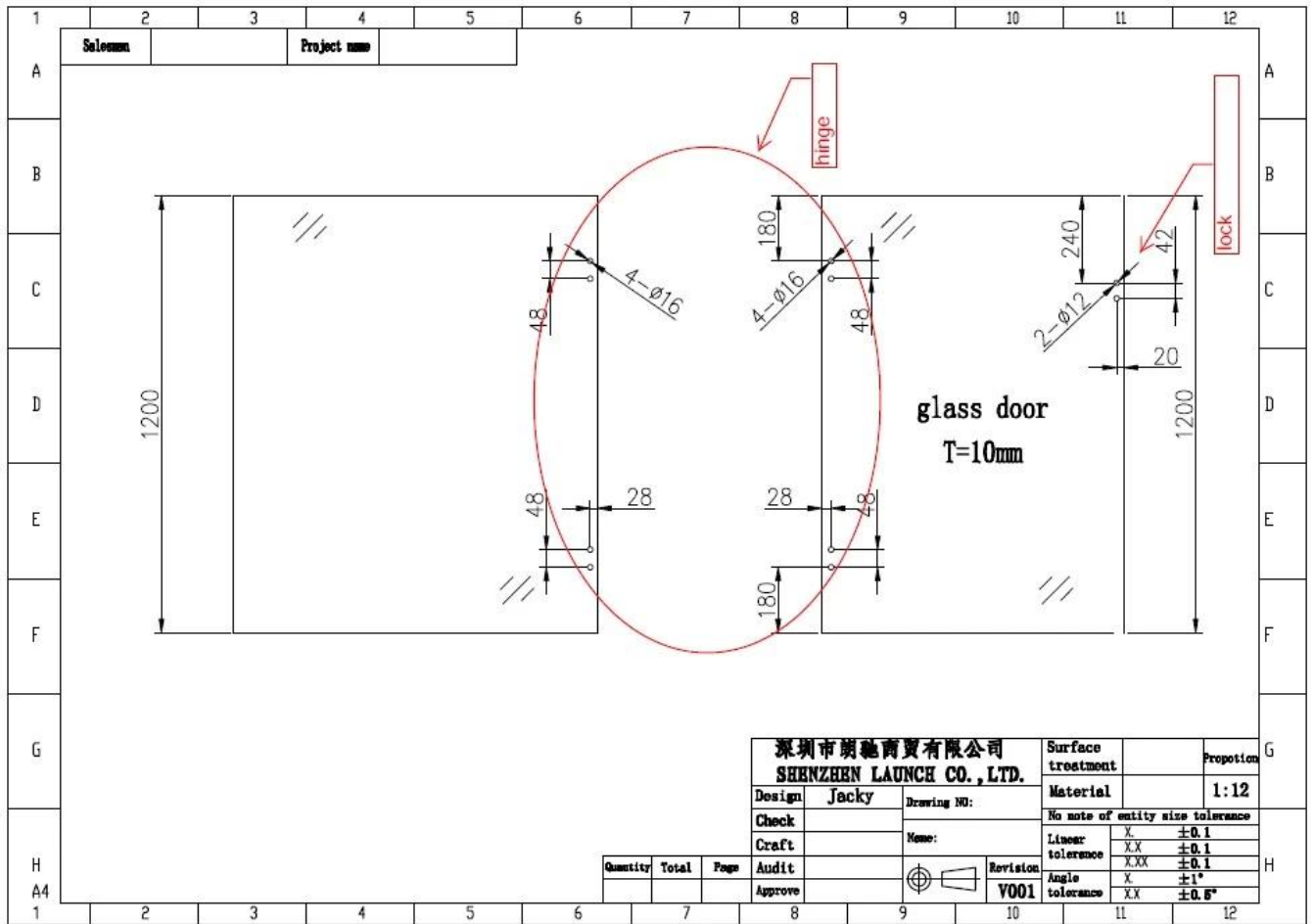


STEP 1
Remove cone and grub screw by turning anticlockwise to reveal tension pin.

STEP 2
Remove grub screw from side of hinge with Allen Key supplied.

STEP 3
Turn the tension pin clockwise to the next hole in tension pin, then tighten the grub screw, repeat this process a Maximum of three times or 360°, Do not over tension.

□□□□□□ □□□□□□ □□□□□□ □□□ □□□



深圳市朗馳商貿有限公司 SHENZHEN LAUNCH CO., LTD.			Surface treatment	Proportion
Design	Jacky	Drawing NO:	Material	1:12
Check		Name:	No note of entity size tolerance	
Craft			Linear tolerance	X ±0.1
			tolerance	XX ±0.1
			Angle tolerance	X ±1°
			tolerance	XX ±0.5°

Quantity	Total	Page

□□□□□□ □□□□□□ □□ □□□□ □□□□□□ -
 □□□□□□ □□□□□□ □□□ □□□□□□



□□□□□□ □□□□ □□ □□□□□□



□□□□□□ □□□□□□ □□ □□ □□□□



□□□□□□ □□□□ □□□□ □□□□ □□

