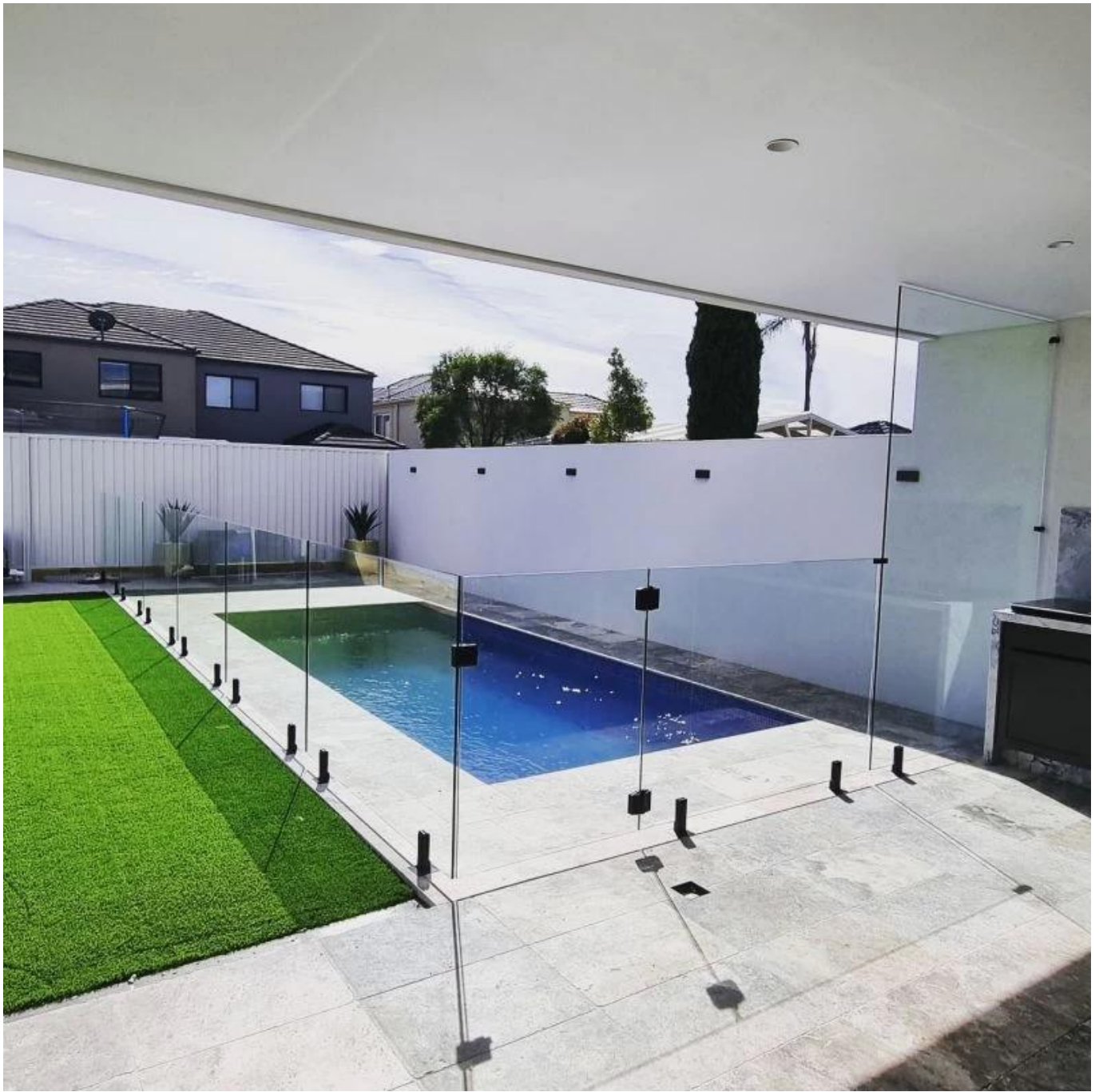


2205



2205

2205



000000 000000 00000000 00000 00000000 00000000 00000

000000 000000000

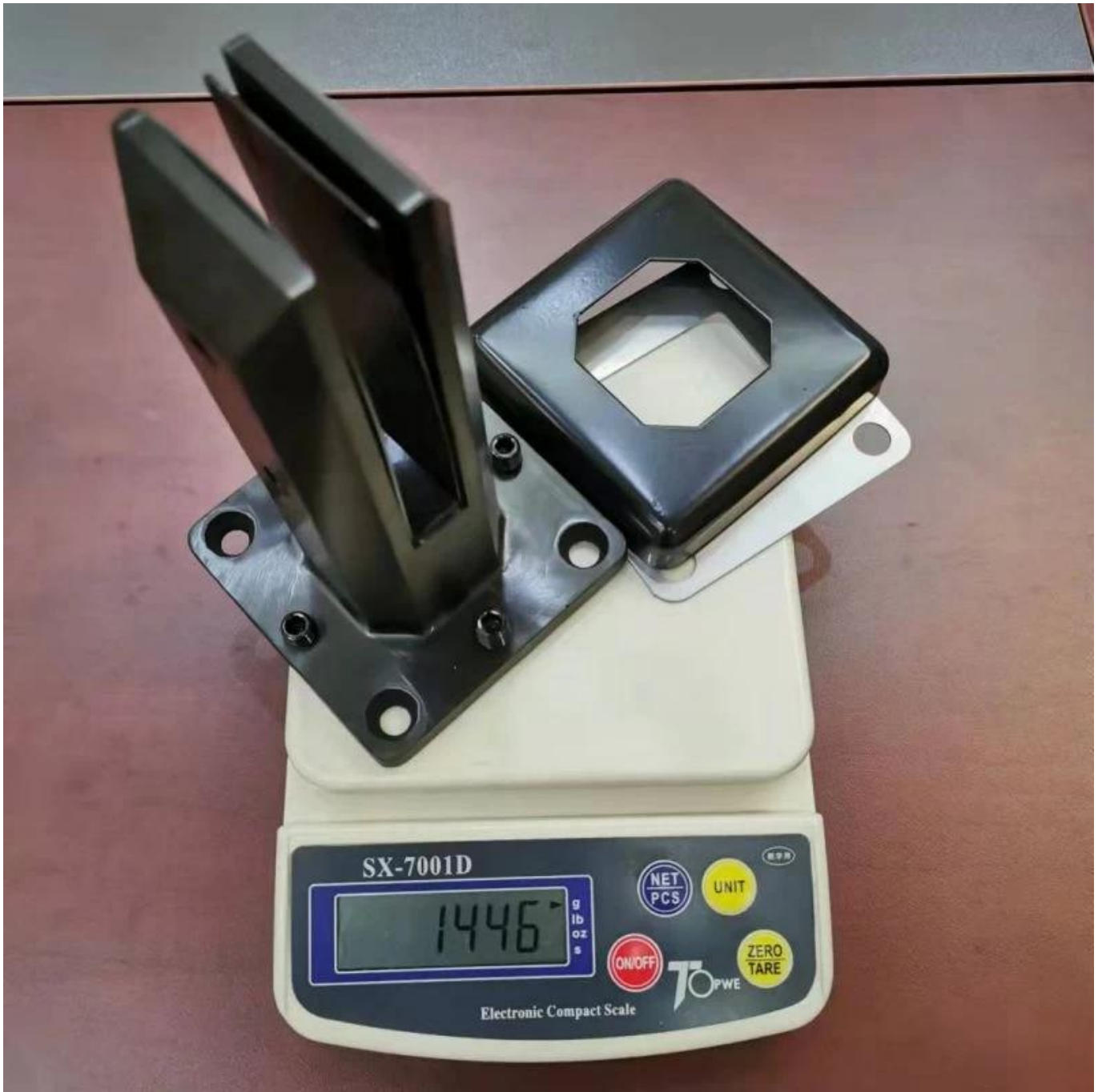


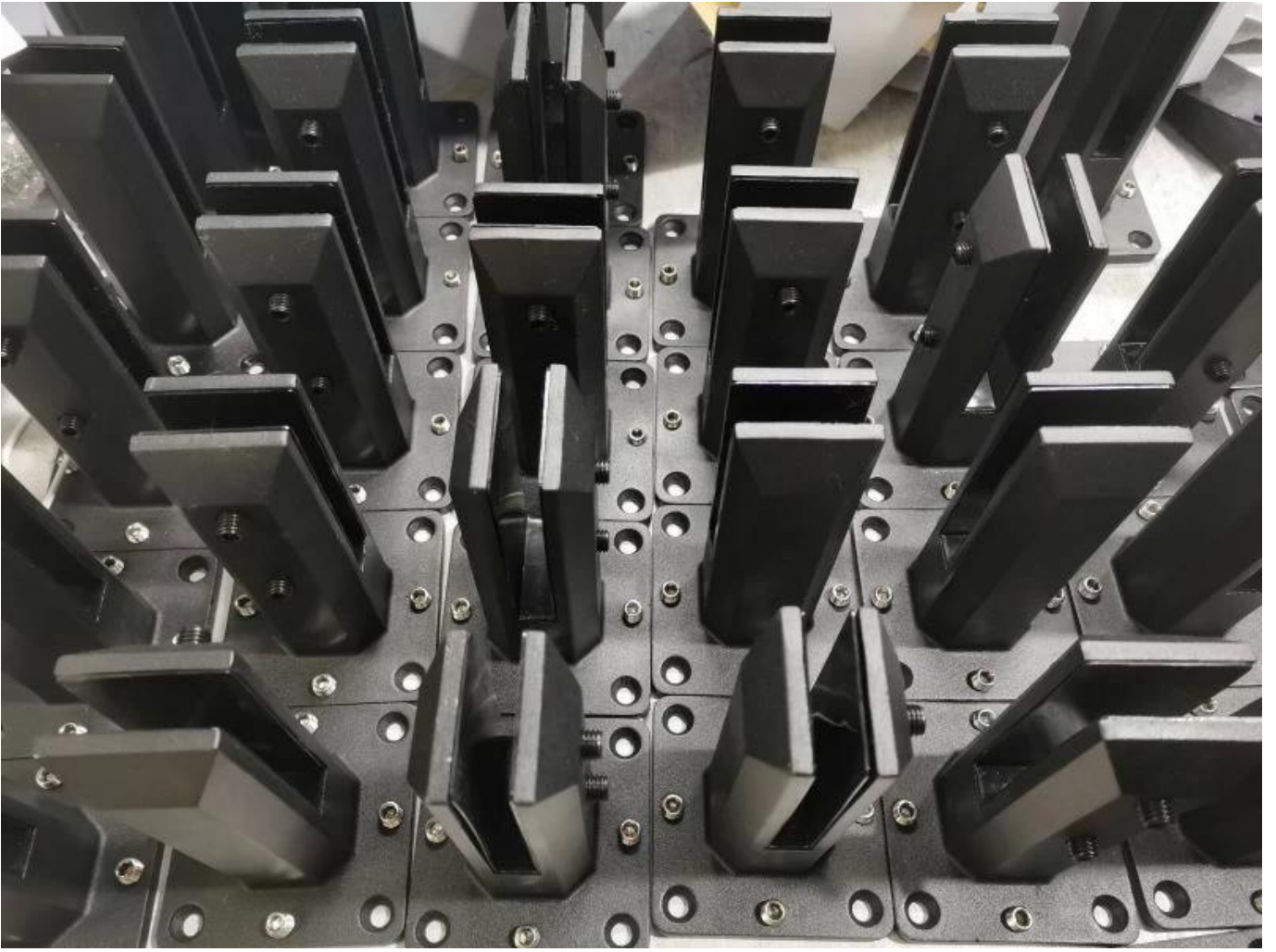




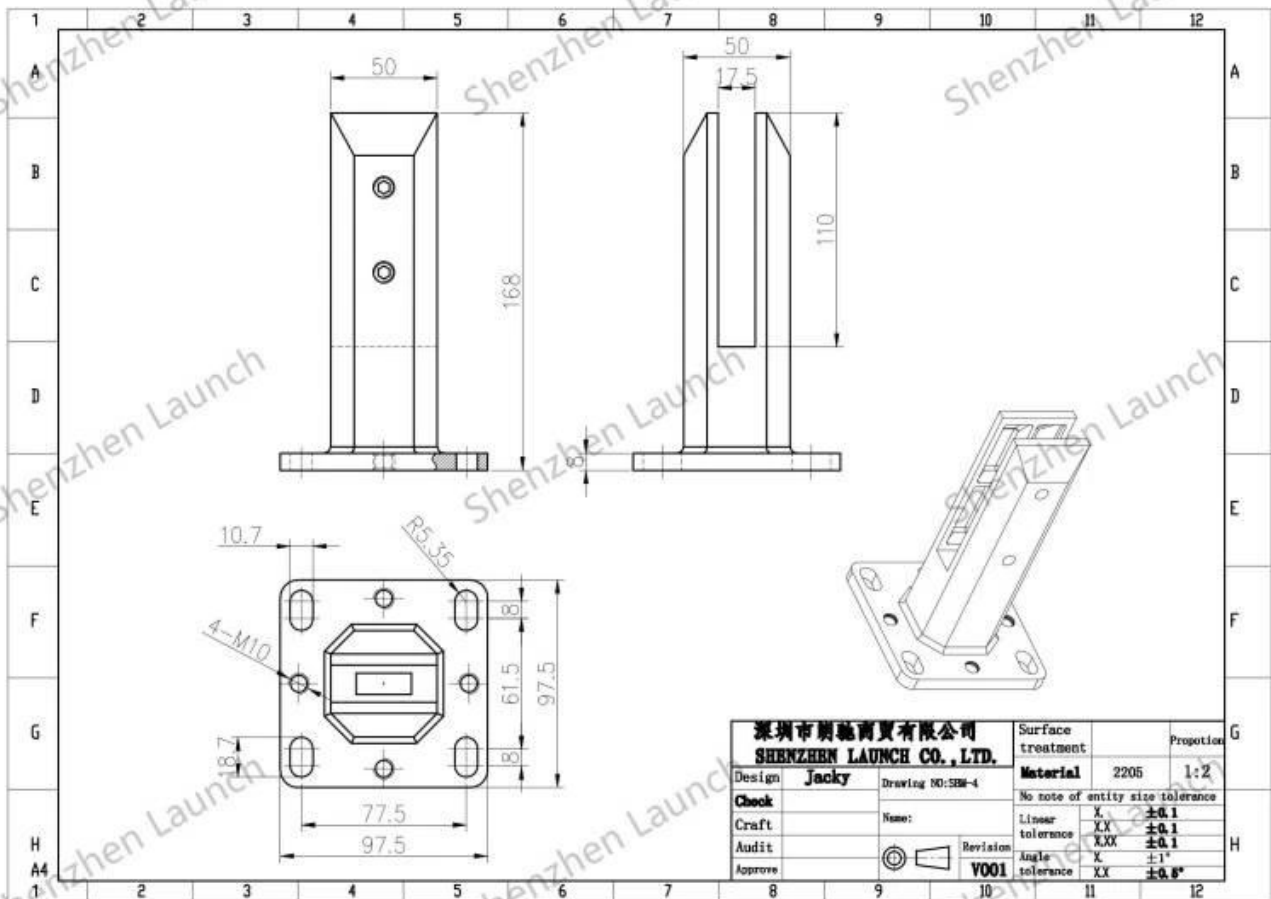
□□□□□ □□□□□ □□□



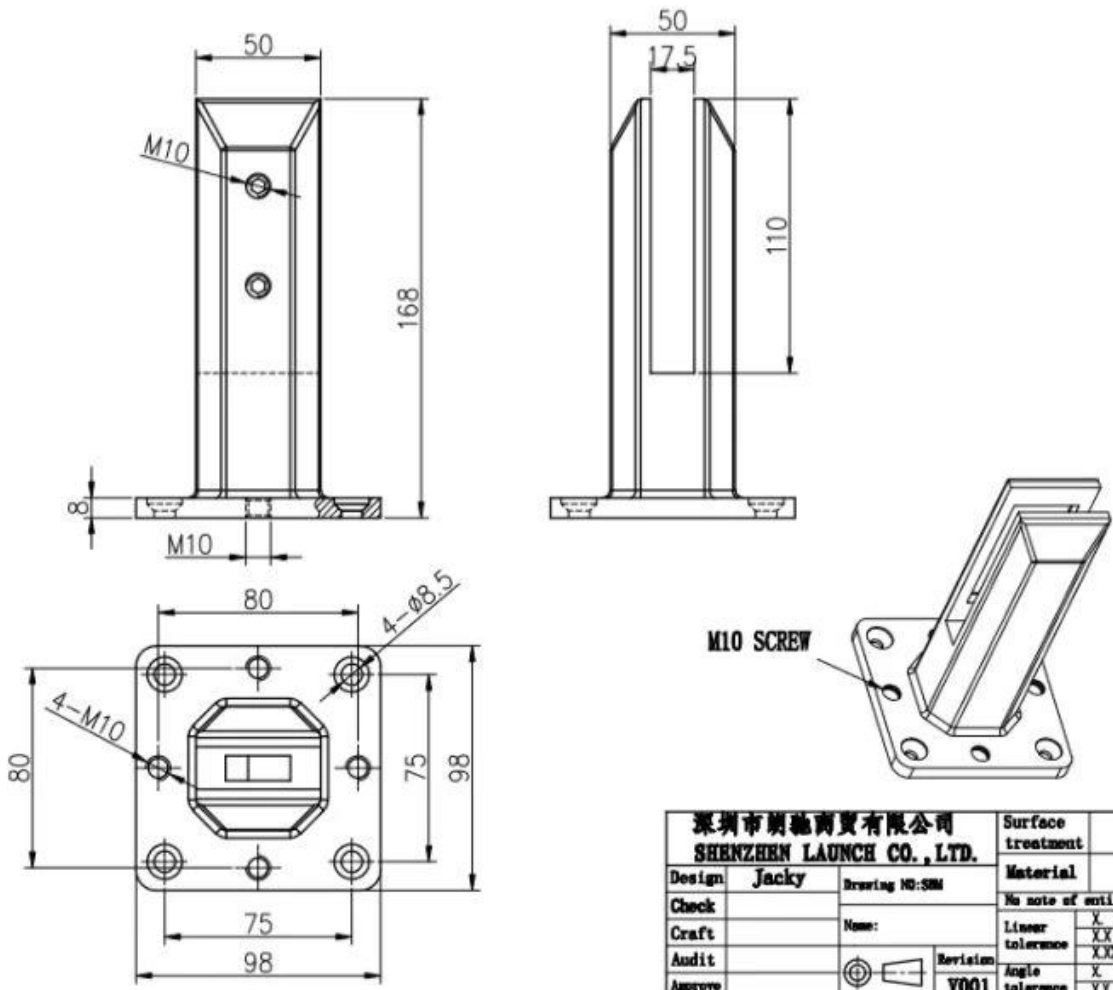




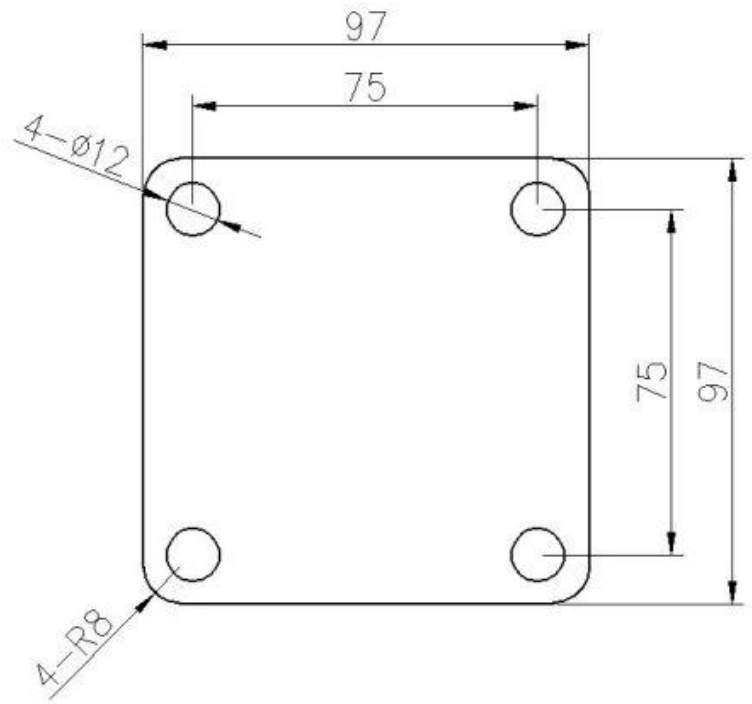
□□□□□□□□



深圳市朗馳商貿有限公司 SHENZHEN LAUNCH CO., LTD.		Surface treatment		Proportion
Design	Jacky	Material	2205	1:2
Check	Drawing NO: SM-4	No note of entity size tolerance		
Craft	Name:	Linear tolerance	X	±0.1
Audit	Revision	tolerance	XX	±0.1
Approve	①	Angle tolerance	X	±1°
	V001		XX	±0.5°

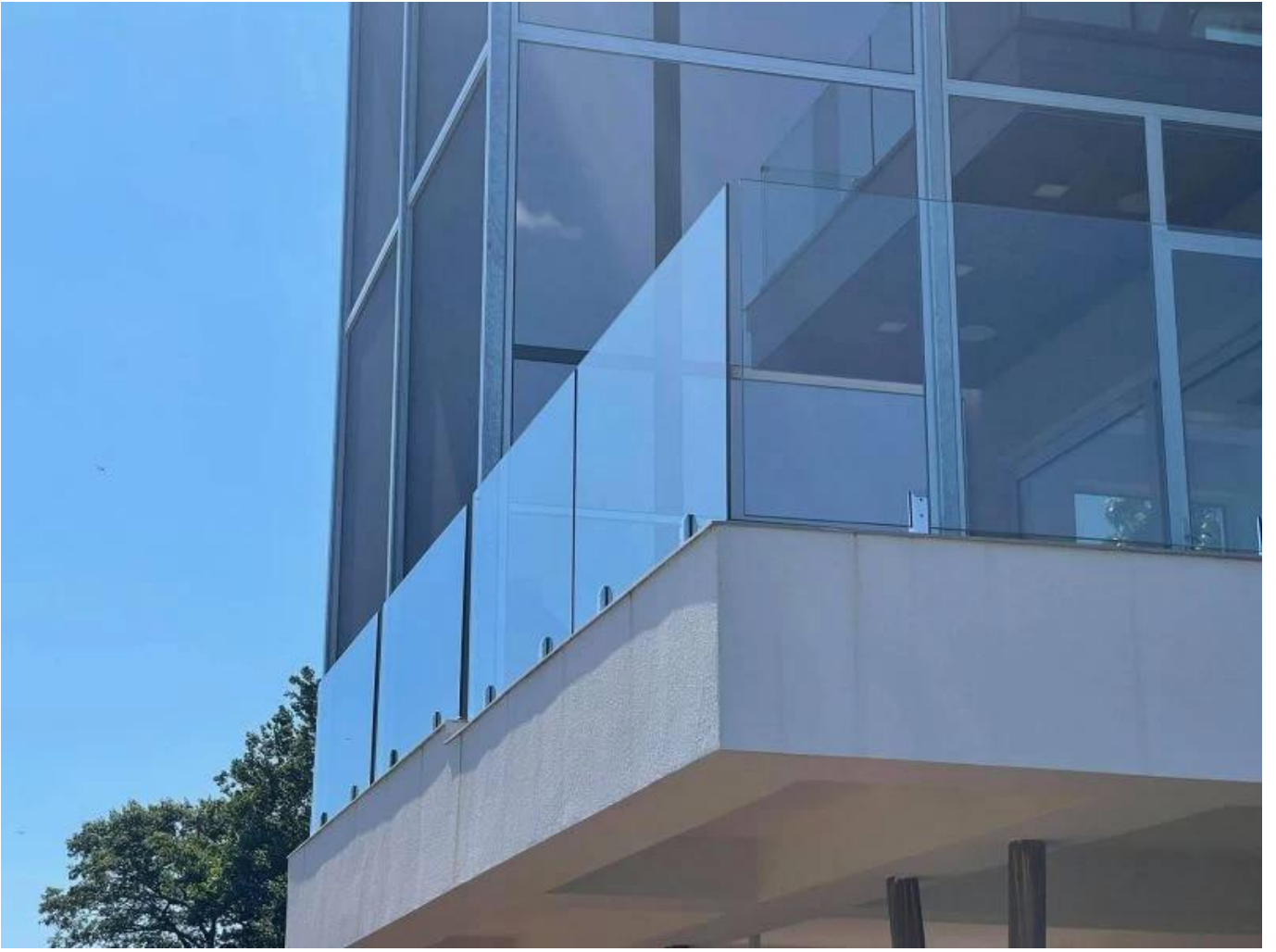


深圳市朗馳商貿有限公司 SHENZHEN LAUNCH CO., LTD.		Surface treatment		Proportion
Design	Jacky	Material		1:2
Check	Drawing NO: SM	No note of entity size tolerance		
Craft	Name:	Linear tolerance	X	±0.1
Audit	Revision	tolerance	XX	±0.1
Approve	①	Angle tolerance	X	±1°
	V001		XX	±0.5°



□□□□ □□□□







□□□□ □□ □□□□□ □□□□□ □□□□□



Surface finish
Satin



Surface finish
Mirror

RBM

SBM

RCM

SCM

**Surface finish
Matt black**



我们提供高品质的金属零件和加工服务。

请联系我们

sales02@launch-china.cn

Whatsapp / Phone / Wechat: +8615906261741