

2205





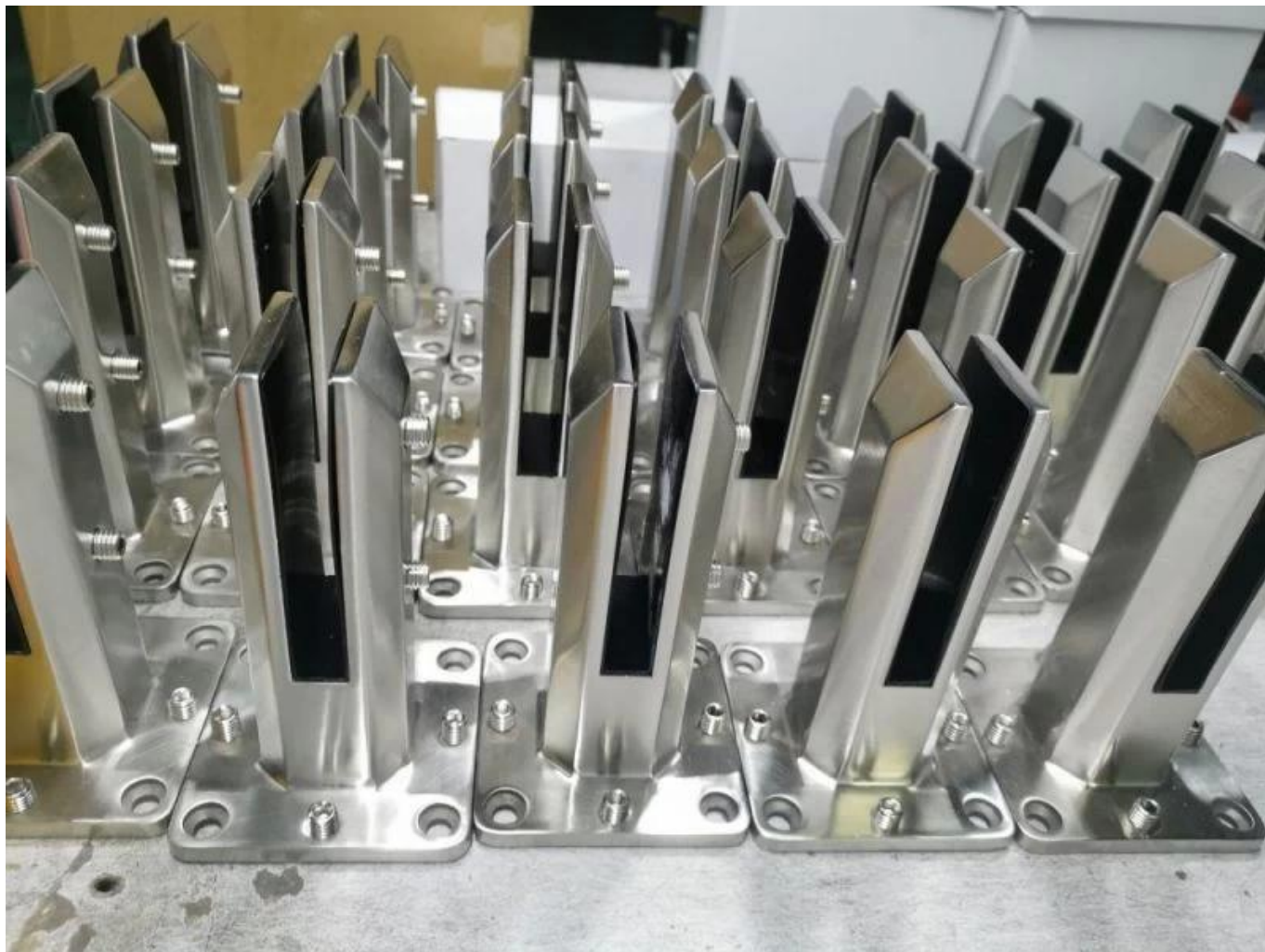
□□□□□□□□□□

□□□□ □□□□□□





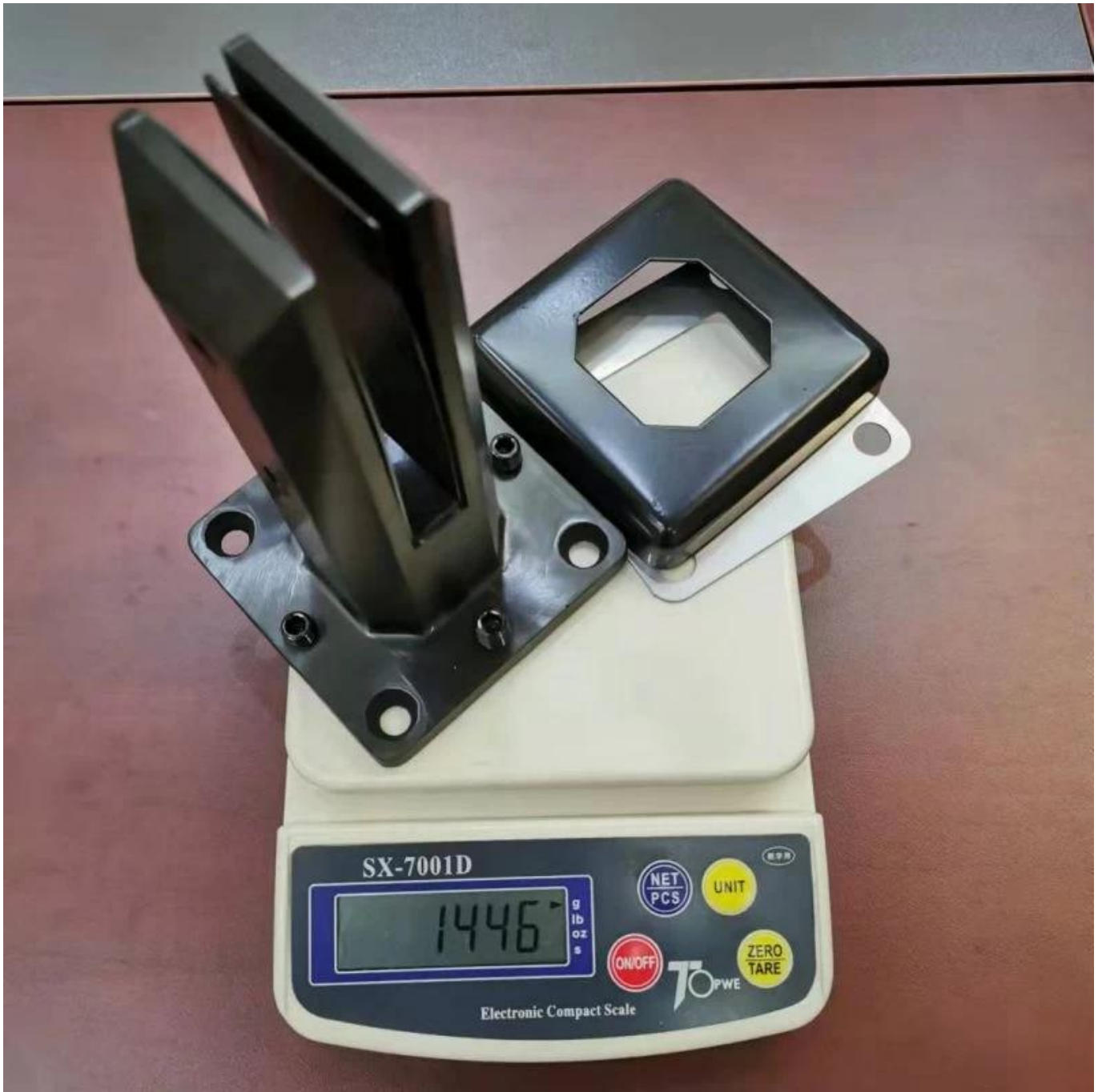


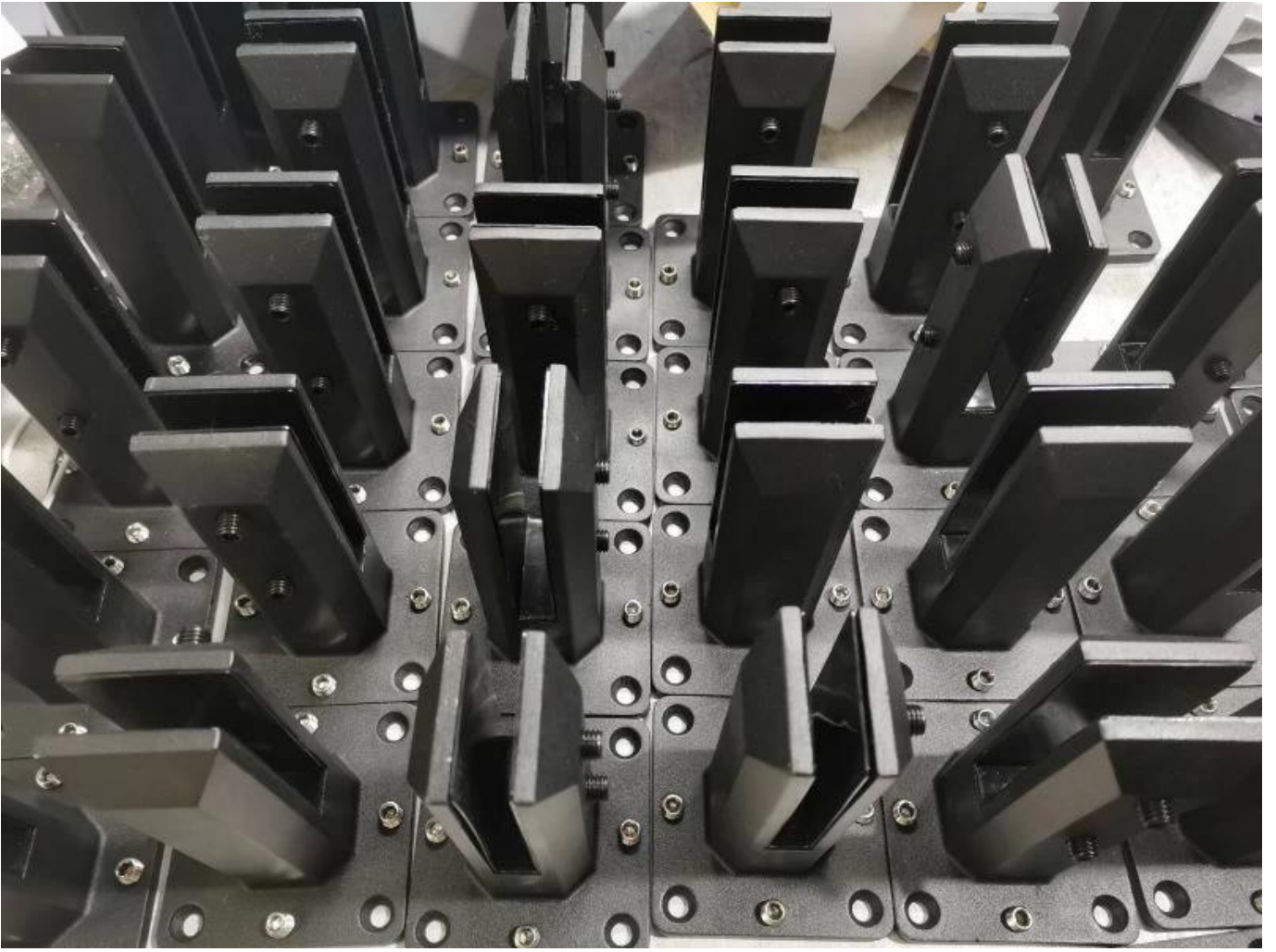


□□□□□ □□□□□ □□□



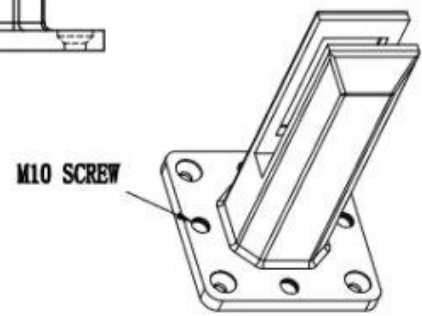
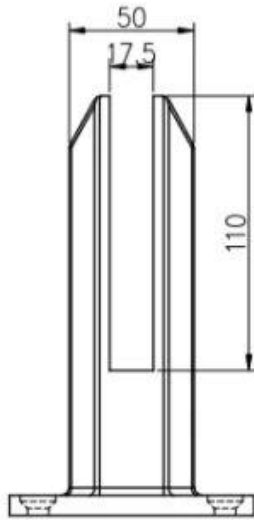
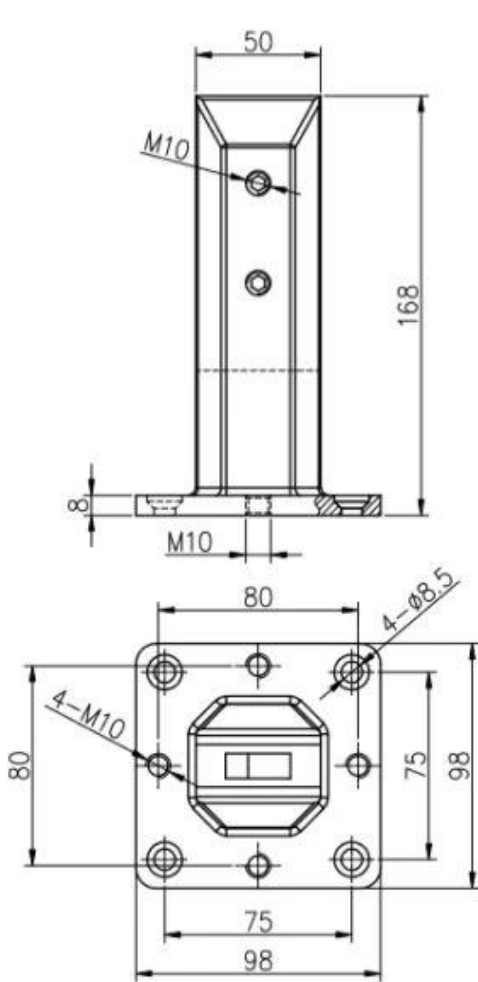




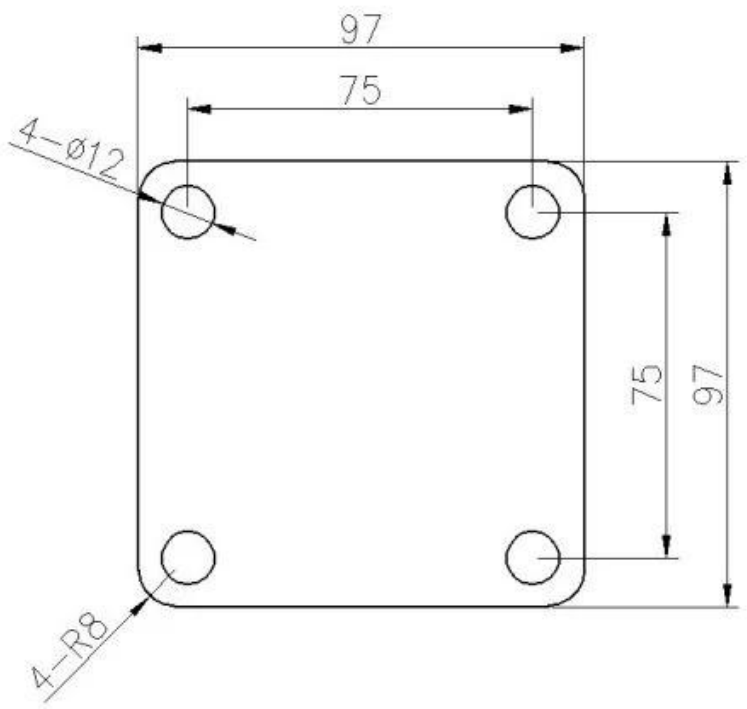


□□□□□□□□



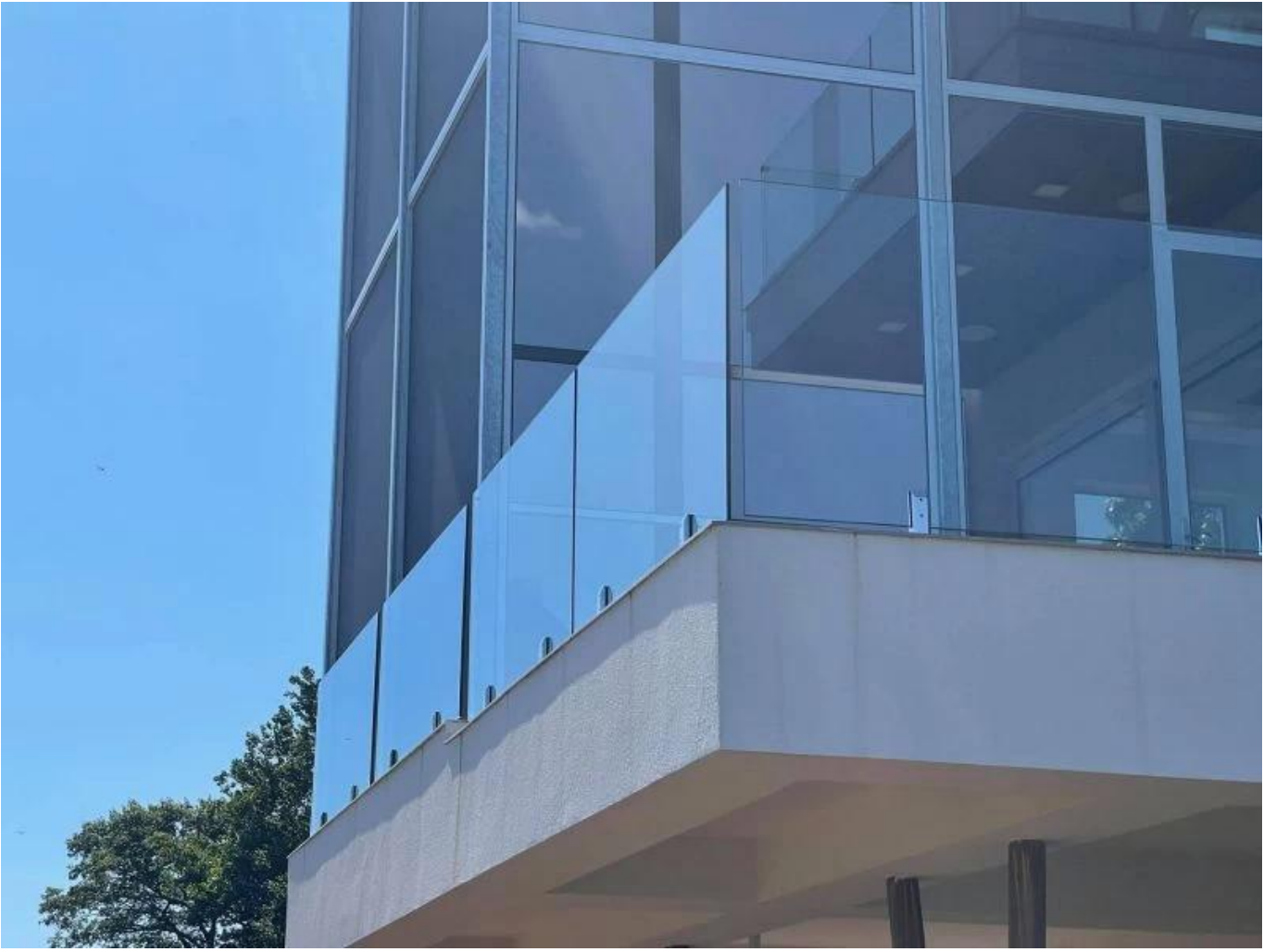


深圳市朗驰商贸有限公司 SHENZHEN LAUNCH CO., LTD.		Surface treatment	Proportion
Design	Jacky	Material	1:2
Check	Drawing NO: SM	No note of entity size tolerance	
Craft	Name:	Linear tolerance	X ±0.1
Audit	Revision	XXX	±0.1
Approve	Y001	Angle tolerance	X ±1°
			XX ±0.5°



□□□□ □□□□









□□□□ □□ □□□□□ □□□□□ □□□□□



Surface finish  
Satin



Surface finish  
Mirror

RBM

SBM

RCM

SCM



