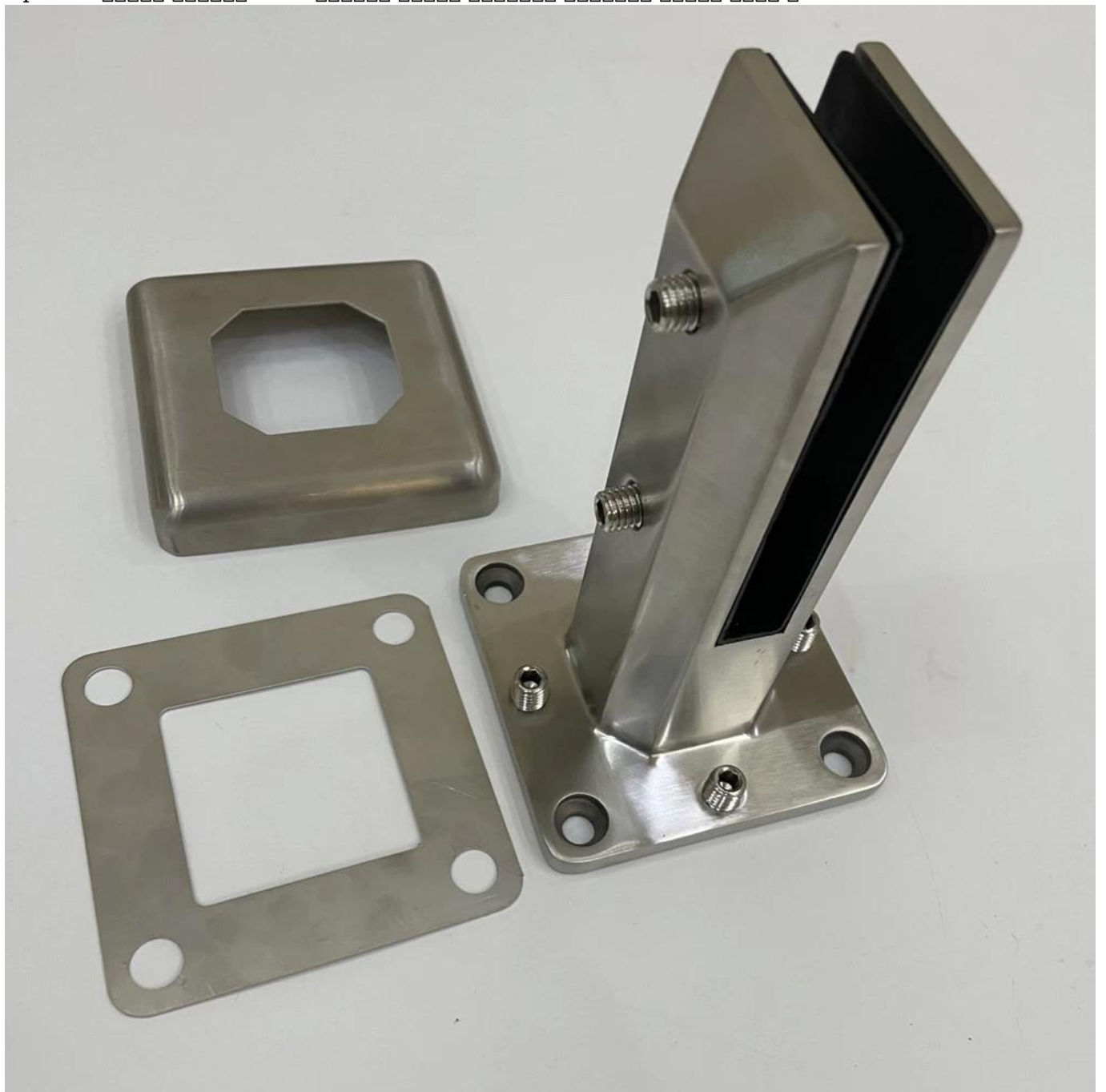


Satin 2205 stainless steel components

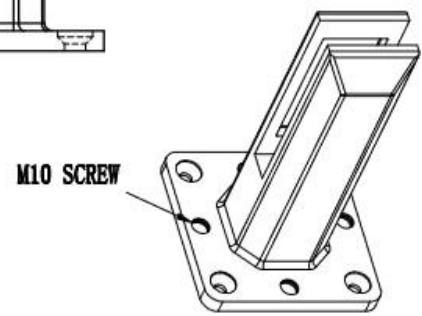
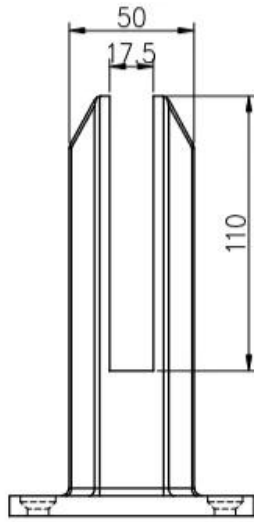
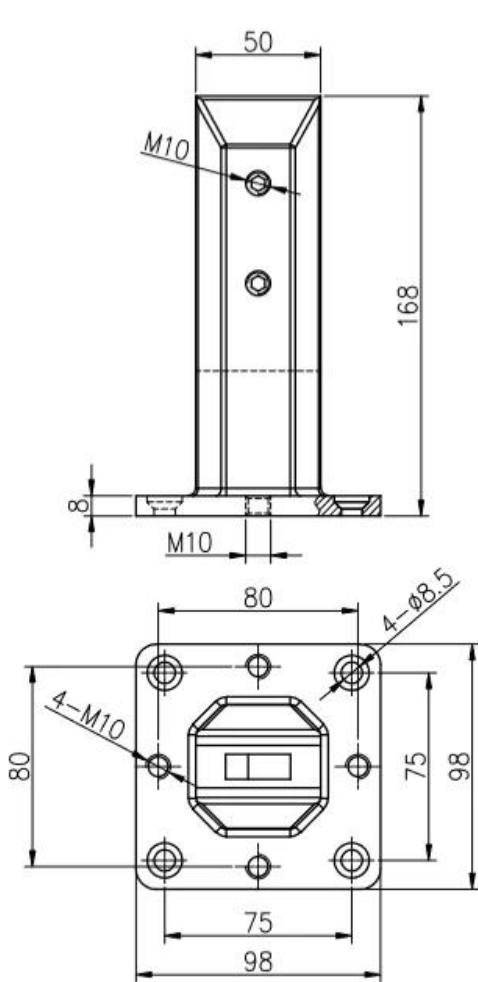
2205 stainless steel components

- 168mm
- 13.52-10
- 2205

#photos 2205 stainless steel components







深圳市朗馳商貿有限公司 SHENZHEN LAUNCH CO., LTD.		Surface treatment	Proportion
Design	Jacky	Material	1:2
Check	Drawing NO: SM	No note of entity size tolerance	
Craft	Name:	Linear tolerance	X ±0.1
Audit	Revision	XX	±0.1
Approve	VOG1	Angle tolerance	X ±1°
			XX ±0.5°

000000 000000 00 0000000 0000000 000000 2205 0000000



12/16/2020 5:54:18 PM



Method: Fe-30
 Comment: Cr-, Cr/Ni-steel Type corr.concentr.
 Type Standard 18--8
 Sample Name: Sample ID:

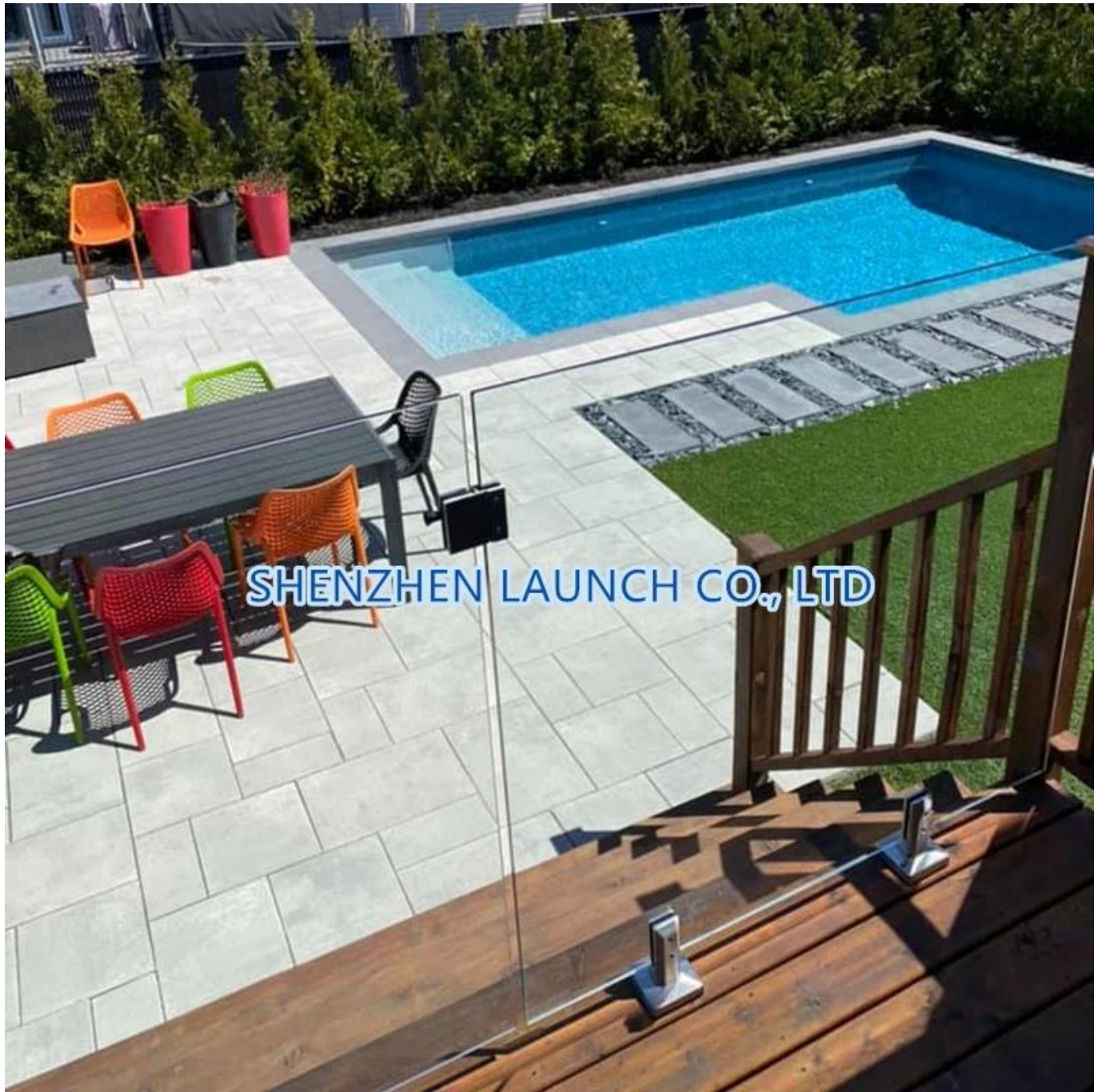
12/16/2020 5:54:09 PM

	C	Si	Mn	P	S	Cr	Mo	Ni
	%	%	%	%	%	%	%	%
< x > (1)	0.0224	0.8873	1.1010	0.0263	0.0032	21.6796	3.0718	5.5691

	Al	Co	Cu	Nb	Ti	V	W	Pb
	%	%	%	%	%	%	%	%
< x > (1)	< 0.0005	0.0797	0.1603	< 0.0002	0.0044	0.0893	0.0305	< 0.0002

	Sn	Sb	B	N	Fe			
	%	%	%	%	%			
< x > (1)	0.0092	< 0.0004	0.0024	0.1024	67.1600			

[redacted] project of spigot 2205 [redacted] [redacted] [redacted] [redacted] [redacted]



SHENZHEN LAUNCH CO., LTD

