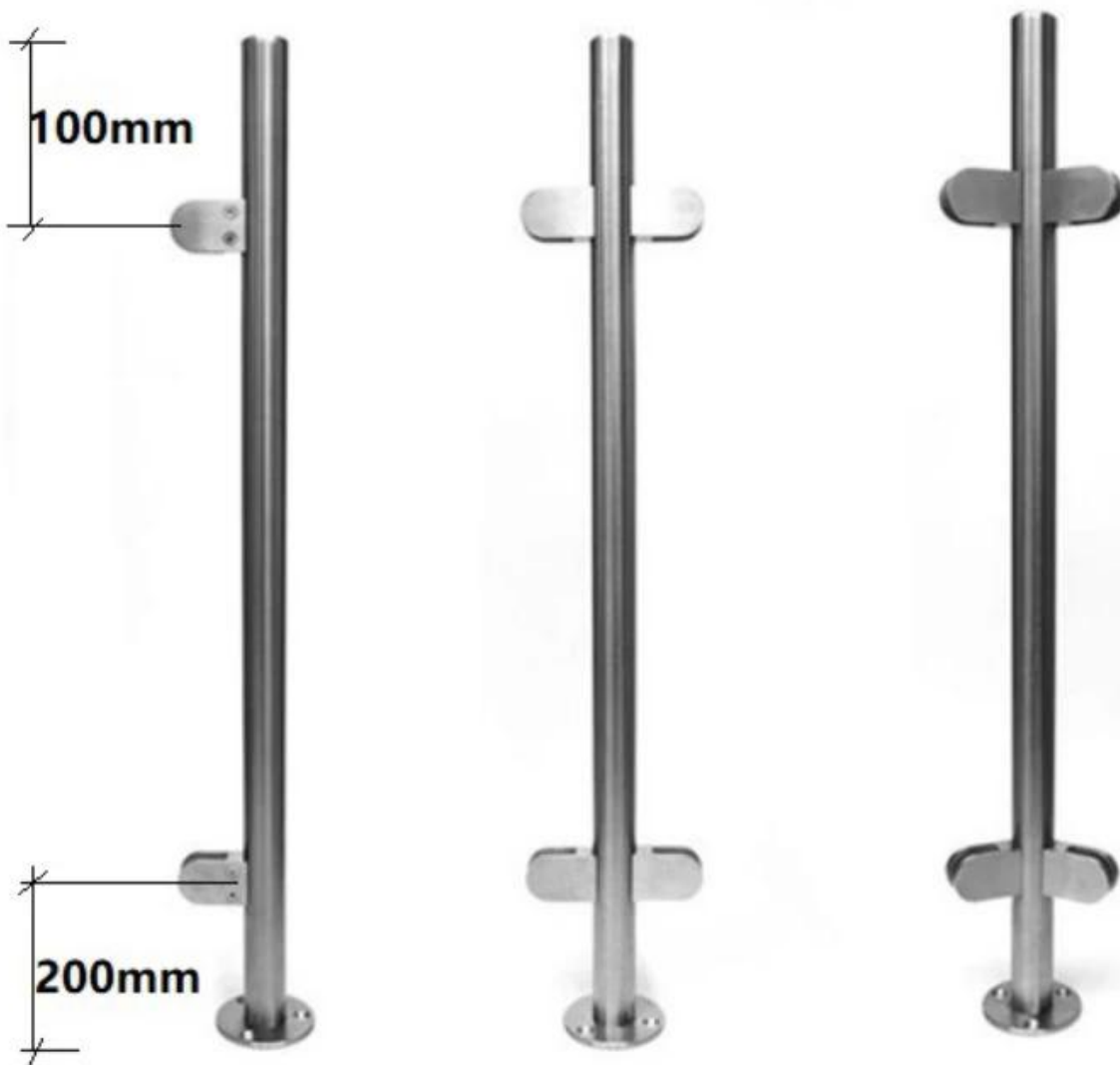


KEBIL 304SS / 316SS / 316LSS

產品名稱	KEBIL 304SS / 316SS / 316LSS
材質	304SS / 316SS / 316LSS
規格	1.5 × 50.8 / 42.4
長度	10/12
備註	此產品為標準規格，如有特殊需求，請洽詢本公司業務部。

KEBIL 304SS / 316SS / 316LSS 產品特點：





1-way post



2-way 180° post

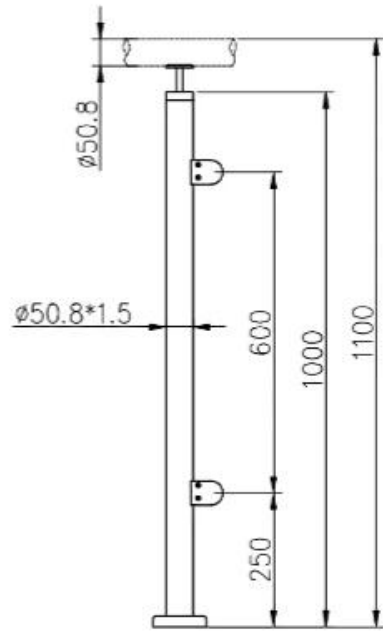


2-way 90° post

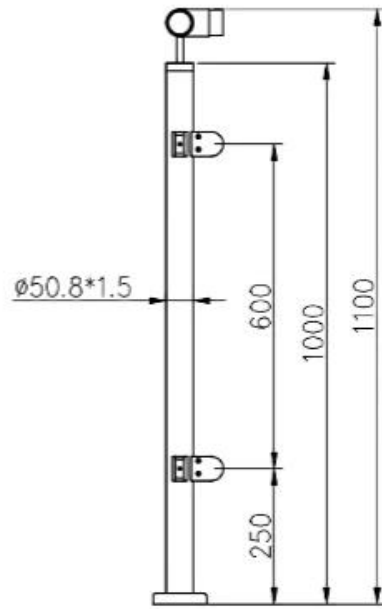


□□□□□□ □□ □□□□□□□□□□:

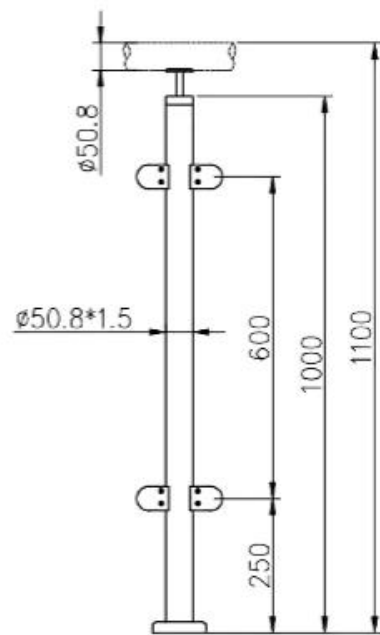
KEBIL 科比奥®



KEBIL 科比奥®



KEBIL 科比奥®



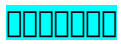
1). 0 00000 0000000 00000 0000 000 000000000000:

KEBIL 科比奥®



2). 0 00000 0000000 00000 0000 000 000000 0000:

KEBIL 科比奥®



Glass Clamp Installation Guide



Mark and centre punch desired location of blind rivet nut location.



Drill centre punched hole in tube to suit blind rivet nut.



Insert blind rivet nut into tube and fasten with blind rivet tool.



Check installed blind rivet nut is secure and ready for install.



Align half glass clamp with blind rivet nut inline position. Screw in button head cap screw into thread and tighten with hex key.



Select appropriate rubber gasket to suit glass panel thickness. Install rubber gasket into both sides of glass clamp. (Note rubber gasket marked with sizes).



If heavier clamping load is required please use supplied glass clamp pin, during the install process. Note glass panels will require drilling in order to fit glass clamp pins.



Fit glass panel into position, install second half of glass clamp secure with provided hex screws.



Tighten glass clamps with hex key, and check glass panel are secure with no movement.







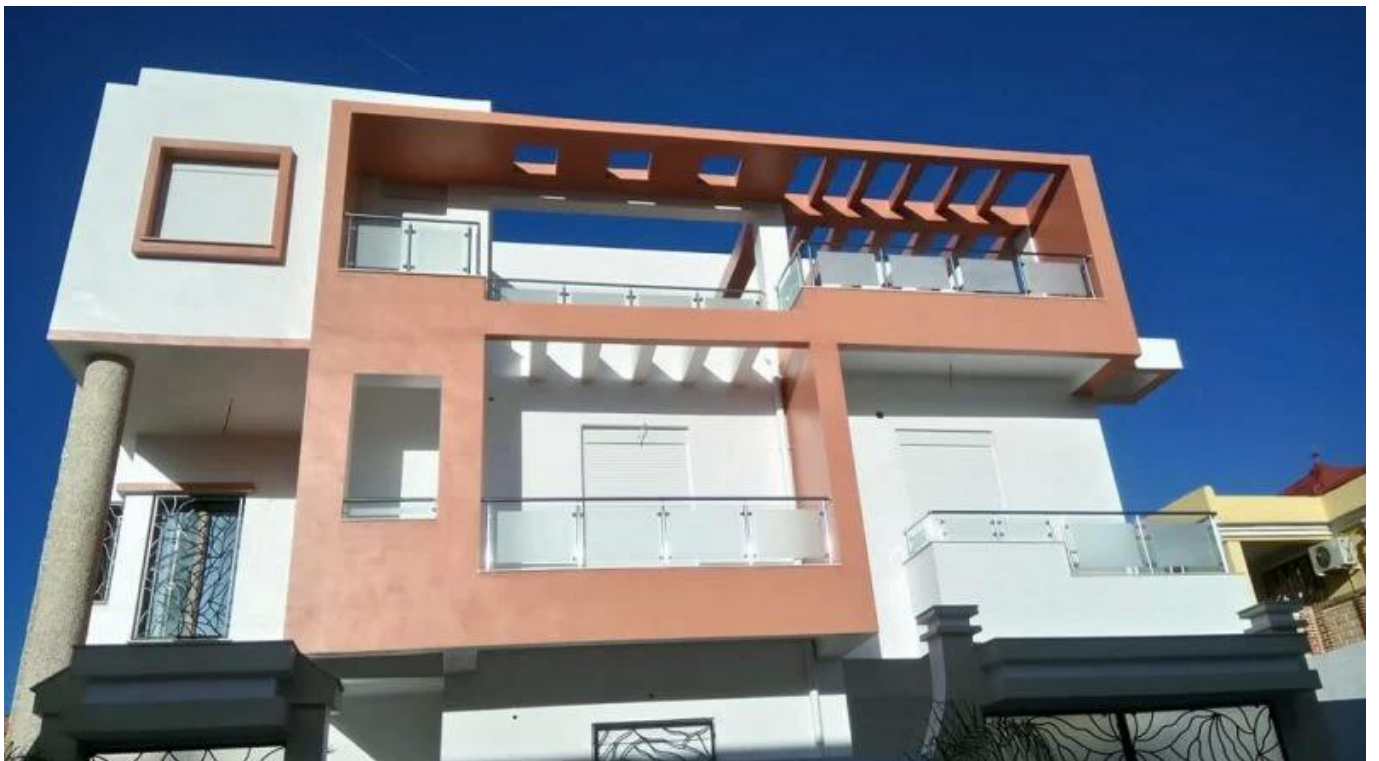
■■■■■■■■ ■■■■

■■■■■■ ■■■■■■■■ ■■■■ ■■ .■■■■■■■■■■ ■■■■ ■■■■■■ ■ ■■■■■■■■■■■ ■■■■ ■■ ■■■■■■ ■■

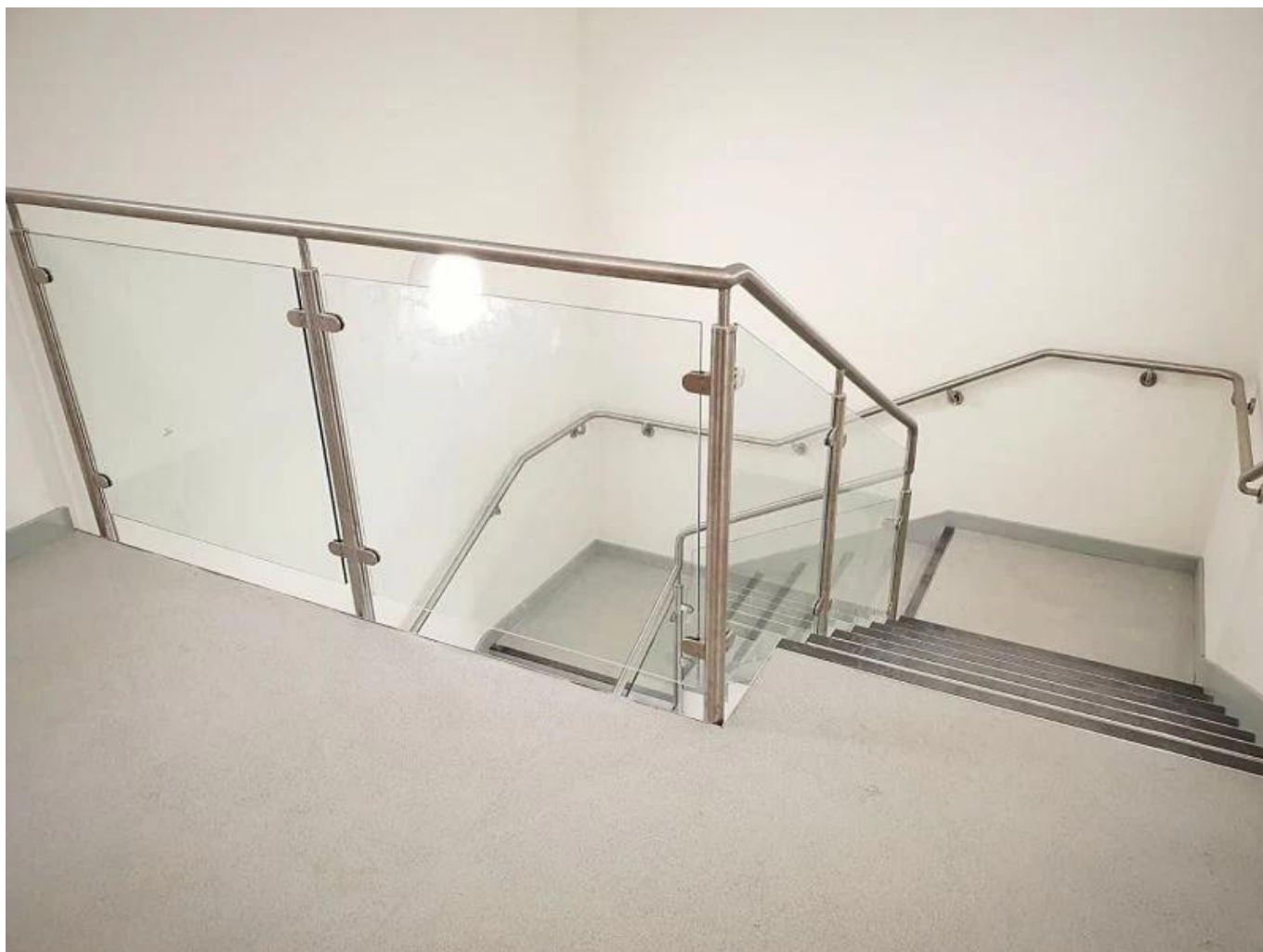




□□□□□□ □□□□







我们专业生产各种类型的玻璃栏杆系统，包括楼梯、阳台、走廊和露台。我们提供定制化的解决方案，以满足您的具体需求。

联系我们

电子邮箱: sales02@launch-china.cn

WhatsApp / Wechat: +8615906261741