

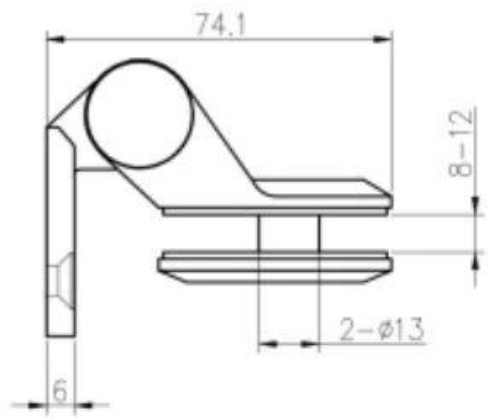
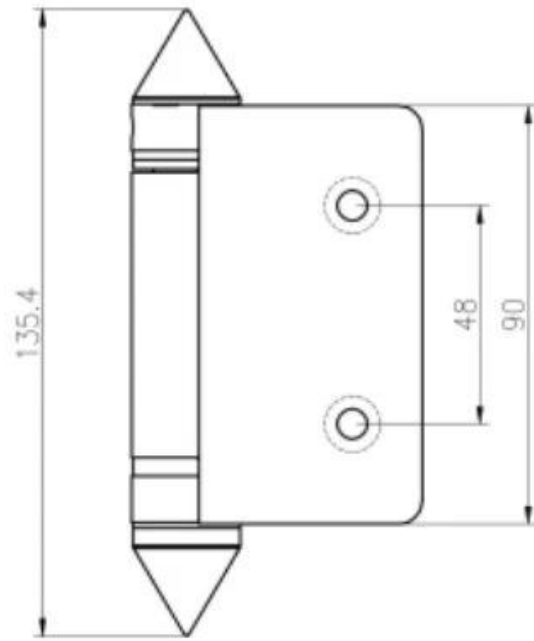
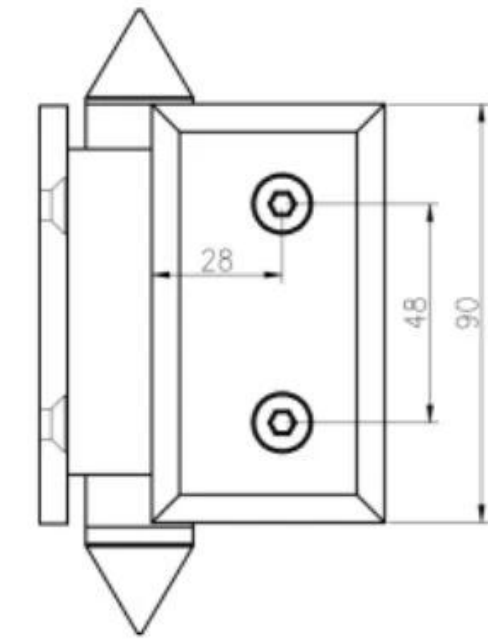
Shenzhen Launch 12-8 30

12-8

30

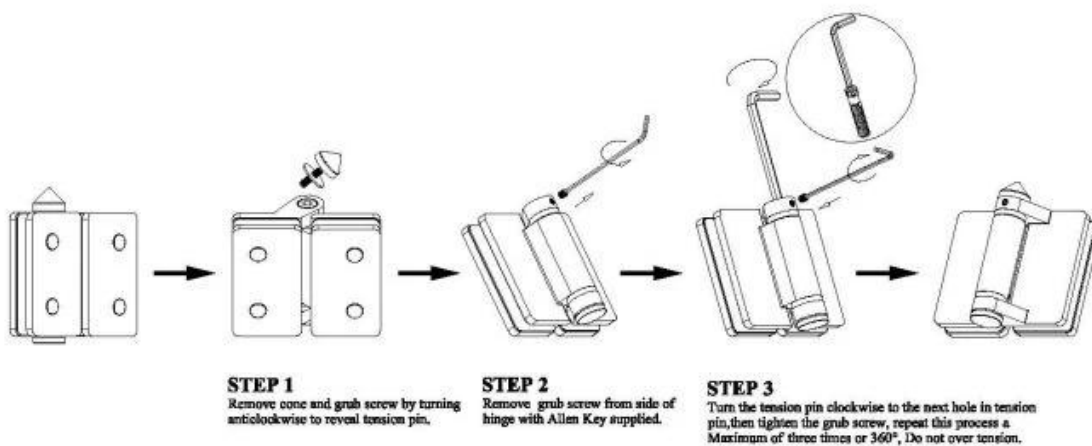
30





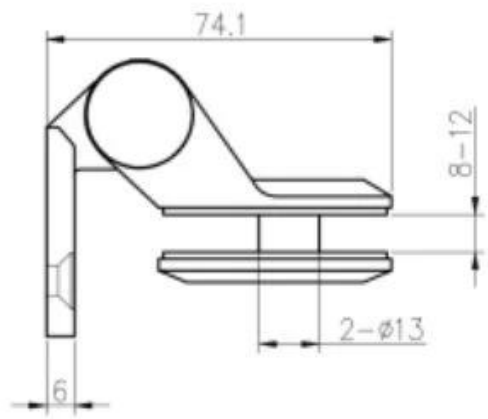
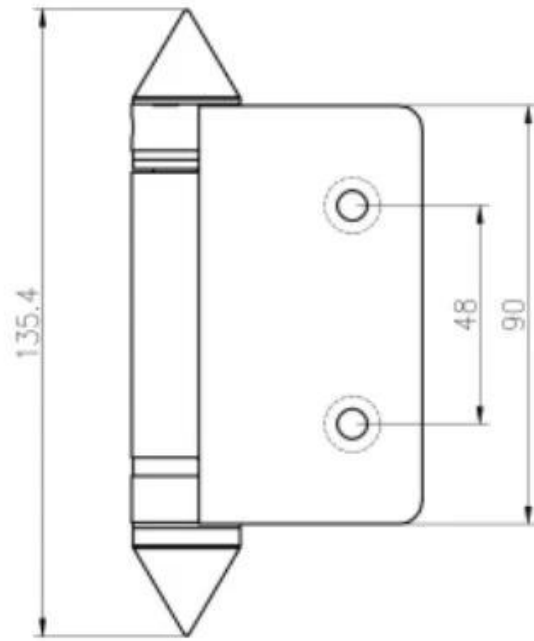
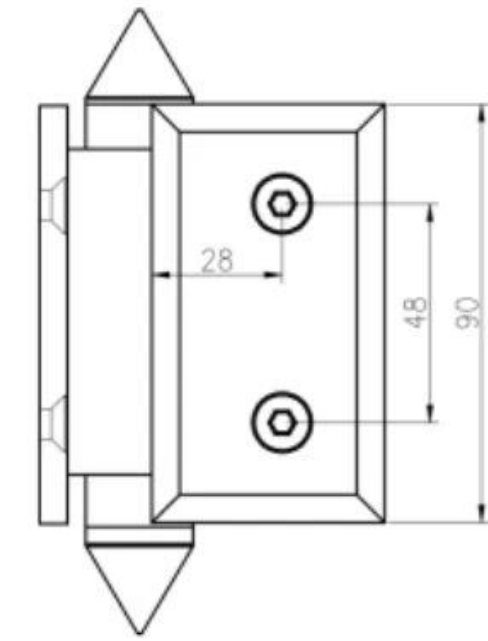
G-W

Instructions for adjusting tension on Glass to Glass hinge



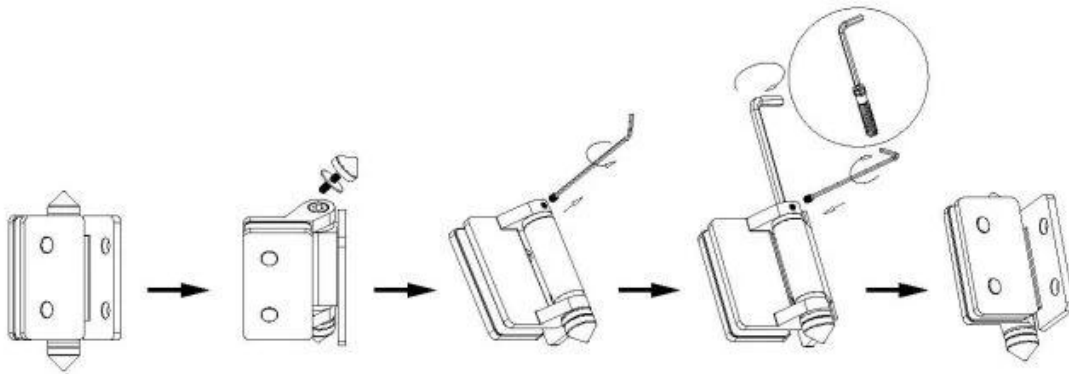
KEBIL 科比奥®





G-W

Instructions for adjusting tension on Glass to Wall hinge



STEP 1
Remove cone and grub screw by turning anticlockwise to reveal tension pin.

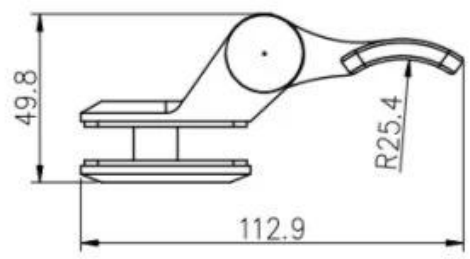
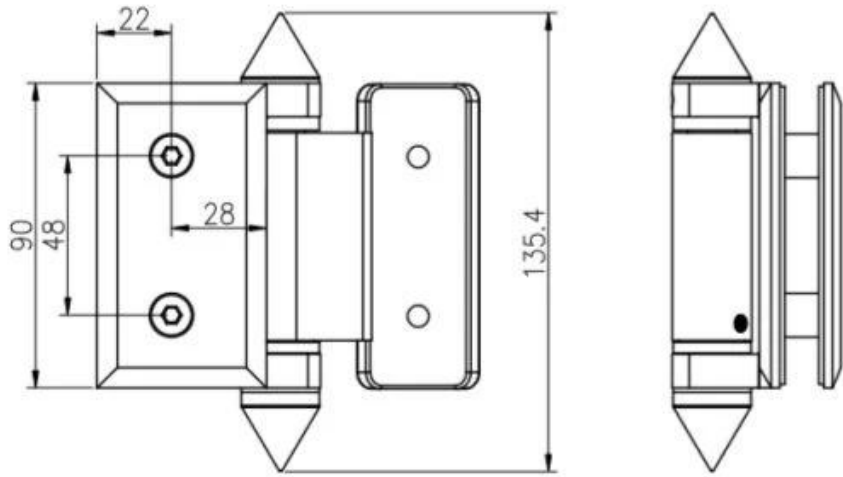
STEP 2
Remove grub screw from side of hinge with Allen Key supplied.

STEP 3
Turn the tension pin clockwise to the next hole in tension pin, then tighten the grub screw, repeat this process a Maximum of three times or 360°, Do not over tension.



KEBIL 科比奥®

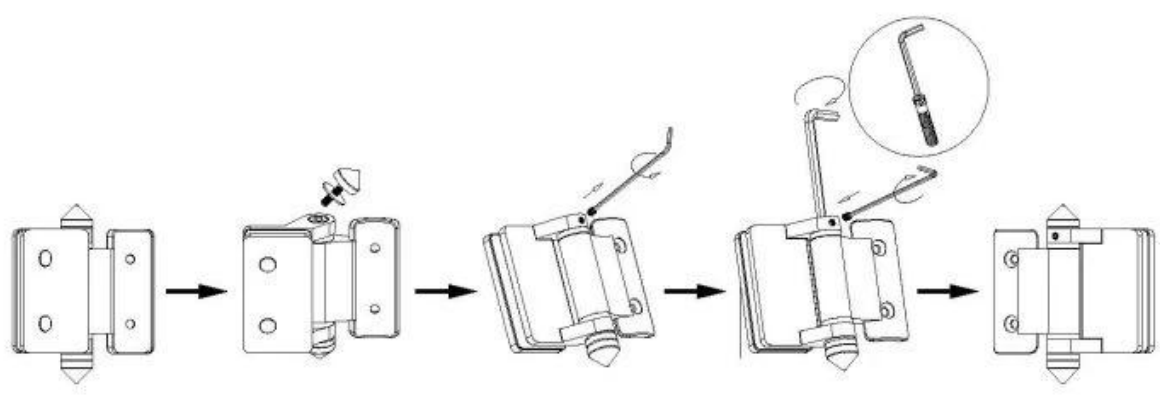




深圳市朗驰商贸有限公司 SHENZHEN LAUNCH CO., LTD.		表面处理	比例
设计	Jacky	材料	1:1.5
校对	图号:G-R	未注实体尺寸公差	
工艺		X	±0.1
审核		XX	±0.1
批准	版次	XXX	±0.1
	V001	X	±1°
		角度公差	XX
			±0.5°



Instructions for adjusting tension on Glass to Round post hinge



- STEP 1**
Remove cone and grub screw by turning anticlockwise to reveal tension pin.
- STEP 2**
Remove grub screw from side of hinge with Allen Key supplied.
- STEP 3**
Turn the tension pin clockwise to the next hole in tension pin, then tighten the grub screw, repeat this process a Maximum of three times or 360°, Do not over tension.

□□□□ □□□□□□ □□□□□□ □□□□□□ □□□□□□









□□□□□□ □□□□





我们提供高品质的玻璃围栏系统，适用于各种户外空间，确保安全与美观。

联系我们

微信 / Wechat / Whatsapp: +8615906261741

电子邮箱: sales02@launch-china.cn