

此系列合页采用高品质材料，具有优异的耐腐蚀性和机械性能。适用于各种玻璃门，最大承重可达30公斤。合页高度为90mm，宽度为106.8mm、113.3mm和50mm。合页表面经过精细抛光处理，外观美观大方。合页安装简便，使用寿命长。合页适用于各种玻璃门，最大承重可达30公斤。合页高度为90mm，宽度为106.8mm、113.3mm和50mm。合页表面经过精细抛光处理，外观美观大方。合页安装简便，使用寿命长。

合页系列

Spring loaded hinges

Stainless steel spring loaded hinges

-Made of SS 316

- For use of 8-12.76mm glass

Maximum door leaf weight : 30 kg /pair

Maximum door leaf width : 900mm

Spring can be adjusted for closing speed control .



Part # G-G



Part # G-R



Part # G-W

SHENZHEN LAUNCH CO., LTD

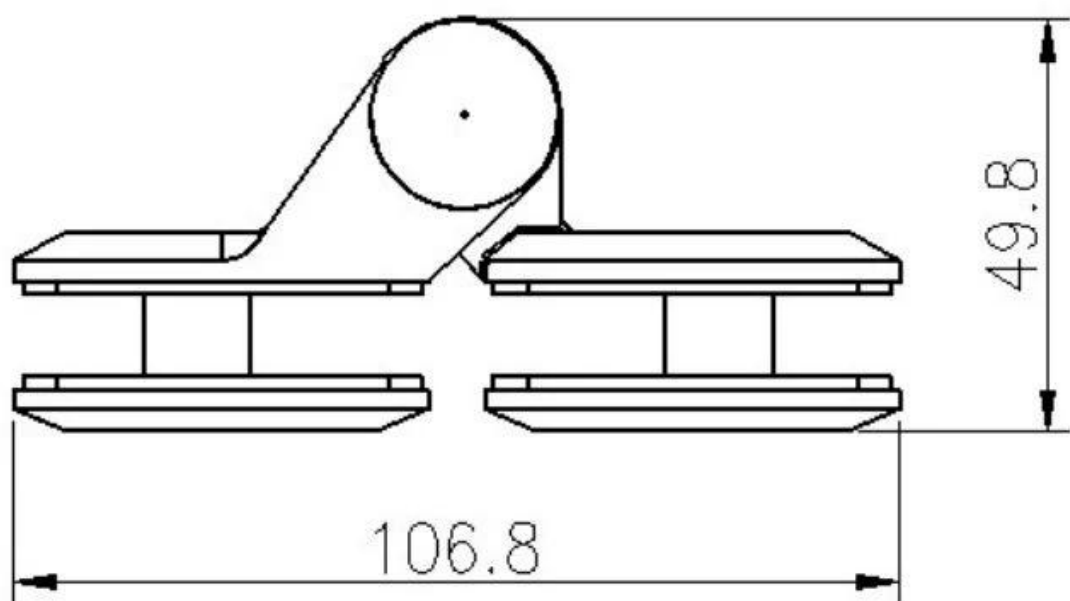
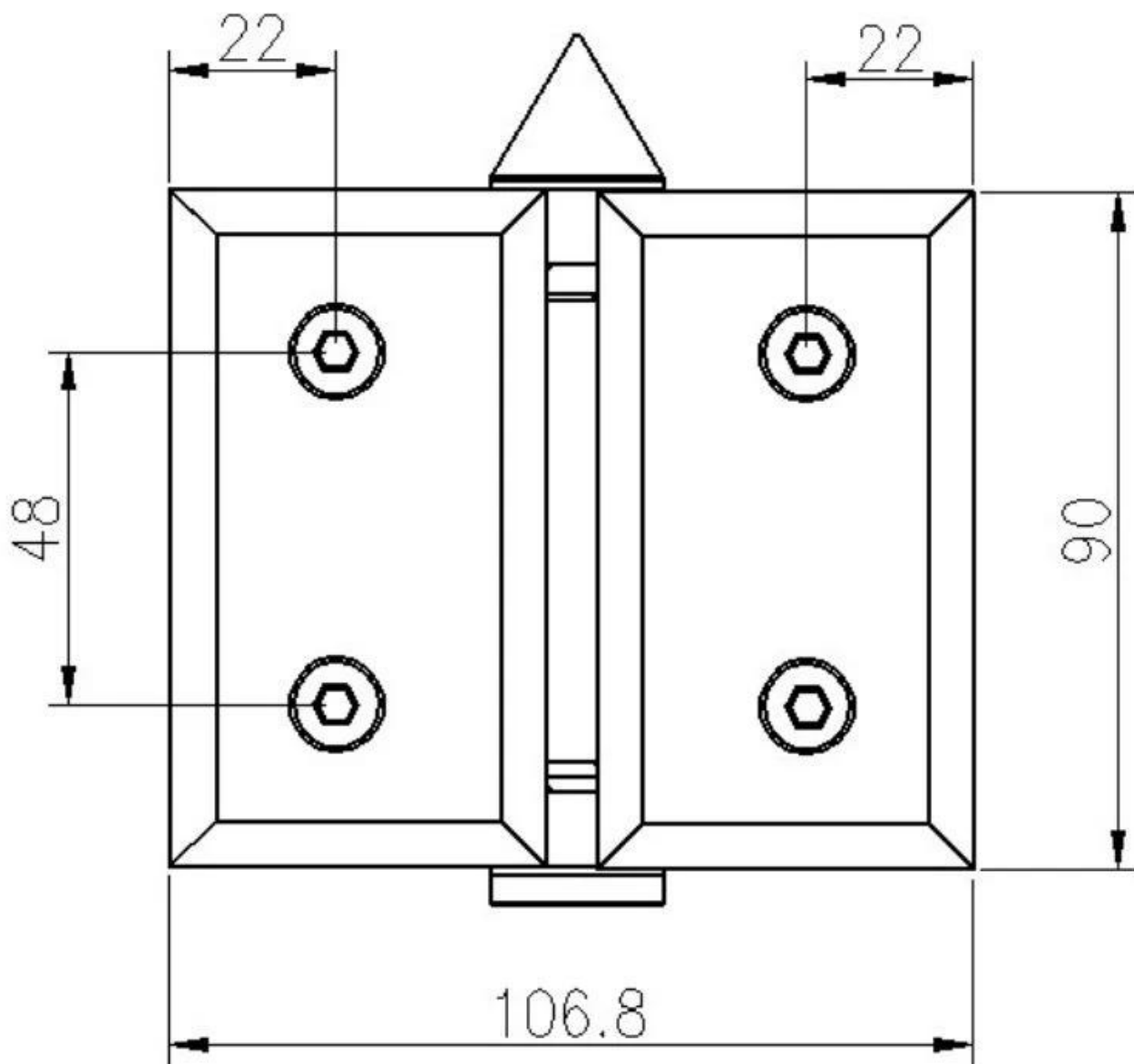
1

合页系列

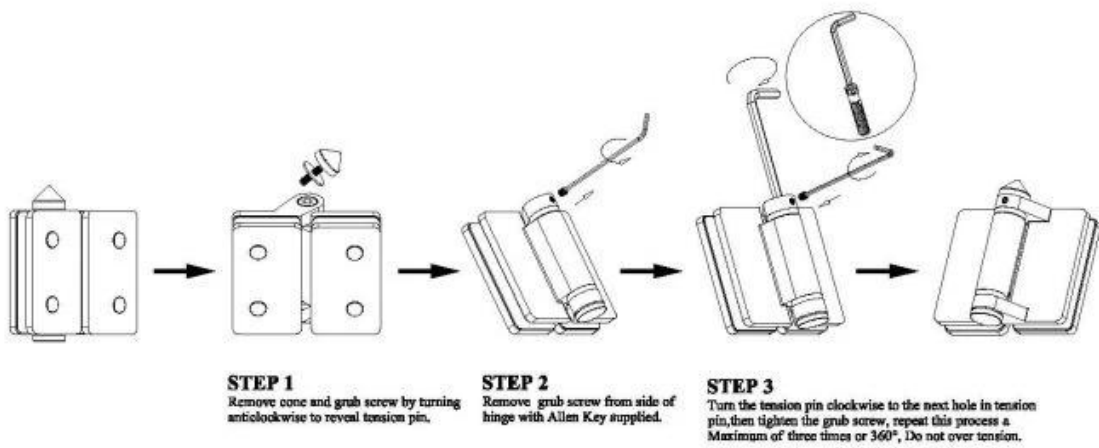
合页系列:G-G

KEBIL 科比奥®





Instructions for adjusting tension on Glass to Glass hinge

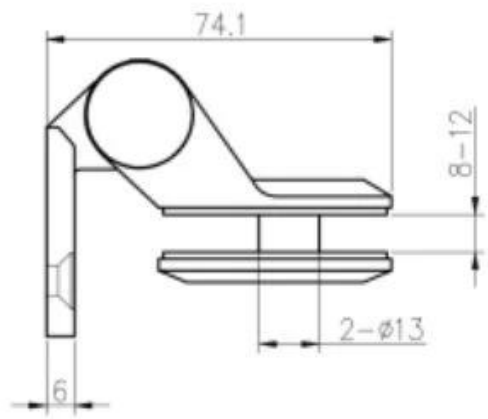
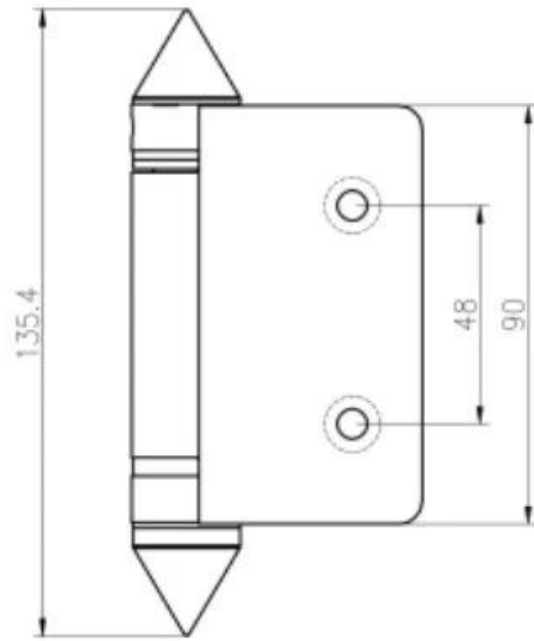
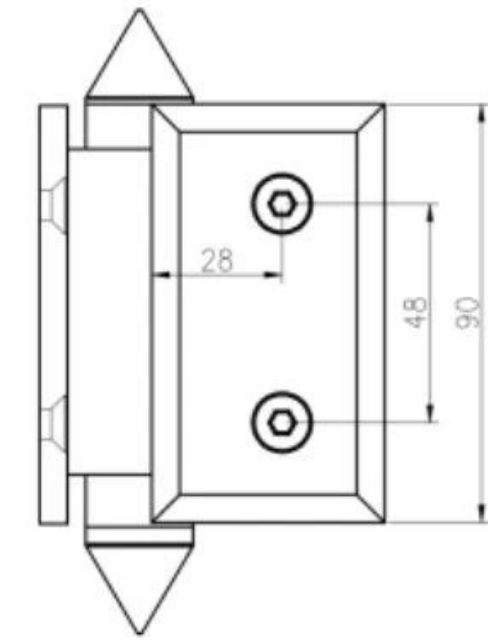


■■■■■■■■ ■■■ ■■■ ■■■■■■■■

■■:■■■ ■■■■■■

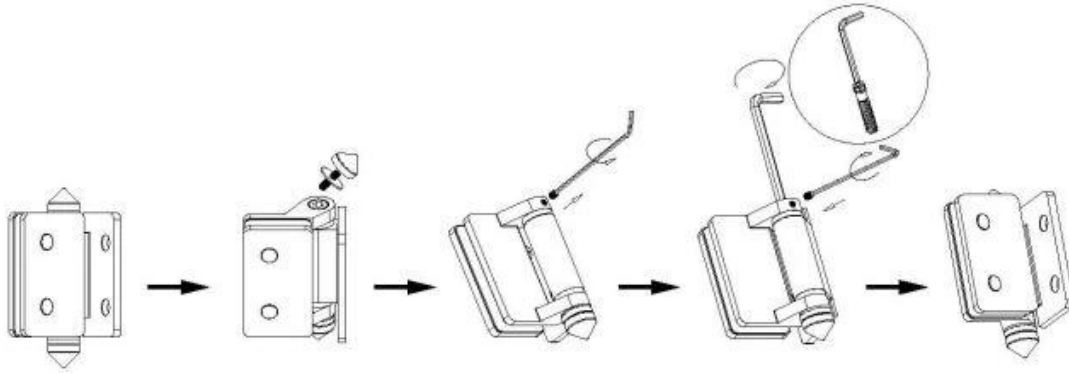
KEBIL 科比奥®





G-W

Instructions for adjusting tension on Glass to Wall hinge



STEP 1
Remove cone and grub screw by turning anticlockwise to reveal tension pin.

STEP 2
Remove grub screw from side of hinge with Allen Key supplied.

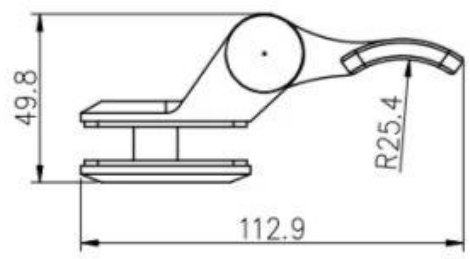
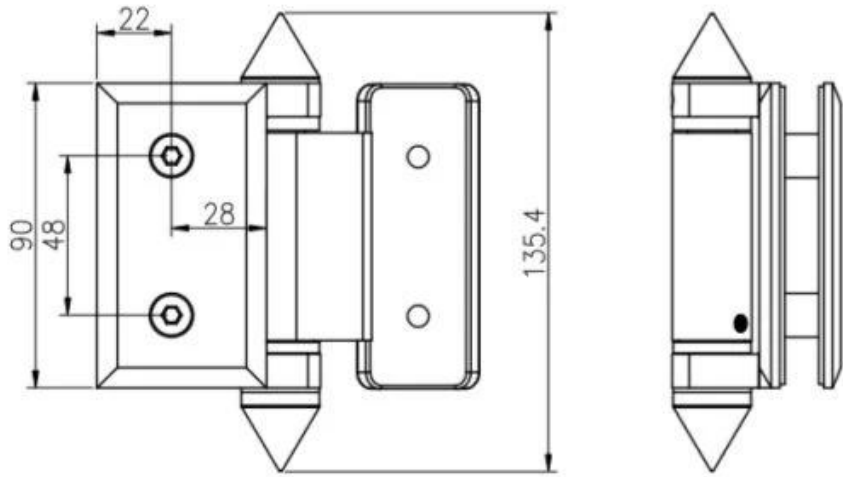
STEP 3
Turn the tension pin clockwise to the next hole in tension pin, then tighten the grub screw, repeat this process a Maximum of three times or 360°, Do not over tension.

□□□□□□ □□□ □□□ □□□□□□

□□□ □□□□□.:G-R.

KEBIL 科比奥®

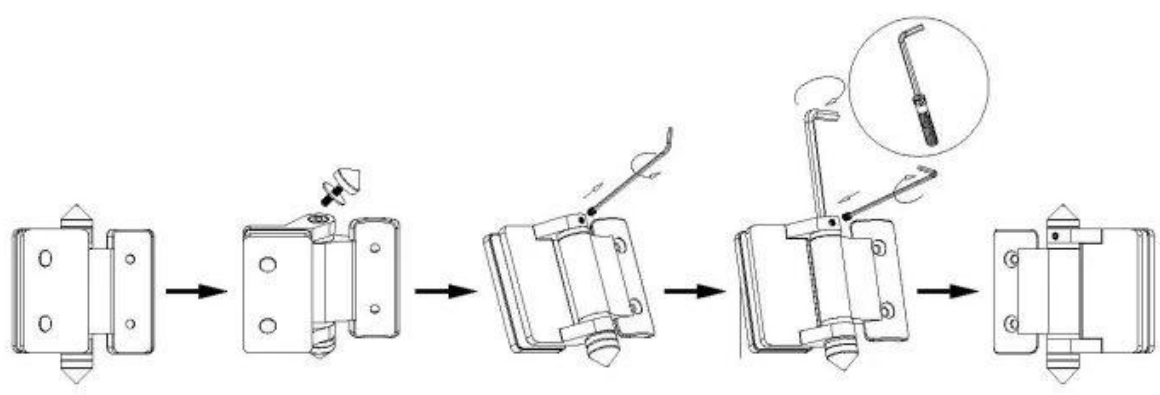




深圳市朗驰商贸有限公司 SHENZHEN LAUNCH CO., LTD.		表面处理	比例
设计	Jacky	材料	1:1.5
校对	图号:G-R	未注实体尺寸公差	
工艺		X	±0.1
审核		XX	±0.1
批准	版次	XXX	±0.1
	V001	X	±1°
		角度公差	XX
			±0.5°



Instructions for adjusting tension on Glass to Round post hinge



- STEP 1**
Remove cone and grub screw by turning anticlockwise to reveal tension pin.
- STEP 2**
Remove grub screw from side of hinge with Allen Key supplied.
- STEP 3**
Turn the tension pin clockwise to the next hole in tension pin, then tighten the grub screw, repeat this process a Maximum of three times or 360°, Do not over tension.

□□□□ □□□□□□ □□□□□□ □□□□□□ □□□□□□





■■■■■■picturer.



□□□□ picturer





KEBIL 科比奥® SHENZHEN LAUNCH CO.LTD
LAUNCH INTERNATIONAL LIMITED



Spring loaded hinges

Stainless steel spring loaded hinges

-Made of SS 316

- For use of 8-10mm glass

Maximum door leaf weight : 20 kg /pair

Maximum door leaf width : 900mm

Spring can be adjusted for closing speed control .



Part # G-G2



Part # G-R2



Part # G-W2



G-G 1



G-R 1



G-W 1

Glass to glass hinge



Glass to round post hinge



Glass to wall hinge



Latch for round post



Latch for glass



Latch for wall



launch-china.en.alibaba.com

180 degree shower hinge
glass to glass hinge



90 degree shower hinge
wall to glass hinge



00 00000000 00 000000 0000 000000000000 00 00000 0000 0000.

00000 000000

☎☎☎☎ / Wechat / Whatsapp: +8615906261741

☎☎☎☎☎☎☎☎ ☎☎☎☎☎☎: sales02@launch-china.cn.