



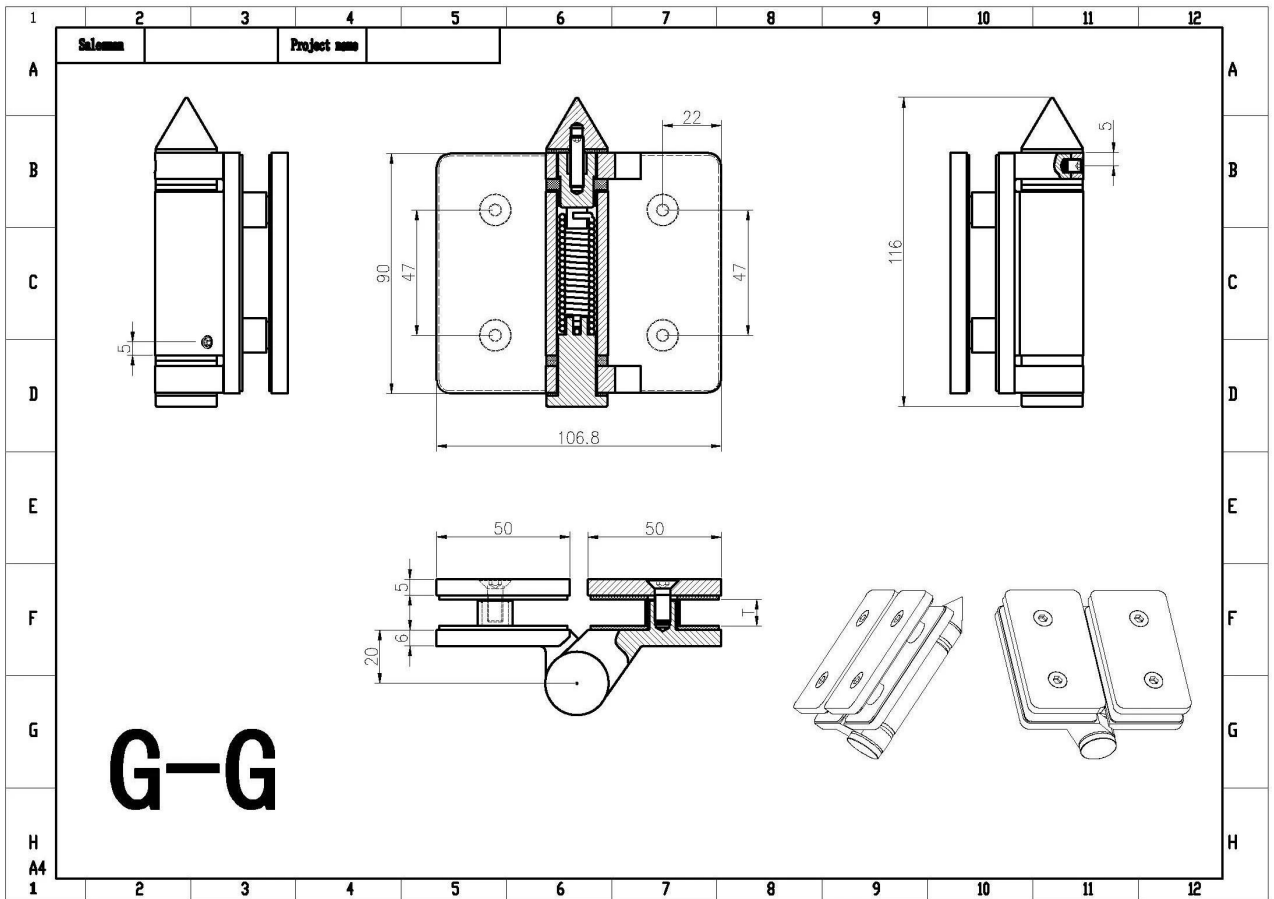




SHENZHEN LAUNCH CO., LTD



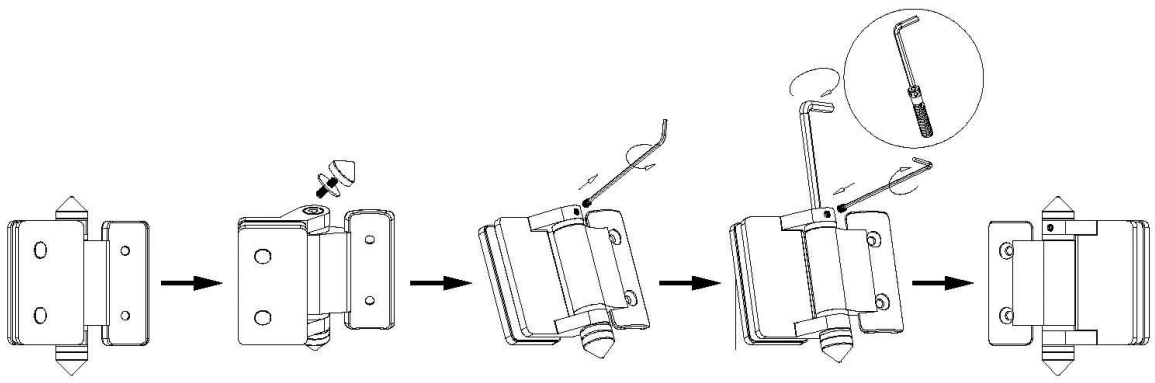
SHENZHEN HUIYU CH CO., LTD



□□□□□□ □□□□□□ □□ □□□□□□ □□ □□□□□□ □□□□□□□□



Instructions for adjusting tension on Glass to Round post hinge

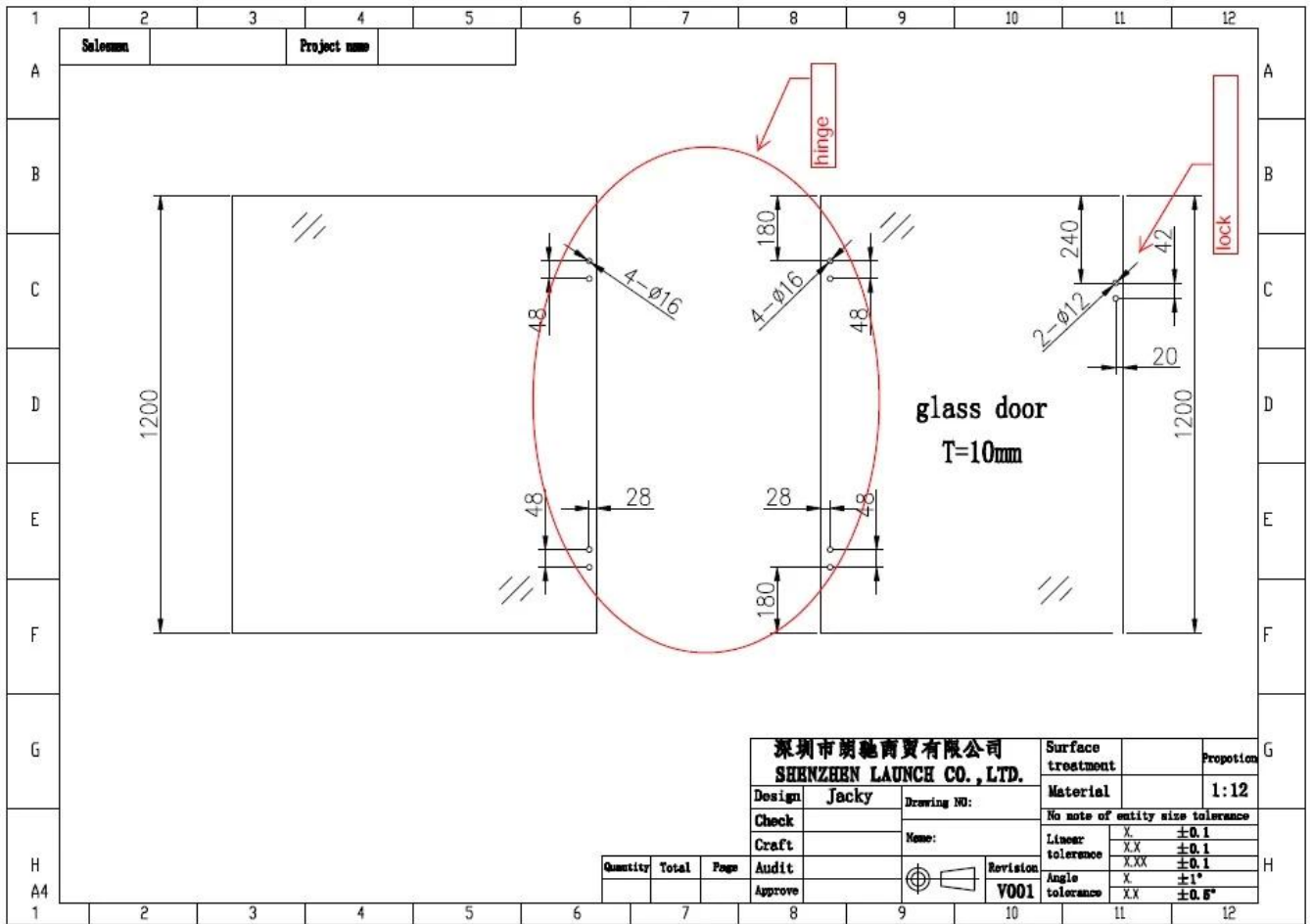


STEP 1
Remove cone and grub screw by turning anticlockwise to reveal tension pin.

STEP 2
Remove grub screw from side of hinge with Allen Key supplied.

STEP 3
Turn the tension pin clockwise to the next hole in tension pin, then tighten the grub screw, repeat this process a Maximum of three times or 360°, Do not over tension.

□□□□□□ □□□□□□ □□□□□□ □□□ □□□-



□□□□□ □□□□□ □ □□□ □□□□□ -
 □□□□□□ □□□□□□ □□ □□□□□□



□□□□□□ □□□□□□ □□□□



□□□□□ □□□□□ □□□□ □□□-



□□□□□□ □□□□ □□□□ □□□□ □□□□



