

Shenzhen Launch 304/316 90°

90°	90°
304/316	304/316
2100	2100
1000	1000
45	45
1 2 =	1 2 =

304/316 90°







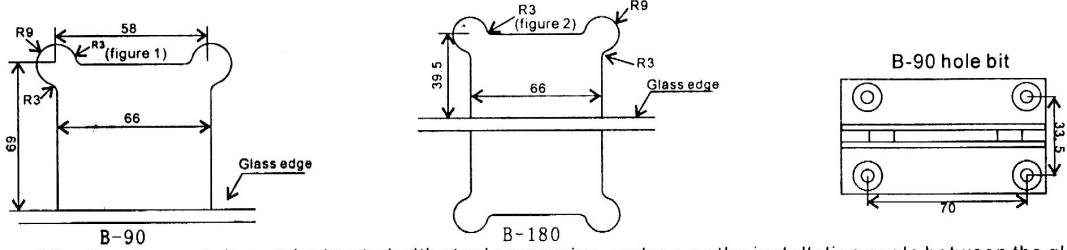
□□□□□ □□□□ □□□ □□□ □□□□□□□ □□□□□□□ □□□□ □□□□□□□ -

B-90 B-180 Hydraulic Buffer Glass Door Hinges' Specification

Application range & glass door parameters :

1. This series of hydraulic glass hinge is suitable for tempered glass door without frame .
2. Suitable for MAX door height $\leq 2100\text{mm}$
3. Suitable for MAX door width $\leq 1000\text{mm}$
4. Glass door thickness : 8-12mm
5. Maximum bearing weight of 45KG/2PCS

Glass door open cut reference graph (figure 1B -90 figure 2B - 180)

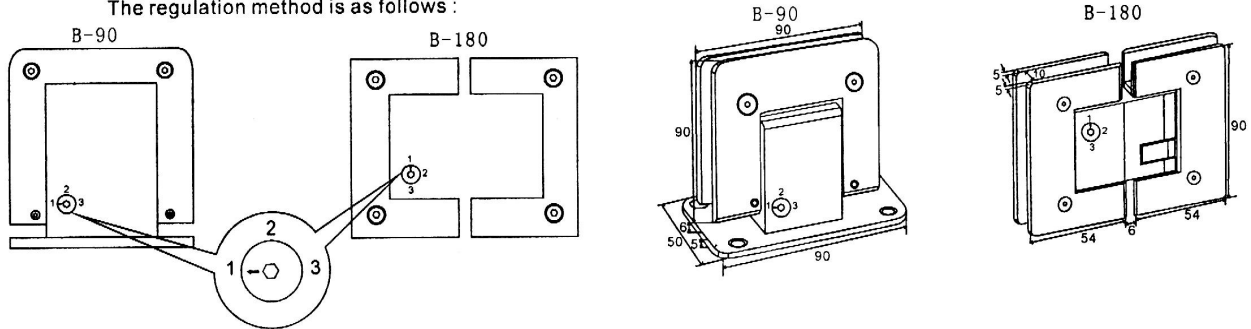


After the glass cut , it must be treated with steel processing , make sure the installation angle between the glass door and the ground is 90°when you install it .

The hydraulic glass door hinge can be adjusted for closing strength for 1 .2 .3 degree

Note:the door must be completely closed before you need to adjust the closing strength .

The regulation method is as follows :



(Twist the arrow to the position of desire strength)

□□□□□□ □□□□□□ -

1 □□□□□□ □□ □□□ 10 □ □□□□ □□□□□ □□ □□□□□□ □□□□□-



