

Table 12-8: Comparison of 304 stainless steel and 304 stainless steel pipe

Material	304 stainless steel pipe, 90 degree bend
Material	304 stainless steel pipe, 90 degree bend
Material	304 stainless steel pipe, 90 degree bend
Material .mm	2100 mm
Material .mm	1000 mm
Material .mm Material .mm	45 mm
Material	304 stainless steel pipe, 90 degree bend, 304 stainless steel pipe, 90 degree bend, 304 stainless steel pipe, 90 degree bend, 304 stainless steel pipe, 90 degree bend.
Material	1 mm 2 = mm

Table 12-8: Comparison of 304 stainless steel and 304 stainless steel pipe  
12-8mm-







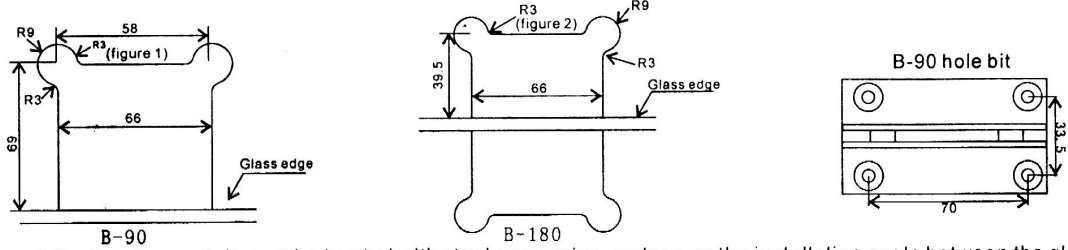
□□□□□□□□□□ □□□□□ □□□□□ □□□□□ □□□□□□□-

# B-90 B-180 Hydraulic Buffer Glass Door Hinges' Specification

Application range & glass door parameters :

1. This series of hydraulic glass hinge is suitable for tempered glass door without frame .
2. Suitable for MAX door height  $\leq 2100\text{mm}$
3. Suitable for MAX door width  $\leq 1000\text{mm}$
4. Glass door thickness : 8-12mm
5. Maximum bearing weight of 45KG/2PCS

Glass door open cut reference graph (figure 1B -90 figure 2B - 180)

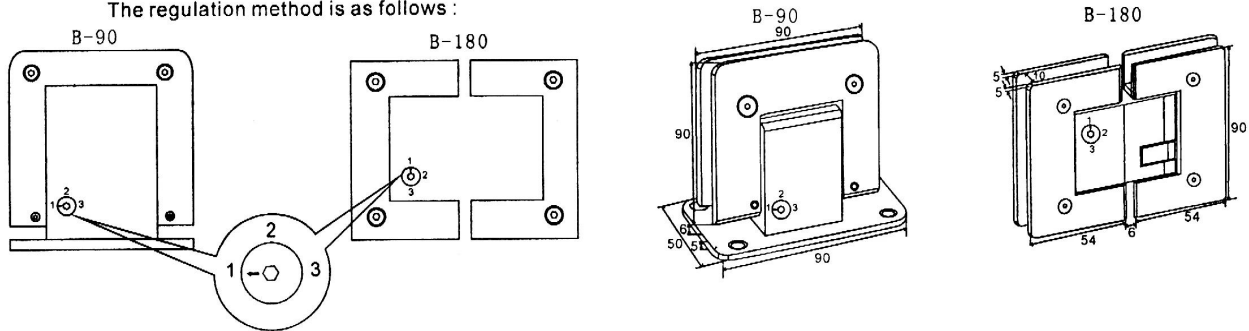


After the glass cut , it must be treated with steel processing , make sure the installation angle between the glass door and the ground is 90°when you install it .

The hydraulic glass door hinge can be adjusted for closing strength for 1 .2 .3 degree

Note:the door must be completely closed before you need to adjust the closing strength .

The regulation method is as follows :



(Twist the arrow to the position of desire strength )

□□□□□□ □□□□□□ -

1 □□□□□□ □□ □□□ 10 □ □□□□ □□□□□ □□ □□□□□□ □□□□□-





□□□□□□□□□□ □□□□□□□□ □□ □□□□□□□□ □□□□□□□□ □□□□□□ □□□□□□ □□□-

