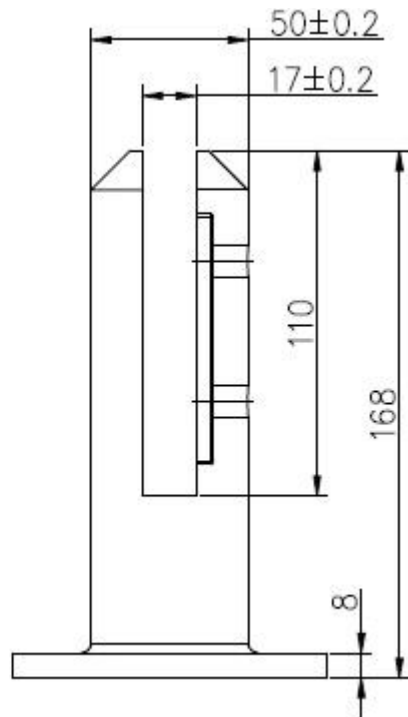
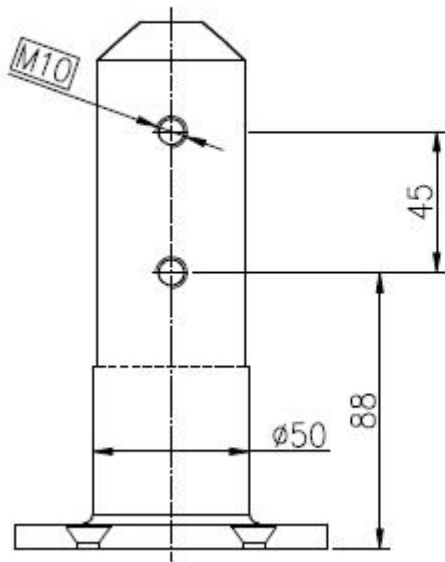


13.52-10 mm diameter hole. .000mm diameter hole. .000mm diameter hole.

Dimensions :

- 316/316 stainless steel material
- 2205 stainless steel material
- for 10-13.52mm diameter hole
- dia50mm * 168 mm + 100 * 100MM base plate
- 1.7 : 0.000KG
- Fitting : 2 pieces
- Application: 2 pieces



Dimensions :

- Square material SBM
- Round material RBM
- Square material SCM
- Round material RCM
- Square material SCM-1
- Round material RCM -1

Dimensions :

Shenzhen Launch Co.,Ltd



www.launch-china.cn

Shenzhen Launch Co.,Ltd



^o^email:sales03@launch-china.cn

Shenzhen Launch Co.,Ltd



www.launch-china.cn

Shenzhen Launch Co.,Ltd



www.launch-china.cn

Shenzhen Launch Co.,Ltd



^o^email:sales03@launch-china.cn

□□□□□□□□ □□□□□□□□:

PE □□□□□□□□ + □□□□ □□□□ □□□□ + □□□□ □□□□□□

10 □□□□□□□□ □□ □□□□□□□□ 12 □□