

adjustabl

:

1.product (P707)

2.MATERIAL: SS304 SS316

3.finish:

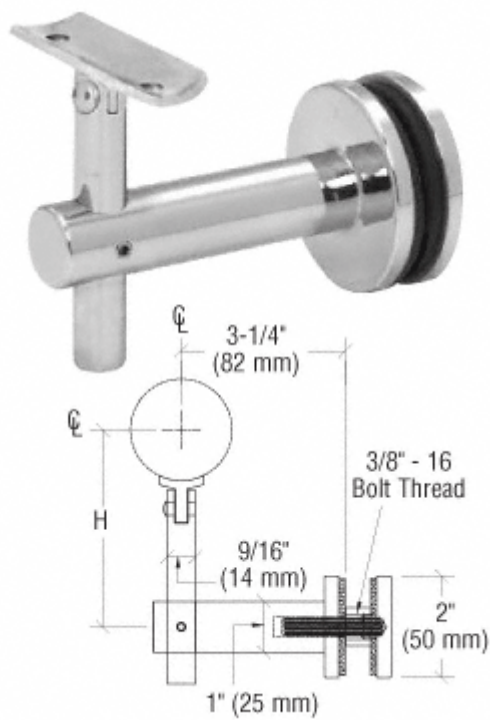
4.function:

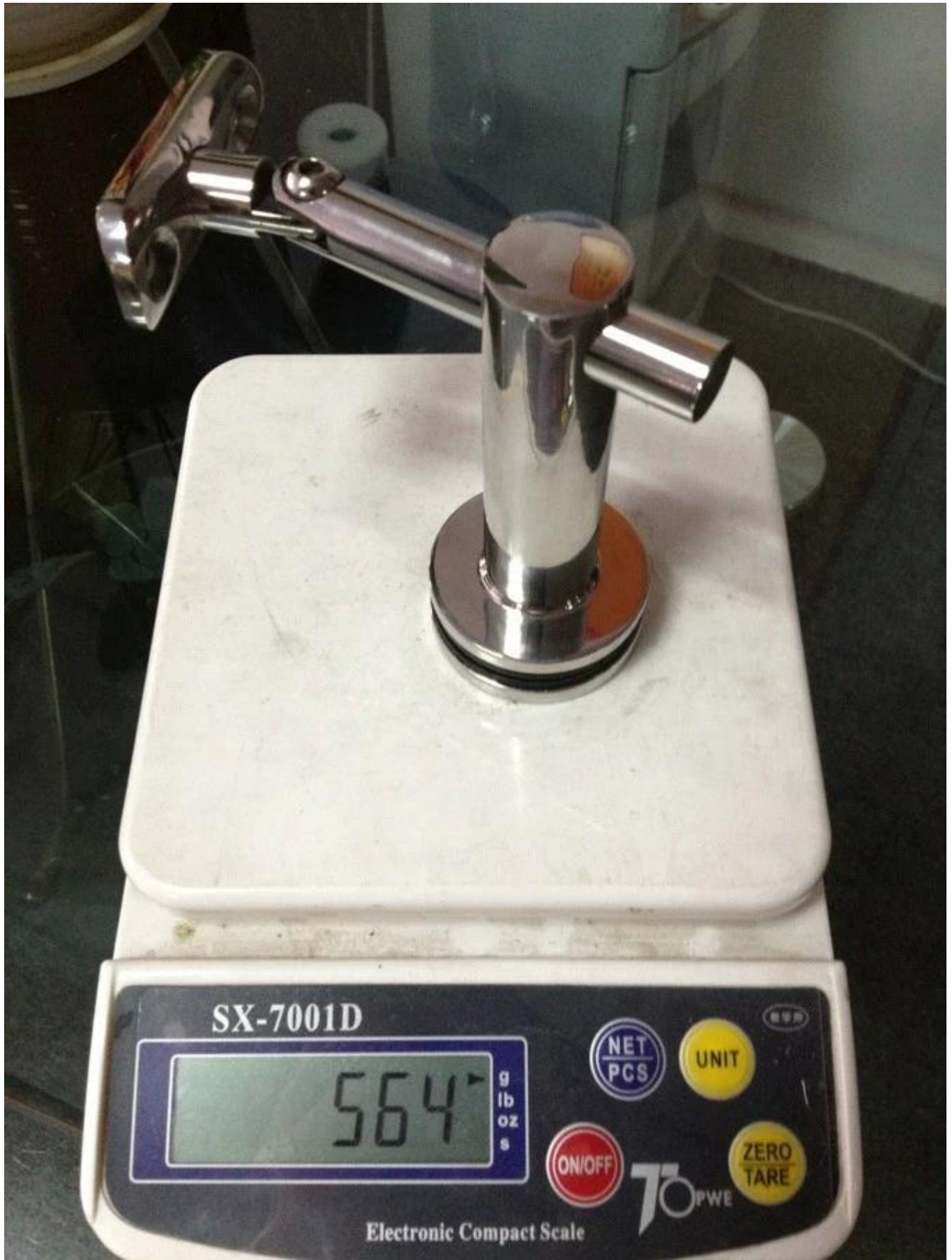
5 .no

6.15-10 :mm

7.technology:

P707





SX-7001D

564 g  
lb  
oz  
s

NET  
PCS

UNIT

ON/OFF

ZERO  
TARE

70PWE

Electronic Compact Scale



***Shenzhen Launch Co.,Ltd***



***[www.launch-china.cn](http://www.launch-china.cn)***

# ***Shenzhen Launch Co.,Ltd***



***[www.launch-china.cn](http://www.launch-china.cn)***