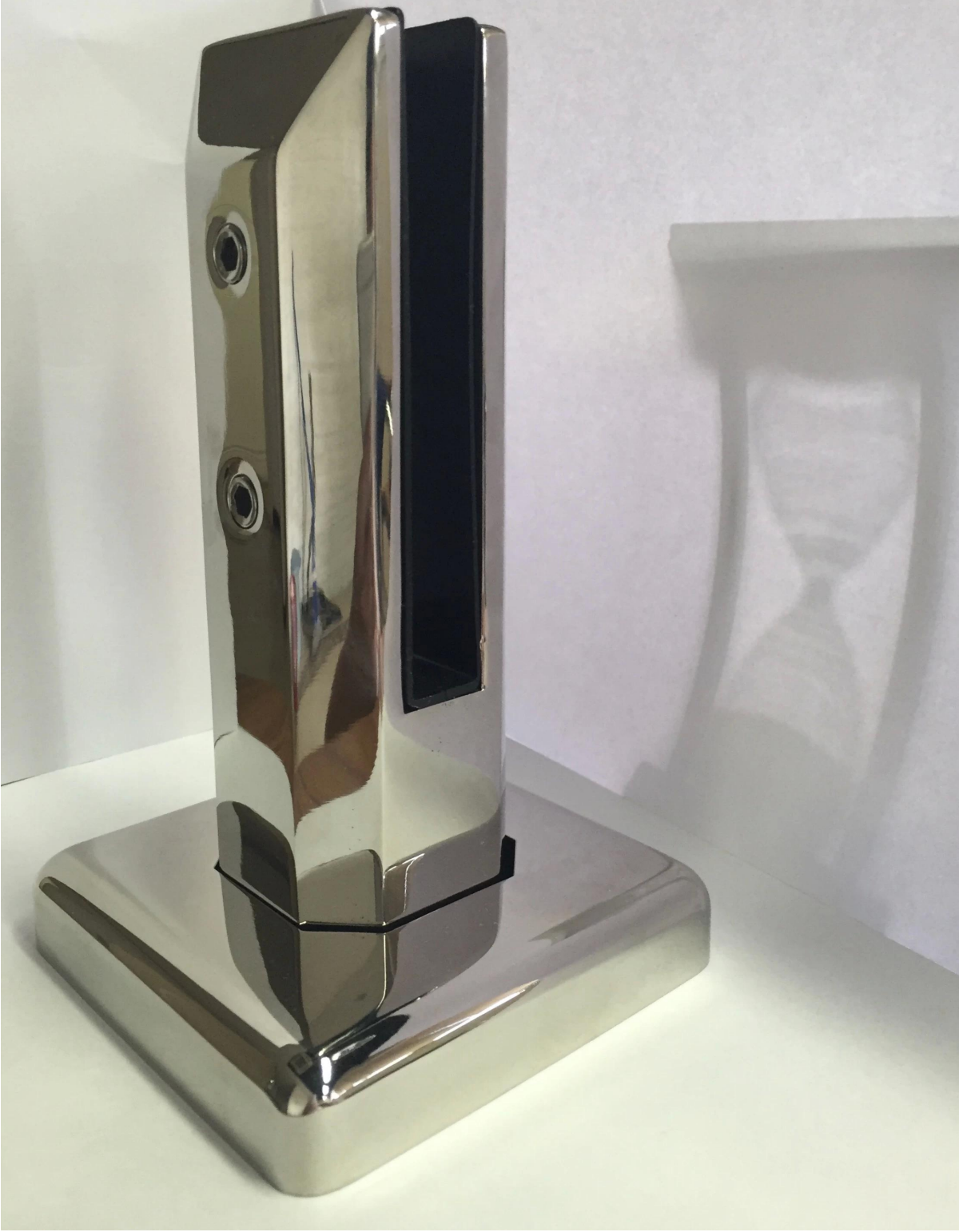


معظم 4 أنواع شعبية

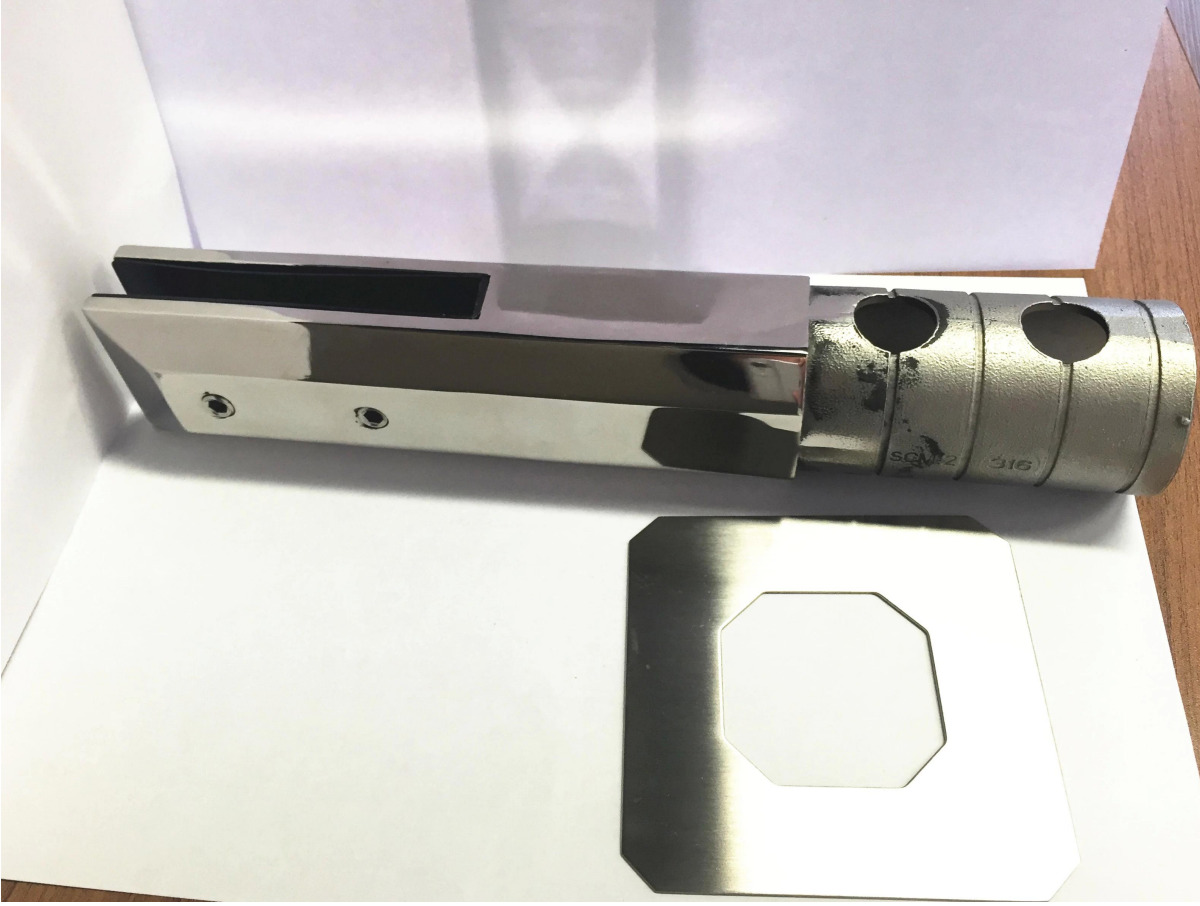
(قاعدة مربعة لوحة حنفية) SBM-2



(الإدارة القائمة على النتائج-2) (الجملة قاعدة لوحة حنفية)



(الأساسية مربع حفر حنفية) SCM-2



(جولة الأساسية الحفر حنفية) RCM-2











التعبئة والتغليف وأمبير. خدمه توصيل







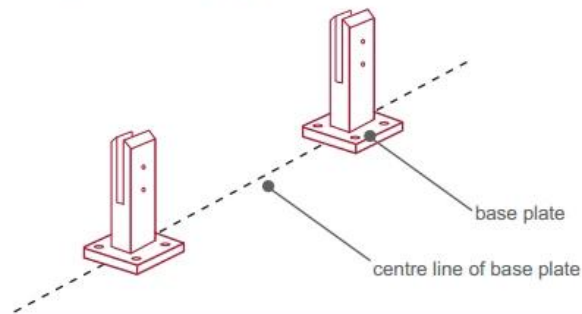
## تركيب



### fixing method: base plate spigots

Mark out the centre line of proposed glass fence with a chalk line. Determine clamp location based on a sheet size (recommendation on pages 1 & 2). Use base plate as a template to mark out the hole positions and drill holes to suit.

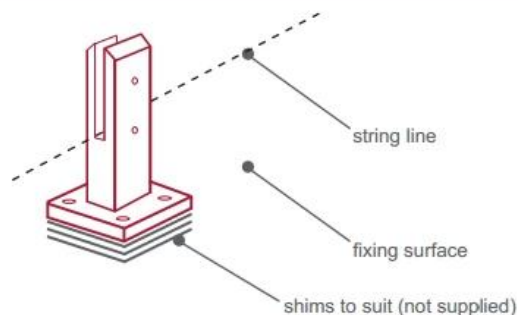
**Note:** Do not exceed 100mm gaps between glass panels. Optimum gap is 40mm to 60mm



Now the base plated spigots can be fitted to the floor and plumbed via shims (not supplied) under the base plates. Be sure to tighten firmly as the smallest of movement at the base plate will result in noticeable movement at the bottom of the glass fence.

**Tip:** By setting the two outer spigots of your total span, a string line can be run in the 'throat' of the spigots, giving correct height for all spigots in between

**Note:** Do not exceed 100mm gap from the fixing surface to the bottom of the glass







## الزيائن



## شهادة



اتصال:

البريد الإلكتروني: دوريس العلامة & It: sales04@launch-china.cn

سكايب: launch\_04