

Kabelgländer-Hardware-Kabelspanner aus Edelstahl 316 für 3-5 mm-Kabel, umlaufender Kabelspanner, keine hydraulischen Crimper erforderlich.

Features-

Artikel	Kabelgländer, Kabelspanner
Kabeldurchmesser	3 mm 4 mm 5 mm
Anwendung	Stahlpfosten / Holzpfosten
Art	swageless
Material	Edelstahl 316 / 304SS
MOQ	50 Paare

Fotos von T803 Kabelspanner -



T803 Seilspanner mit Bolzen / Holzschraube

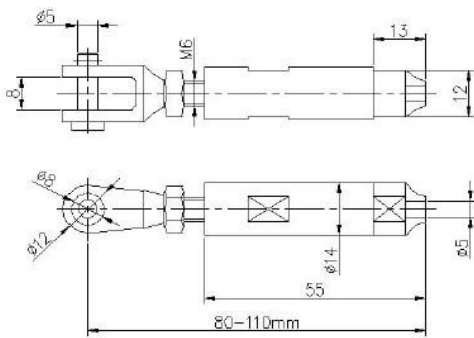


T803



T803 Seilspanner Zeichnung

Model: T803



SWAGELESS TYPE CABLE TENSIONER



Wir haben auch andere Arten von Kabelspanner für Ihre Auswahl -
T804 Seilspanner, für 4-5 mm Kabel



T807A Kabelhalter, hauptsächlich für kleine Kabel mit 3 mm Durchmesser



T807A

Projektfotos von Kabelgeländern mit Seilspanner -

Project Photos





Firmenprofil-

Shenzhen Launch Co., Ltd was established in 2004, located at Nanshan District, Shenzhen, and one hour by car from Hongkong International Airport. Our main product is high-grade building materials includes stainless steel balustrade post, staircase handrail, balcony guardrail, swimming pool fence and other high-grade building materials. All the products are designed strictly according to the high-end market requirements. We have our own factory in Tangxia Town, Dongguan, has a variety of precision equipment more than 50 sets: CNC lathe, milling machine, punching machine, pipe cutter, argon welder, drilling machine, polisher, etc. which can provide customers with complete product processing services. With the German SPECTRO Spectrometer, we insist on testing every batch of materials to ensure that the material is highly qualified. We also have hardness gauge, secondary element and other test equipment to ensure the products meets customers' requirements.

ABOUT US



OUR ADVANTAGE

Please do not hesitate to contact us if you have any requirement regarding our production lines, you can expect a timely reply with professional solutions!



Own factory, shortest lead time.



Can help customers design product drawings based on customer ideas and design engineering installation drawing according to the customer site sketch.



Sample order, trial order acceptable.



Provide material test report to ensure that the material is qualified.



13 years of industry experience, we can help customers recommend the best solution to help customers save cost.

OUR FACTORY

More than 13 years experience in hardware industry design and processing, we can provide customized services from design to the sample and small batch trial production.



OUR CERTIFICATE

With premium quality, competitive price and superior service, we won a lot of customers' favor.
Our products are popular in North America, European and Australia.



PRODUCTION PROCESS



Casting



CNC lathe



CNC Milling



Stamping



Drilling & Tapping



Polishing



PACKAGING & DELIVERY

