

## Glasabstandshalter, Glasabstandsbolzen, Glaswandabstand

### Spezifikationen:

Produktname	Glasabstandshalter, Glasabstandsbolzen, Glaswandabstand
Material	Edelstahl 304/316
Anderer Name	Glasabstand, Abstandsgeländer aus Glas
Fertig	Spiegel poliert oder satiniert
Glasabstandsgröße	50x12mm Kappe, 50x30mm Körper, M12 * 120mm Schraube, Silikongummidichtung
Für Glasdicke	12-19mm oder wie pro anforderungen der kunden
Gebohrttes Glasloch	Durchmesser 14 mm in Glas erforderlich
Nettogewicht	750g / Stück
Montage	Wandmontage / Seitenmontage / Blendenmontage
MOQ	10 Stück
Probe	Verfügbar
OEM & ODM-Dienst	Akzeptabel
Anwendung	Design von Innen- und Außentreppen, Balkongeländer, rahmenlose Glasgeländer an Deck, Juliet-Balkondesign, schwebende Treppe
Fabrik Inspektion	Verfügbar

**Durchmesser 50 mm** Glas Standoff / Taste ein **Satin Finish**:



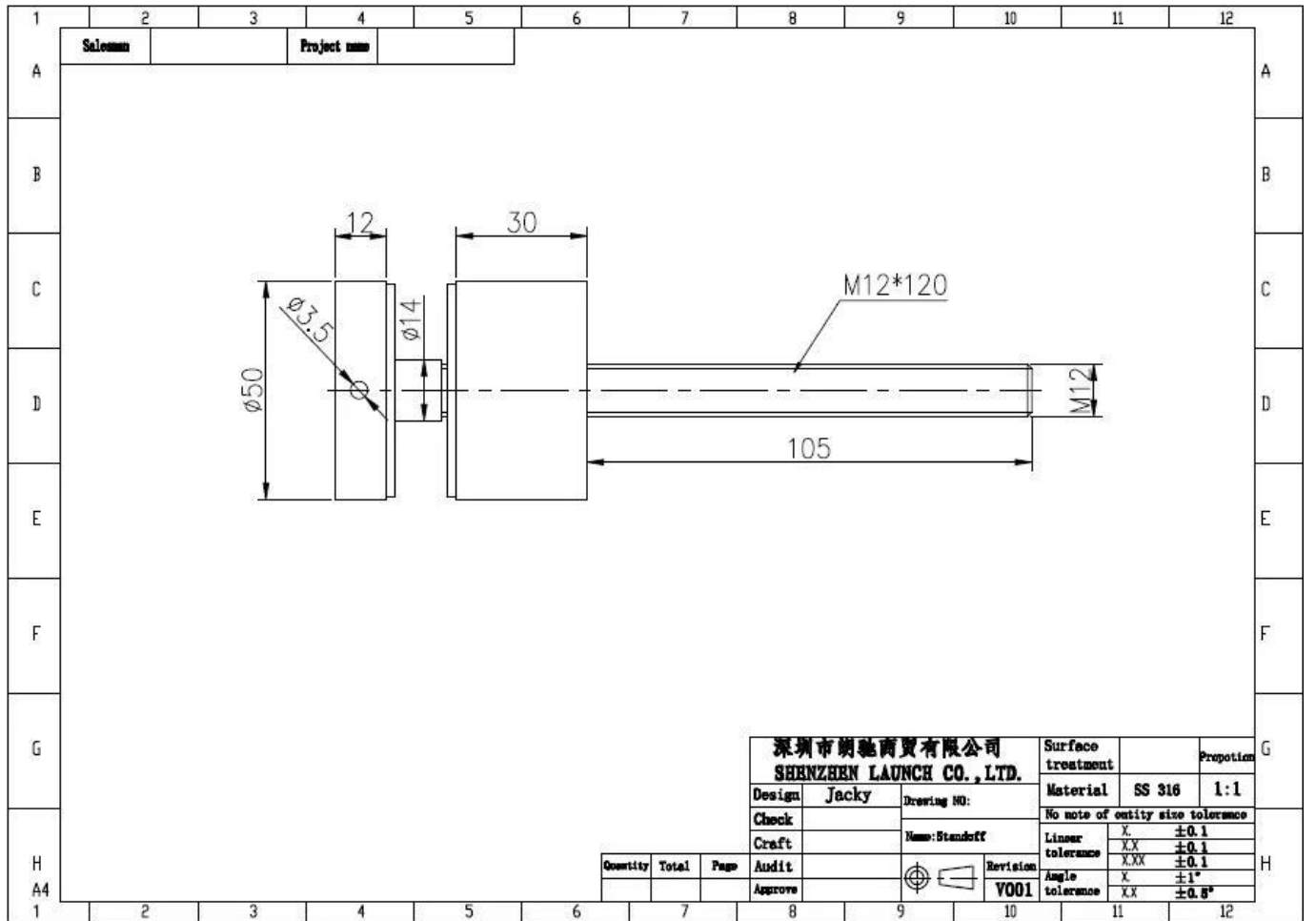
**Durchmesser 50 mm** Glas Standoff / Taste ein **Spiegel-Finish**:

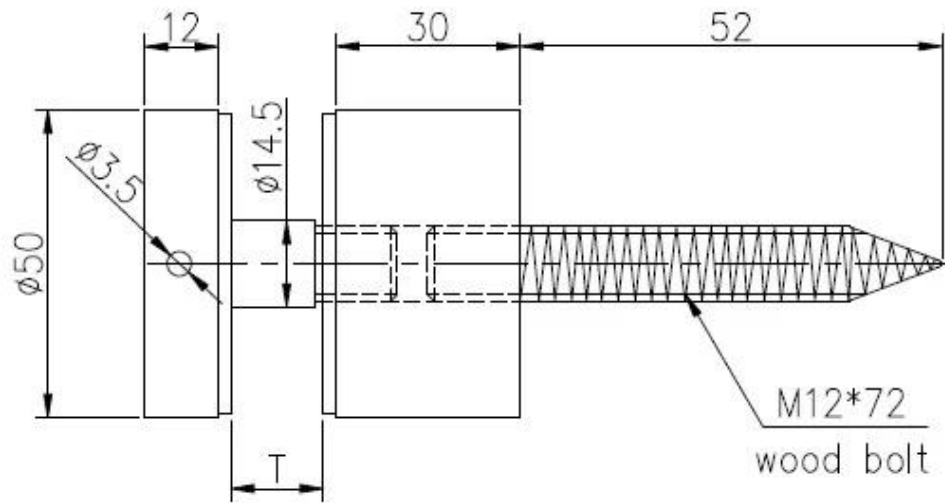


**Mit Holzschraube zur Montage auf Holzuntergrund:**



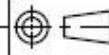
**Technische Zeichnung:**





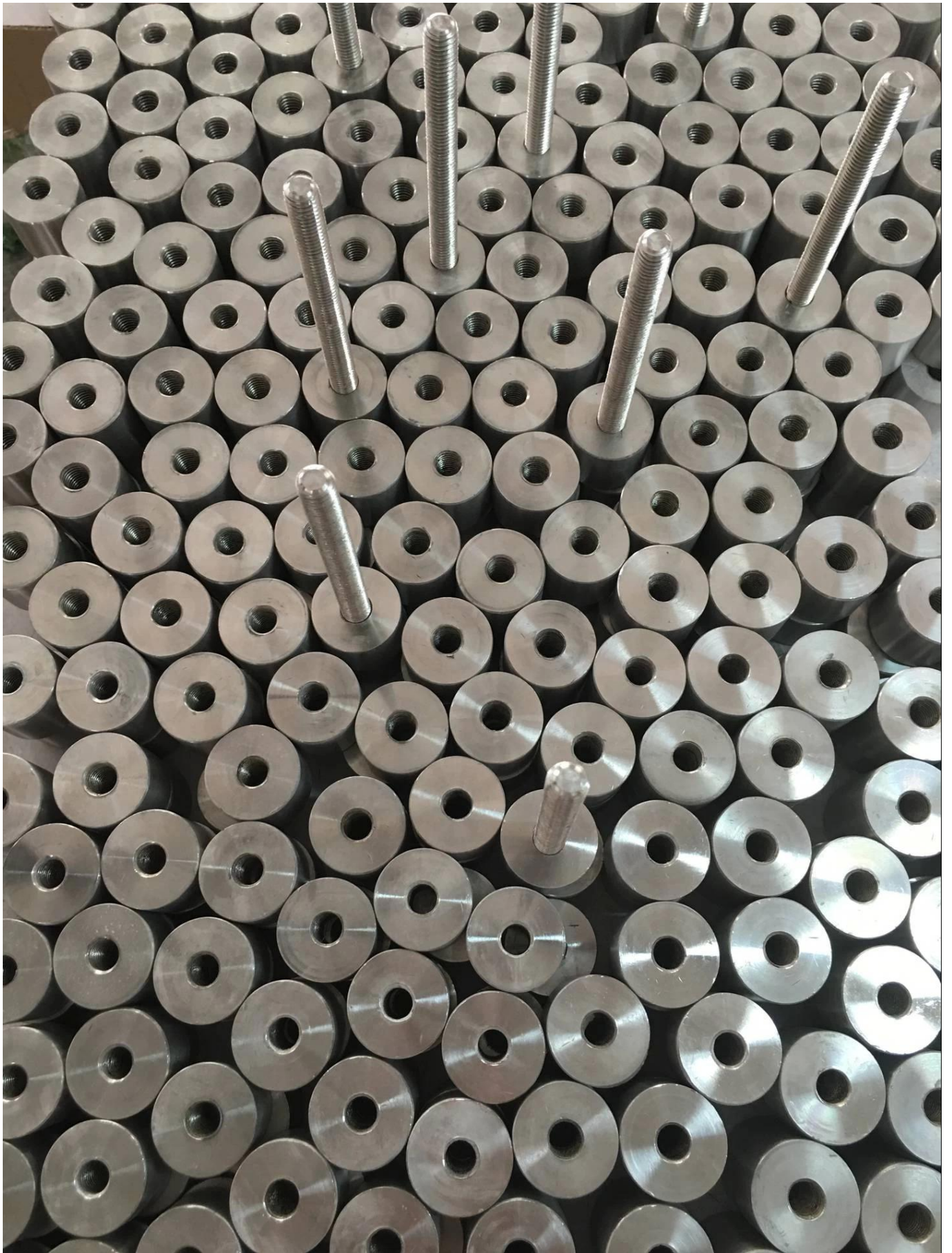
<b>深圳市朗馳商貿有限公司</b> <b>SHENZHEN LAUNCH CO., LTD.</b>			Surface treatment		Propor
Design	Jacky	Drawing NO: SF-68	Material		1:1
Check		Name: Standoff	No note of entity size tolerance		
Craft			Linear tolerance	X. ±0.1	
Audit			X.X ±0.1	X.XX ±0.1	
Approve			Angle tolerance	X. ±1°	
			X.X ±0.5°		

Quantity	Total	Page



Revision  
V001













**Projektfotos:**

Balustradensystem aus rostfreiem Stahl





**Abstandshalter aus Edelstahl für rahmenlose Glasgeländer**



**Abstandshalter aus Edelstahl, Halterung für Treppengeländer**





Firmeninfo:



Shenzhen Launch Co., Ltd was established in 2004, located at Nanshan District, Shenzhen, and one hour by car from Hongkong International Airport. Our main product is high-grade building materials includes stainless steel balustrade post, staircase handrail, balcony guardrail, swimming pool fence and other high-grade building materials. All the products are designed strictly according to the high-end market requirements. We have our own factory in Tangxia Town, Dongguan, has a variety of precision equipment more than 50 sets: CNC lathe, milling machine, punching machine, pipe cutter, argon welder, drilling machine, polisher, etc. which can provide customers with complete product processing services. With the German SPECTRO Spectrometer, we insist on testing every batch of materials to ensure that the material is highly qualified. We also have hardness gauge, secondary element and other test equipment to ensure the products meets customers' requirements.

## ABOUT US



# OUR ADVANTAGE

Please do not hesitate to contact us if you have any requirement regarding our production lines, you can expect a timely reply with professional solutions!



Own factory, shortest lead time.



Can help customers design product drawings based on customer ideas and design engineering installation drawing according to the customer site sketch.



Sample order, trial order acceptable.



Provide material test report to ensure that the material is qualified.



13 years of industry experience, we can help customers recommend the best solution to help customers save cost.

# OUR FACTORY

More than 13 years experience in hardware industry design and processing, we can provide customized services from design to the sample and small batch trial production.







# PRODUCTION PROCESS



Casting



CNC lathe



CNC Milling



Stamping



Drilling & Tapping

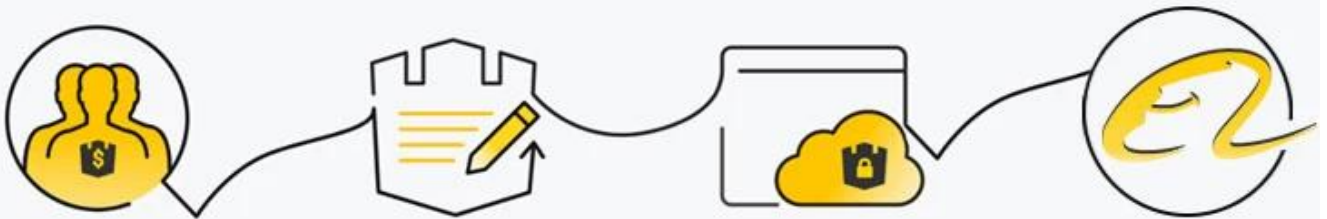


Polishing



# PAYMENT & TRANSPORTATION

Welcome Alibaba Trade Assurance Order!



1 Start an order

2 Negotiate terms with our sales service & confirm order

3 Make payment

4 Alibaba provide full assurance



**Kontaktieren Sie uns jetzt für weitere Informationen!**



**E-Mail: [sales03@launch-china.cn](mailto:sales03@launch-china.cn)**

**Mob: +8615907334556**